

# DIGITAL PRESSURE TRANSMITTER DPG PT

## FEATURES

The DPG  $\varnothing$  80 pressure gauge is intended for measuring, displaying and transmitting pressure signals. The stainless steel fitting on the process side, makes it possible to use it on compatible industrial fluids. The parameters of the backlit display can be set. The transmission of the pressure signal takes place with 4-20 mA. Vertical connection.

## AVAILABLE MODELS

G 1/4" M cylindrical, vertical connection.

24V DC power supply and 4-20mA. Feedback through 3-wire electrical cable - length = 1m



## LIMITS OF USE

<b>Fluid WP:</b>	According to the scale Admissible overpressure: 30% of the scale
<b>Fluid WT°:</b>	-10°C / +200°C
<b>Ambient temperature:</b>	-10°C / +75°C



## PRECISION CLASS

+/- 1 % of the scale.

## MEASUREMENT SCALES

No.	Range in bar	Range in psi
4	0 / 4	0 / 58
6	0 / 10	0 / 145
7	0 / 20	0 / 290

## DISPLAY UNITS

bar	psi	kg/cm <sup>2</sup>
MPa	KPa	

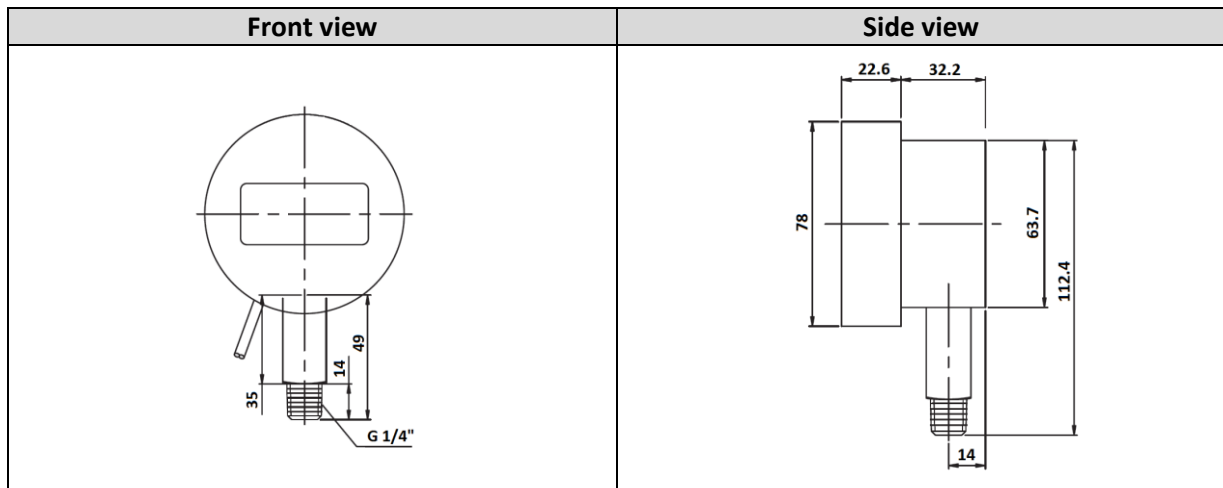
Information given as an indication only, and subject to possible modifications

# DIGITAL PRESSURE TRANSMITTER DPG PT

## CONSTRUCTION

Nr.	Item	Material
2	Box	ABS
3	Vertical fitting	AISI 316 SS

## DIMENSIONS (mm)



## DIRECTIVE AND MANUFACTURING STANDARDS

Fabrication	ISO 9001: 2008
Connection	ISO 228

## MOUNTING ON SEPARATOR

If a DPG transmitter is used on corrosive, viscous or crystallising fluids, it can be mounted on different types of separators:

DT 110	DT 108	DT 122
removable	welded	removable
threaded fitting	threaded fitting	flange fitting

Filling can made with the following liquids:

- Silicone oil, **WT**: -50°C/+200°C,
- FDA edible glycerine.

Please contact us.

Information given as an indication only, and subject to possible modifications

# DIGITAL PRESSURE TRANSMITTER DPG PT

## ACCESSORIES

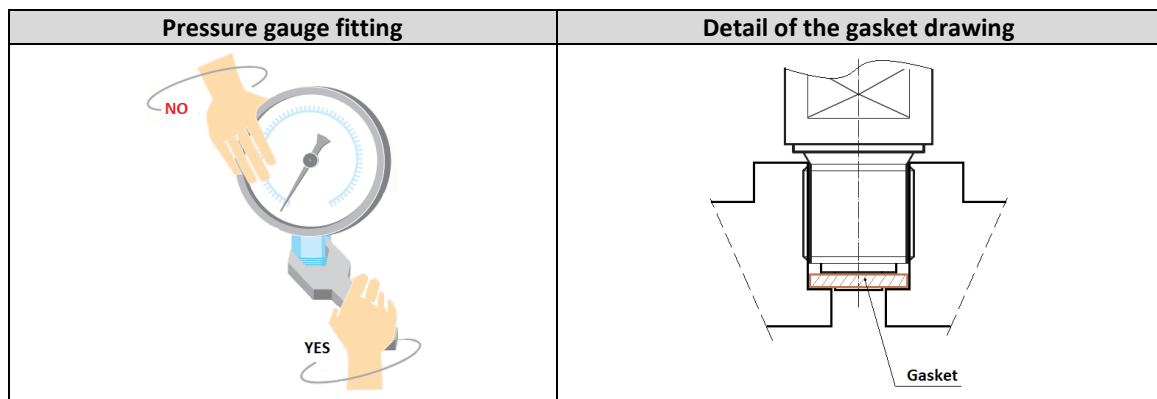
The following accessories can be used with the DPG pressure transmitters.

siphon	damper	needle valve	ball valve
SY	D1	RPM	MIGNON
			

Please contact us.

## ASSEMBLY INSTRUCTIONS

1. Plan the reading in a part of the pipe installation or of the tank where the flow is uniform and undisturbed.
2. If the fluid is loaded, viscous or crystallising, provide a diaphragm separator.
3. Check that the measuring range for the pressure to be measured is in accordance with the scale of the DPG pressure transmitter.
4. Check that the fluid temperature is compatible with that of the transmitter's operation. If need be, provide a separator or a siphon.
5. Provide an isolation valve between the transmitter and the pressure reading, to be able to perform its maintenance.
6. Provide a glycerine filling and a damper, when vibrations are present on the installation.
7. Use a flat gasket suitable for the fluid to provide leak-tightness for the transmitter's fitting.
8. When screwing on the transmitter, do not hold it by the dial, but use a flat spanner on the fitting as shown in the diagram below.
9. If a hydrostatic test is carried out on the installation, do not exceed the pressure intended for the transmitter. Otherwise, close the isolation valve or remove the transmitter.
10. During commissioning, slowly open the isolation valve to prevent water hammer which can damage the transmitter.

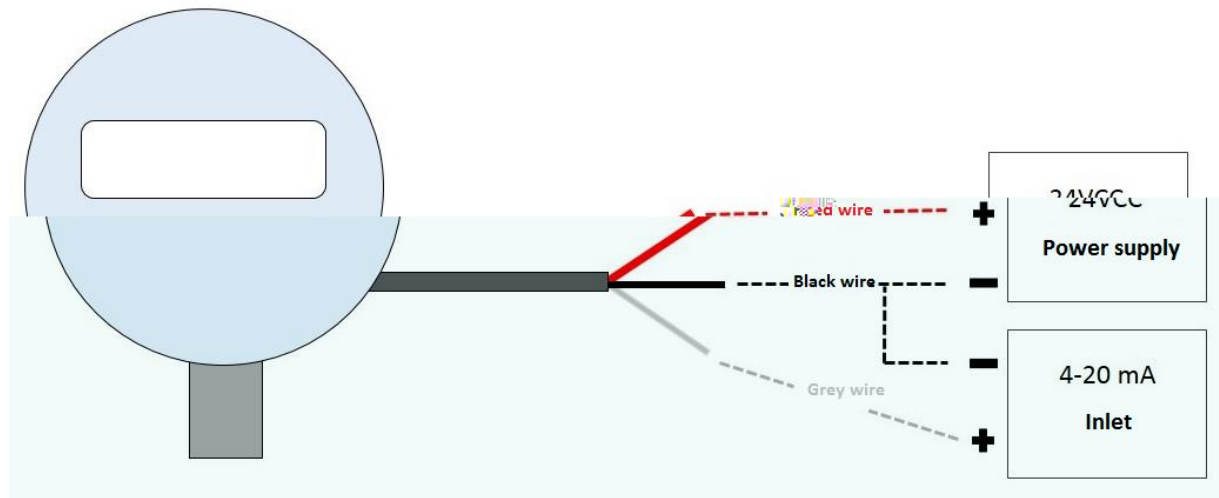


Information given as an indication only, and subject to possible modifications

# DIGITAL PRESSURE TRANSMITTER DPG PT

## OPERATION

### 1. Wiring diagram



2. To display the pressure, it is necessary to connect the 4-20mA grey wire to its use.
3. Never connect the grey wire to one of the 24V DC power supply terminals.
4. Parameter setting

<p><b>4.1 How to select a display unit</b> The unit set by default at the factory is indicated on the device. If you want to change the unit, press the “CVT” button for more than 3 s.</p>	
<p><b>4.2 Zero setting</b> If resetting is necessary, make sure that the pressure to be measured is at atmospheric. Press the “SET” button for more than 3 s.</p>	
<p><b>4.3 How to use the tare</b> In hydraulic weighing applications, it can be necessary to reset the measurement. To do so, press the “SET” button for more than 3 s.</p>	
<p><b>4.4 How to record pressure peaks</b> Press the “P-H” key. In this mode, only the value of the last pressure peak is displayed. To return to the normal mode, press on the “P-H” mode again. The value of the last pressure peak is stored in the memory until the transmitter is disconnected.</p>	

Information given as an indication only, and subject to possible modifications