

STAINLESS STEEL PRESSURE GAUGE WITH GLYCERINE Ø 100



EWC



Size : Diameter 100
Ends : Male BSP
Min Temperature : + 0°C
Max Temperature : + 60°C
Pressure : From -1 to 60 Bars
Specifications : All stainless steel
Stainless steel mechanism
With glycerine
Safety glass

Materials : SS 304 box

STAINLESS STEEL PRESSURE GAUGE WITH GLYCERINE Ø 100**SPECIFICATIONS :**

- All stainless steel
- Stainless steel mechanism
- With glycerine
- Safety glass
- 1 Class
- Protection IP65
- Bottom connection BSP threaded
- With vent security

USE :

- Not for viscous or crystallizing liquid
- Min and max Temperature Ts : 0°C to +60°C

RANGE :

- All stainless steel pressure gauge with glycerine Ø 100 with 1/2" BSP bottom connection , range from -1/+1 to 0/60 bars **Ref. 1618**
- All stainless steel pressure gauge with glycerine Ø 100 with 1/2" BSP back connection , range from -1/+1 to 0/60 bars **Ref. 1628**

ACCESSORIES :

- Front stainless steel flange with 3 holes at 120° for back connection type **1628**
 - Ø 100 **Ref. 9880112**



- Steel support with screws
 - Ø 100 **Ref. 9880012**



- SS curl PN20 Male / Female BSP
 - DN 1/2" **Ref. 9880208**



- 250 ml glycerine bottle **Ref. 9880401**

STAINLESS STEEL PRESSURE GAUGE WITH GLYCERINE Ø 100
GRADUATIONS :

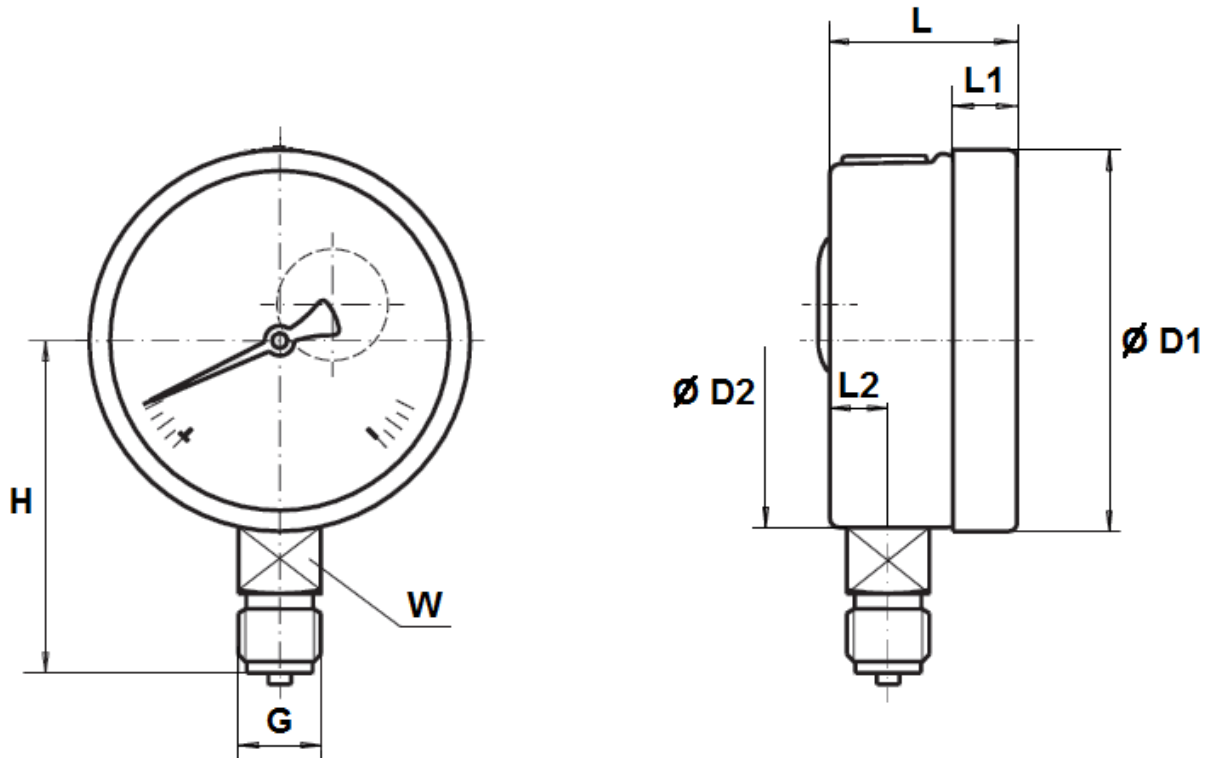
| Range (bar) | Graduation (bar) |
|-------------|------------------|
| -1 / +1 | 0,05 |
| 0 / 1,6 | 0.02 |
| 0 / 2,5 | 0.05 |
| 0 / 4 | 0,1 |
| 0 / 6 | 0,1 |
| 0 / 10 | 0,2 |
| 0 / 16 | 0,2 |
| 0 / 25 | 0,5 |
| 0 / 40 | 1 |
| 0 / 60 | 1 |

MATERIALS :

| DESIGNATION | MATERIALS |
|-------------|--------------|
| Box | SS 304 |
| Fitting | SS 316 |
| Mechanism | SS 316 |
| Dial | Aluminium |
| Glass | Safety glass |
| Needle | Aluminium |

STAINLESS STEEL PRESSURE GAUGE WITH GLYCERINE Ø 100

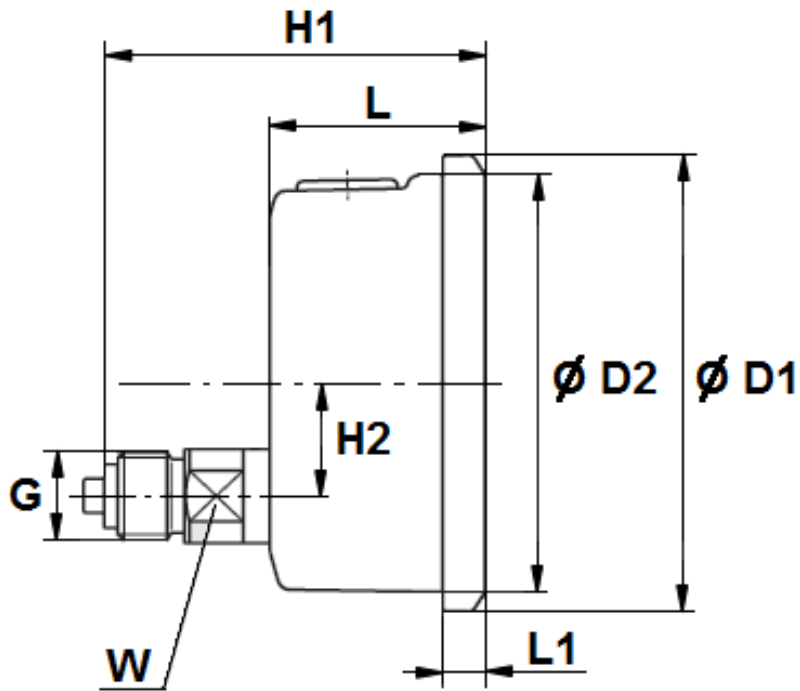
SIZE FOR BOTTOM CONNECTION TYPE REF. 1618 (in mm):



| Ref. | DN | 100 |
|------|---------------|----------|
| 1618 | Ø D1 | 100.8 |
| | Ø D2 | 98.6 |
| | H | 90 |
| | G | 1/2" BSP |
| | L | 48 |
| | L1 | 14.5 |
| | L2 | 16 |
| | W | 22 |
| | Weight (Kg) | 0.768 |

STAINLESS STEEL PRESSURE GAUGE WITH GLYCERINE Ø 100

SIZE FOR BACK CONNECTION TYPE REF.1628 (in mm):



| Ref. | DN | 100 |
|------|---------------|----------|
| 1628 | Ø D1 | 112.5 |
| | Ø D2 | 101 |
| | H1 | 86 |
| | H2 | 30.6 |
| | G | 1/2" BSP |
| | L | 47.50 |
| | L1 | 14.20 |
| | W | 22 |
| | Weight (Kg) | 0.76 |

STAINLESS STEEL PRESSURE GAUGE WITH GLYCERINE Ø 100**STANDARDS :**

- Fabrication according to ISO 9001 : 2008
- Designing according to EN 837-1
- DIRECTIVE 97/23/CE : Products excluded from directive (article 3, § 3)

ADVICE : Our opinion and our advice are not guaranteed and lauridsen industri shall not be liable for the consequences of damages. The customer must check the right choice of the products with the real service conditions.