

VALVES WITH EXHAUST HOLE FOR GAUGES

ISO 9001 : 2008



Size : DN 1/4" to 1/2"
Ends : Male, Female BSP
Min Temperature : - 10°C
Max Temperature : + 90°C
Max Pressure : 16 Bars
Specifications : With exhaust hole
Reduced bore

Materials : Brass

VALVES WITH EXHAUST HOLE FOR GAUGES

SPECIFICATIONS :

- With exhaust hole
- Reduced bore

USE :

- Not for viscous or crystallizing liquid
- Min Temperature Ts : - 10 °C
- Max Temperature Ts : + 90°C
- Max Pressure PN : 16 bars

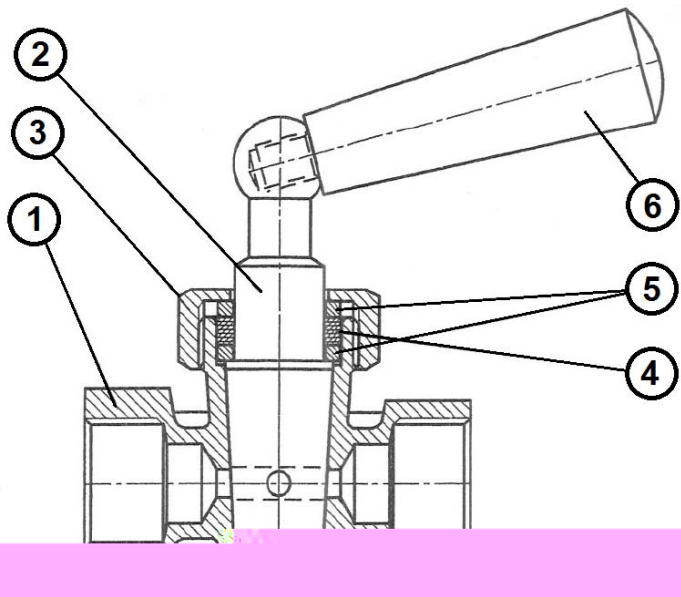
RANGE :

- Female / Female threaded BSP **Ref. 1305** from 1/4" to 1/2"
- Male / Female BSP **Ref. 1306** from 1/4" to 1/2"
- Male / Female BSP flanged **Ref. 1307** from 1/4" to 1/2"

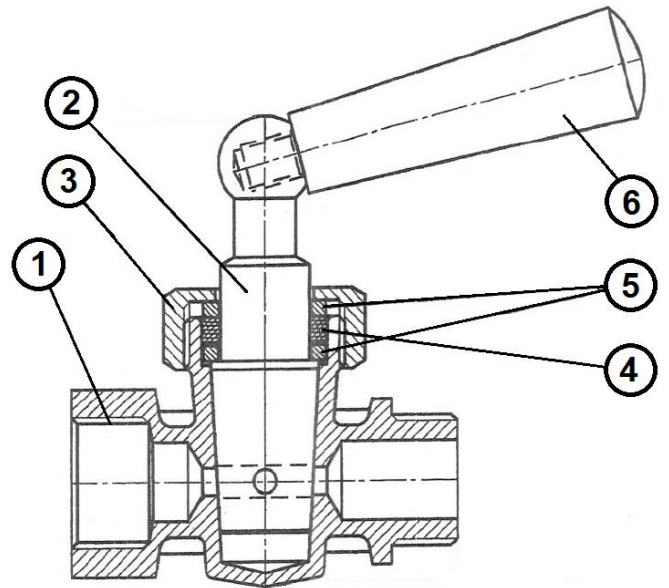
VALVES WITH EXHAUST HOLE FOR GAUGES

MATERIALS REF. 1305 AND REF. 1306 :

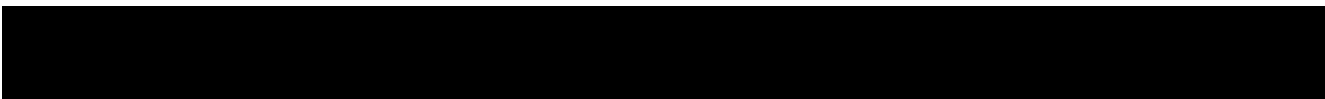
REF. 1305



REF. 1306

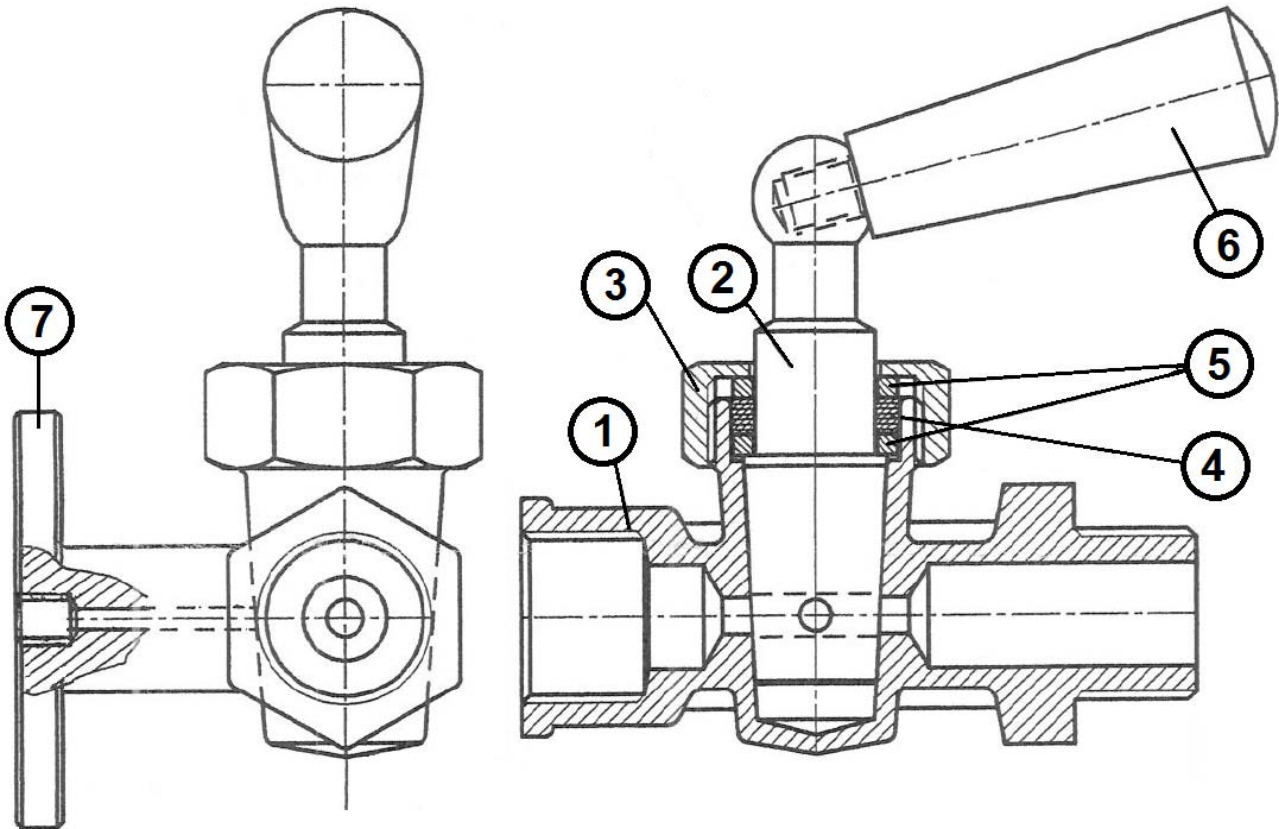


Item	Designation	Materials Ref.1305 and 1306
1	Body	Brass CW 617 N according to EN 12165
2	Stem	Brass CW 614 N according to EN 12164
3	Bonnet	Brass CW 617 N according to EN 12165
4	Packing	CHEMITON® GSFONA92
5	Packing gland	Brass CW 614 N according to EN 12164
6	Handle	Polypropylene



VALVES WITH EXHAUST HOLE FOR GAUGES

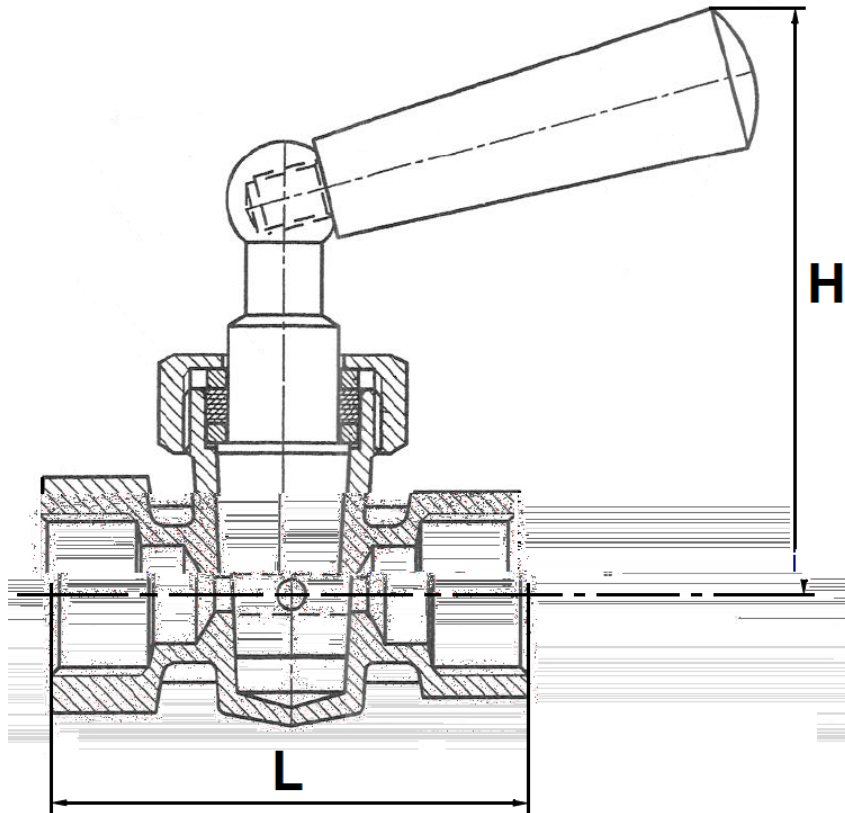
MATERIALS REF. 1307 :



Item	Designation	Materials Ref. 1307
1	Body	Brass CW 617 N according to EN 12165
2	Stem	Brass CW 614 N according to EN 12164
3	Bonnet	Brass CW 617 N according to EN 12165
4	Packing	CHEMITON® GSFONA92
5	Packing gland	Brass CW 614 N according to EN 12164
6	Handle	Polypropylene
7	Flange	Brass CW 614 N according to EN 12164

VALVES WITH EXHAUST HOLE FOR GAUGES

SIZE FEMALE / FEMALE TYPE REF.1305 (in mm):

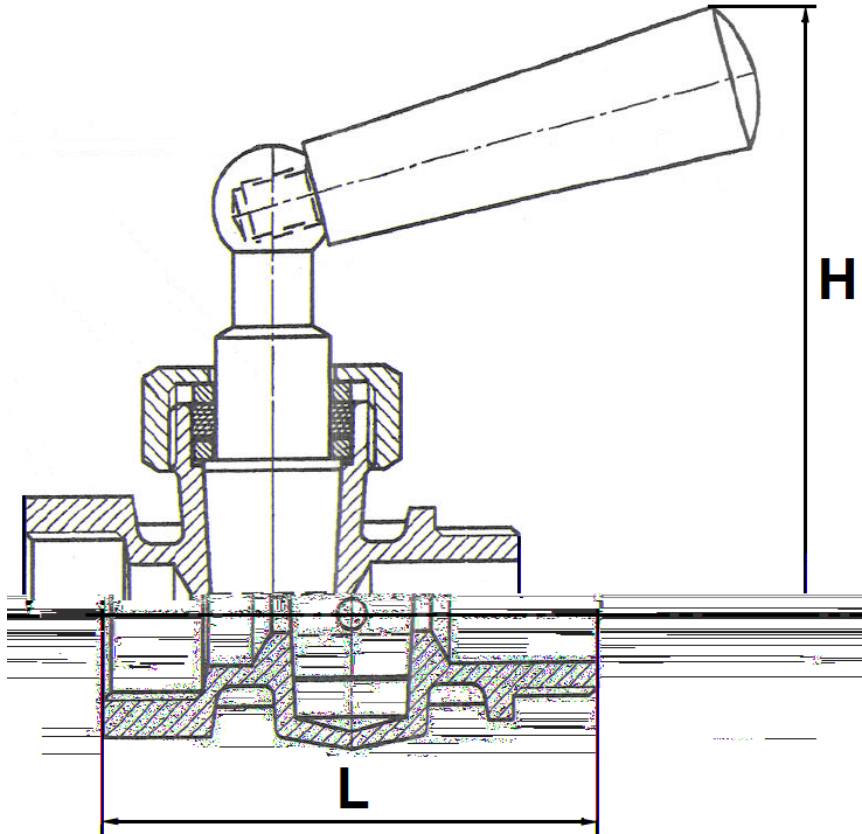


Ref.	DN	1/4"	3/8"	1/2"
1305	L	46	50	56
	H	73	73	73
	Weight (Kg)	0.13	0.14	0.175

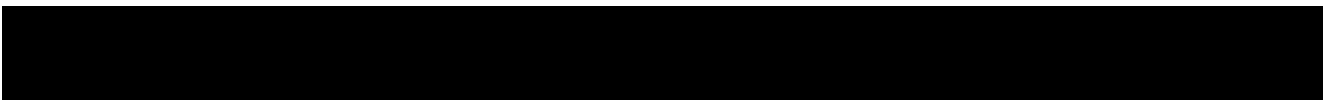


VALVES WITH EXHAUST HOLE FOR GAUGES

SIZE MALE / FEMALE TYPE REF.1306 (in mm):

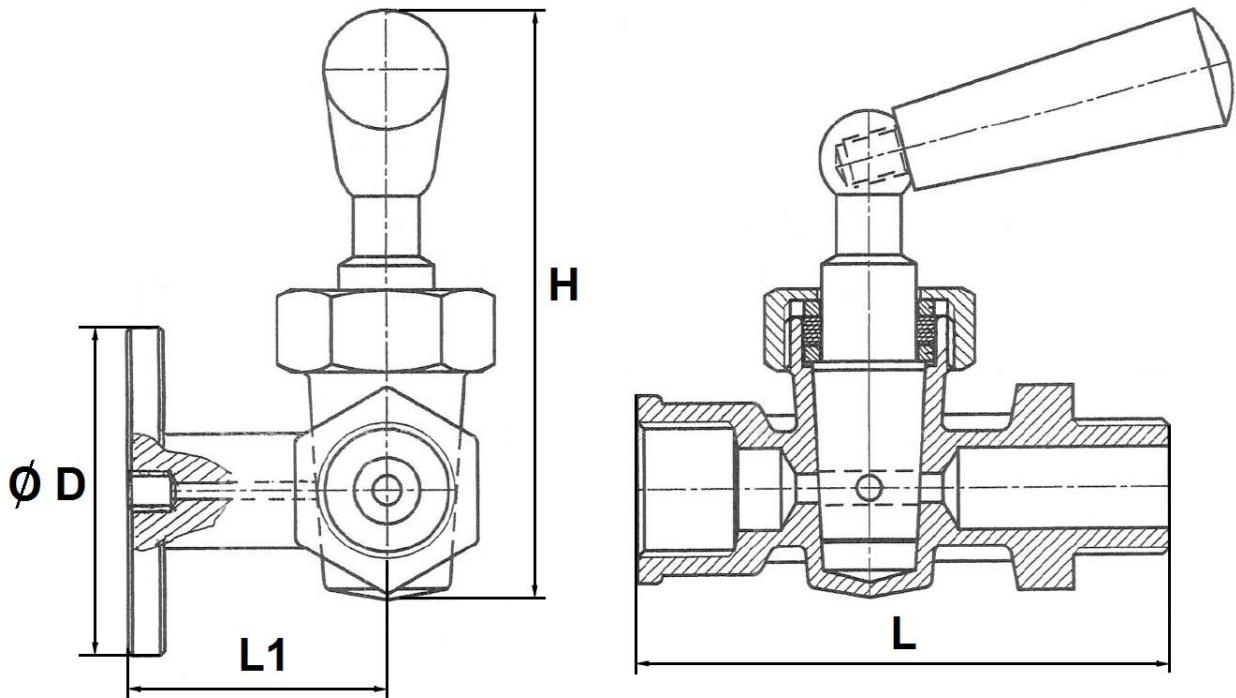


Ref.	DN	1/4"	3/8"	1/2"
1306	L	46	50	56
	H	73	73	73
	Weight (Kg)	0.13	0.14	0.17

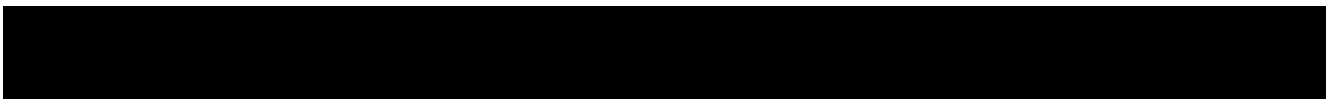


VALVES WITH EXHAUST HOLE FOR GAUGES

SIZE MALE / FEMALE WITH FLANGE REF.1307 (in mm):



Ref.	DN	1/4"	3/8"	1/2"
1307	L	60	68	74
	L1	31	31	31
	H	73	73	73
	Ø D	40	40	40
	Weight (Kg)	0.22	0.25	0.29



VALVES WITH EXHAUST HOLE FOR GAUGES

STANDARDS :

- Fabrication according to ISO 9001 : 2008
- DIRECTIVE 97/23/CE : Products excluded from directive (Article 1, § 3.2)
- Threaded female and male BSP cylindrical ends according to ISO 228-1

ADVICE : Our opinion and our advice are not guaranteed and lauridsen industri shall not be liable for the consequences of damages. The customer must check the right choice of the products with the real service conditions.

VALVES WITH EXHAUST HOLE FOR GAUGES

INSTALLATION INSTRUCTIONS

GENERAL GUIDELINES :

- Ensure that the valves to be used are appropriate for the conditions of the installation (type of fluid, pressure and temperature).
- Be sure to have enough valves to be able to isolate the sections of piping as well as the appropriate equipment for maintenance and repair.
- Ensure that the valves to be installed are of correct strength to be able to support the capacity of their usage.
- **Installation of all circuits should ensure that their function can be automatically tested on a regular basis (at least two times a year).**

INSTALLATION INSTRUCTIONS :

- **Before installing the valves, clean and remove any objects from the pipes** (in particular bits of sealing and metal) which could obstruct and block the valves.
- **Ensure that both connecting pipes either side of the valve (upstream and downstream) are aligned (if they're not, the valves may not work correctly).**
- **Make sure that the two sections of the pipe (upstream and downstream) match, the valve unit will not absorb any gaps. Any distortions in the pipes may affect the tightness of the connection, the working of the valve and can even cause a rupture.** To be sure, place the kit in position to ensure the assembling will work.
- Before starting the fitting, ensure that the threads and tapping are clean.
- **If sections of piping do not have their final support in place, they should be temporarily fixed. This is to avoid unnecessary strain on the valve.**
- The theoretical lengths given by ISO/R7 for the tapping are typically longer than required, the length of the thread should be limited, and **check that the end of the tube does not press right up to the head of the thread.**
- Position the pipe clips on both sides of the valve.
- If mounting on an air conditioning with PER tubing and hoses, it is necessary to support the tubes and hoses with the fixing to avoid strain on the valve.
- When screwing the valve, ensure that you only rotate on screwed side by the 6 ended side. Use an open ended spanner or an adjustable spanner and not a monkey wrench.
- **Never use a vice to tighten the fixings of the valve.**
- Do not over tighten the valve. Do not block with any extensions as it may cause a rupture or weakening of the casing.
- **In general, for all valves used in buildings and heating, do not tighten above a torque of 30 Nm.**