

NAMUR PILOT SOLENOID VALVE

CHARACTERISTICS

The CY NAMUR solenoid valve is used on rack and pinions pneumatic actuators for valve fitted with a NAMUR interface. It can be used on double acting (5/2) or single acting (3/2) actuators. The switch between the two versions is made with the gasket conversion. The CY solenoid valve is also fitted with a manual override for local control.

AVAILABLE MODELS

230V AC, 24V AC, 24V DC, 12V DC

LIMITS OF USE

Ambient temperature : TS	-10°C / +50°C
Air pressure	1,5 – 8 bar
IP degree	IP 65

MECHANICAL FEATURES

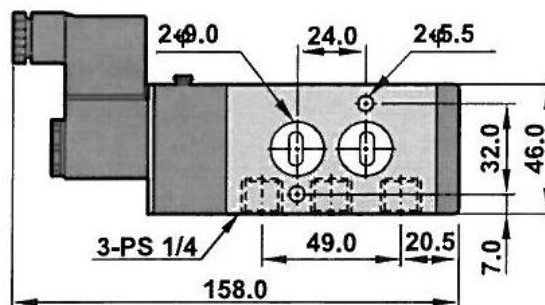
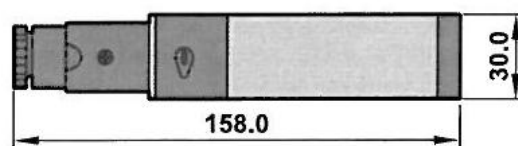
Body	Anodized aluminium
Diameter	¼ "
Flowrate	500 liters / min.
Test pressure	10 bar
Actuator connection	NAMUR standard

ELECTRICAL FEATURES

Coil	DIN type – insulation class F			
Voltage	230V AC	24 V AC	24 V DC	12 V DC
Power (W)	6	7,1	4,8	4,6

OPTIONS

Silencer
Speed control valve
NAMUR quick exhaust



Information given for information only and subject to possible modifications.

	Lauridsen industri Høgevej 9 Denmark, Esbjerg Ø 6705 Tel : +45 75 12 62 74 – M : +45 41 19 26 66 lauridsenindustri.dk /E-mail : Info@lauridsenindustri.dk			Nbr. pages	1
				Ref.	042190
				Rev.	1
				Date	05/12