

UMC and UMCL electric actuators are intended for motorising ¼ turn valves with a torque of 100 to 150Nm. With a compact construction and plastic housing, they especially well suited for motorising small-size ball valves and butterfly valves. IP65 leak-tightness: it can be used indoors and outdoors under a shelter.

100Nm and 150Nm torques
Supply voltages: 230V AC, 24V AC and 24V DC



	IP 65
	- 10°C / +60°C
	S4-30%

	treated steel pinions
	90° +/- 5°
	Without
	By key (except UML)

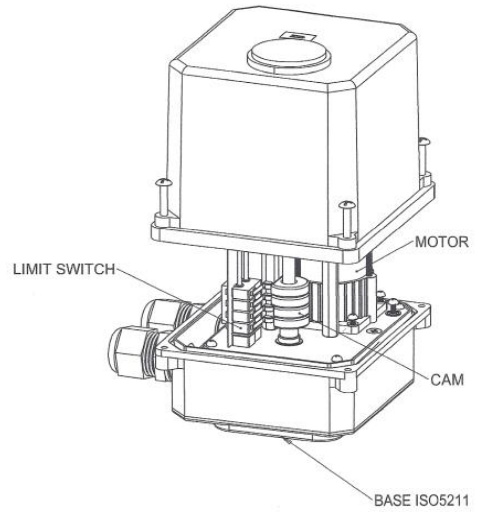


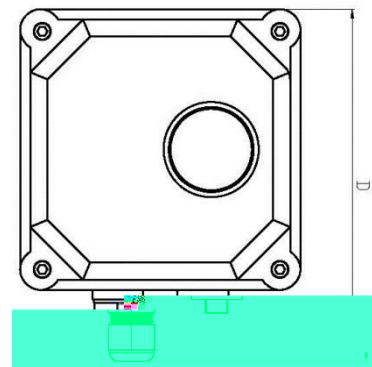
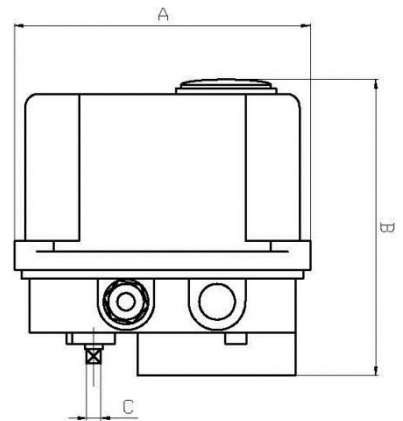
	UMC10	UMC15			UMC 15L
	230V AC	230V AC	24V AC	24V DC	230V AC
	100	150			
	8	8	8	8	45
	F03 / F07 – star 17				

	Thermal switch
	2 adjustable switches
	2 adjustable dry switches
	as an option
	2 C.G. ½" PF

	UMC10	UMC15			UMC 15L
	230V AC	230V AC	24V AC	24V DC	230V AC
	25	25	25	25	25
	0.42	0.42	0.5	0.5	0.42

Information given as an indication only, and subject to possible modifications





Information given as an indication only, and subject to possible modifications



	Common		
	Opening phase		
	Closing phase		
	Switch powered open		
	Switch powered closed		
	Heater		
	Heater		
	LS3 auxiliary common Opening		
	NO switch Aux. Opening LS3		
	NC switch Aux. Opening LS3		
	LS4 auxiliary common Closing		
	NO switch Aux. LS4 Closing		
	NC switch Aux. LS4 Closing		

	1 wiring with +		
	3 wiring with -		
	Bridge between 3 and 4 opening		
	4 disconnected closing		
	Switch powered open		
	Switch powered closed		
	Heater		
	Heater		
	Common auxiliary No. 1		
	NO switch Aux. No. 1		
	NC switch Aux. No. 1		
	Common auxiliary No. 2		
	NO switch Aux. No. 2		
	NC switch Aux. No. 2		

Information given as an indication only, and subject to possible modifications