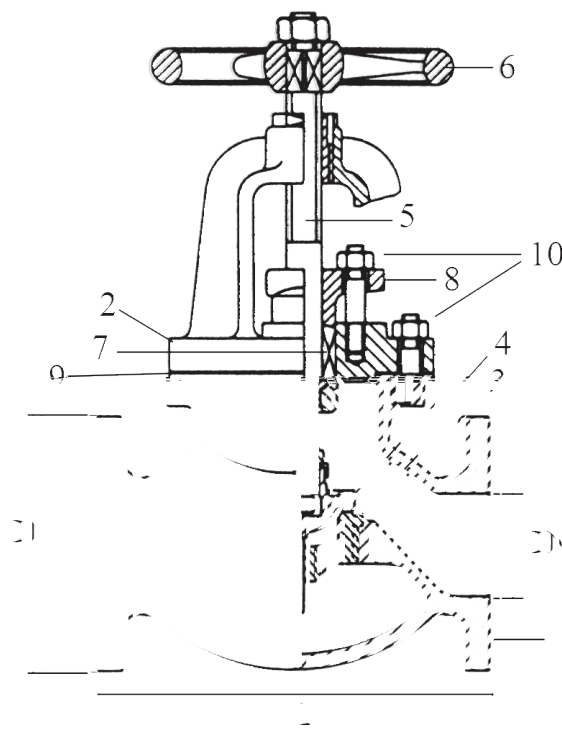




Stop Valve JIS 5K Flange Straight GSC25

Model/Ref: F-7311

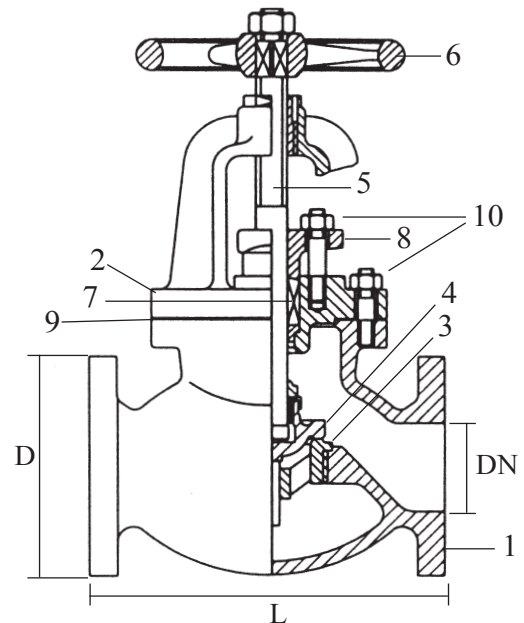


*Partnership.
Without Limits.*

www.lauridsenindustri.com

Stop Valve JIS 5K Flange Straight GSC25

No	Part	Material
1	Body	Cast steel GSC25
2	Bonnet	Cast steel GSC25
3	Seat ring	Stainless steel
4	Disc	Stainless steel
5	Stem	Stainless steel
6	Handwheel	Cast iron
7	Glandpacking	Graphite
8	Gland	Bronze Rg5
9	Gasket	Graphite
10	Bolt/Nut	Rolled steel
11		
12		
13		
14		
15		


Variants:

Bronze Rg5 trim

Other dimensions/materials on request

DN	D	n	Hcd	d	L	Max working-pressure		Weight Kg
						Kg/cm ² 120 °C	Kg/cm ² 205 °C	
50	130	4	105	15	210	7 bar	5 bar	16,2
65	155	4	130	15	250	7 bar	5 bar	23,4
80	180	4	145	19	280	7 bar	5 bar	30,0
100	200	8	165	19	340	7 bar	5 bar	45,0
125	235	8	200	19	410	7 bar	5 bar	63,0
150	265	8	230	19	480	7 bar	5 bar	88,0
200	320	8	208	23	570	7 bar	5 bar	153,0