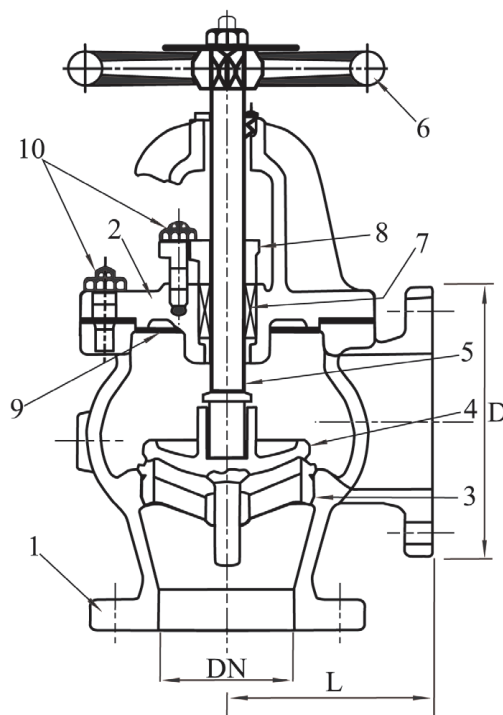




## Stop Valve JIS 16K Flange Angle GG25

Model/Ref: F-7310-F-7378

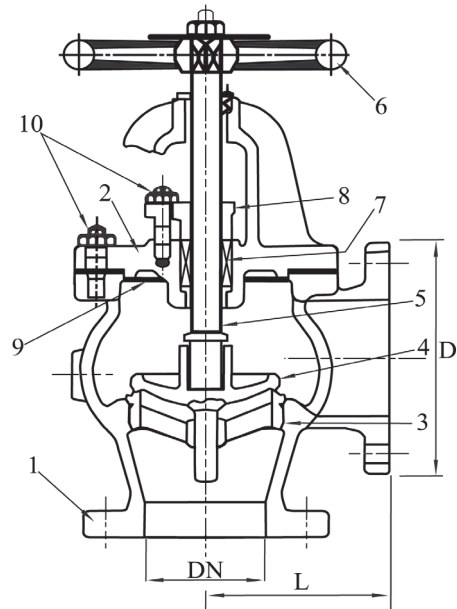


*Partnership.  
Without Limits.*

[www.lauridsenindustri.com](http://www.lauridsenindustri.com)

## Stop Valve JIS 16K Flange Angle GG25

No	Part	Material
1	Body	Cast iron GG25
2	Bonnet	Cast iron GG25
3	Seat ring	Bronze Rg5
4	Disc	Bronze Rg5
5	Stem	Special brass
6	Handwheel	Cast iron
7	Glandpacking	Graphite
8	Gland	Bronze Rg5
9	Gasket	Graphite
10	Bolt/Nut	Brass / Rolled steel
11		
12		
13		
14		
15		


**Variants:**

S.D.N.R. = Non-return disc F-7378  
 Stainless steel trim

Other dimensions/materials on request

DN	D	n	Hcd	d	L	Max working-pressure		Weight Kg
						Kg/cm <sup>2</sup> 120 °C	Kg/cm <sup>2</sup> 205 °C	
50	155	8	120	19	120	22 bar	16 bar	18,0
65	175	8	140	19	130	22 bar	16 bar	25,0
80	200	8	160	23	150	22 bar	16 bar	35,7
100	225	8	185	23	170	22 bar	16 bar	49,2
125	270	8	225	25	200	22 bar	16 bar	76,1
150	305	12	260	25	225	22 bar	16 bar	103,0
200	350	12	305	25	250	22 bar	16 bar	155,0