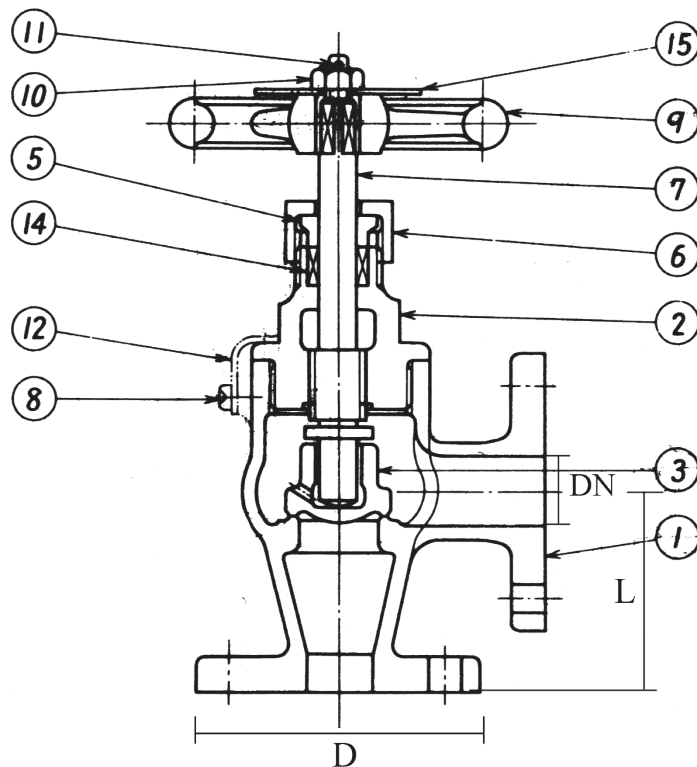




Stop Valve JIS 5K Flange Angle Bronze

Model/Ref: F-7302-F-7352

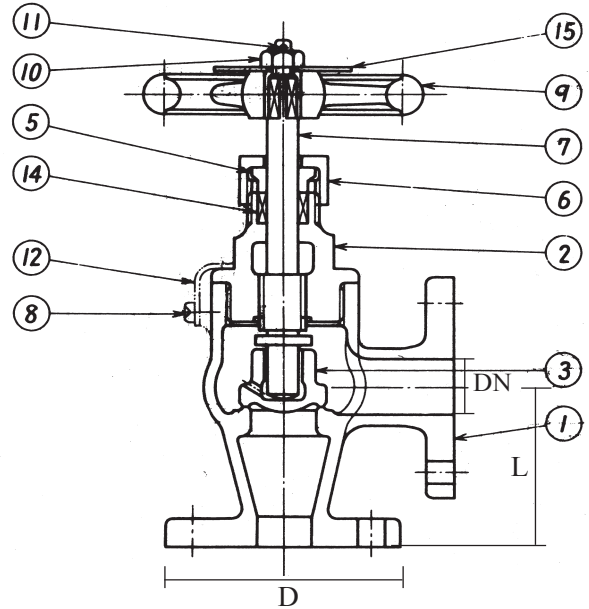


*Partnership.
Without Limits.*

www.Lauridsen-group.dk

Stop Valve JIS 5K Flange Angle Bronze

No	Part	Material
1	Body	Bronze Rg5
2	Bonnet	Bronze Rg5
3	Disc	Bronze Rg5
4		
5	Packing gland	Brass
6	Gland nut	Brass
7	Stem	Brass
8	Set screw	Brass
9	Handwheel	Cast iron
10	Hexagon nut	Brass
11	Split pin	Brass
12	Lock plate	Brass
13	Disc lock washer	Brass
14	Packing	Teflon
15	Name plate	Brass & Alu.



Variants:

S.D.N.R. = Non-return disc F-7352

Other dimensions/materials on request

DN	D	n	Hcd	d	L	Max working-pressure		Weight Kg
						Kg/cm ² 120 °C	Kg/cm ² 205 °C	
F-7302								
F-7352								
15	80	4	60	12	50	7 bar	5 bar	2,0
20	85	4	65	12	60	7 bar	5 bar	2,8
25	95	4	75	12	65	7 bar	5 bar	3,4
32	115	4	90	15	80	7 bar	5 bar	4,9
40	120	4	95	15	85	7 bar	5 bar	6,0
F-7302								
50	130	4	105	15	100	7 bar	5 bar	10,1
65	155	4	130	15	115	7 bar	5 bar	15,6