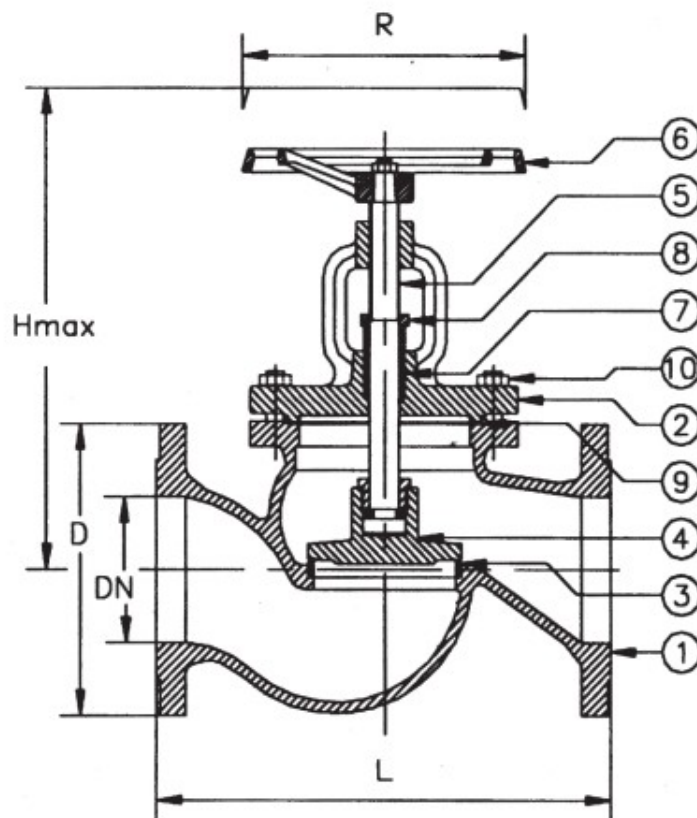




Stop Valve PN 64 Flange Straight GSC25

Model/Ref: 467065

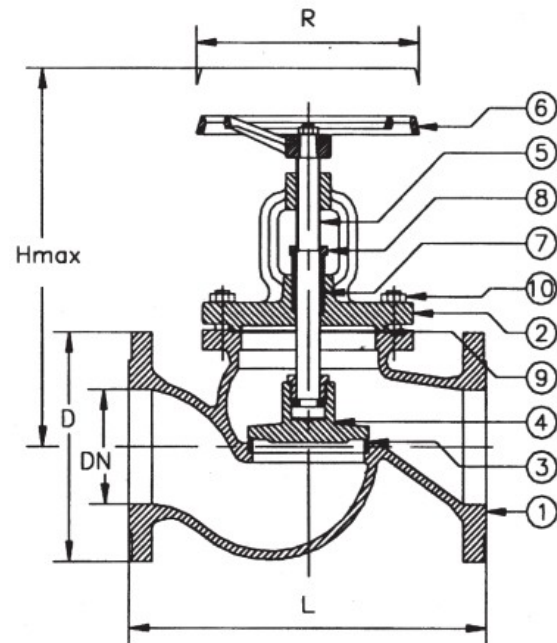


*Partnership.
Without Limits.*

www.lauridsen-group.dk

Stop Valve PN 64 Flange Straight GSC25

No	Part	Material
1	Body	Cast steel GSC25
2	Bonnet	Cast steel GSC25
3	Seat ring	Stainless steel 1.4301
4	Disc	Stainless steel X20Cr13
5	Stem	Stainless steel X20Cr13
6	Handwheel	Cast iron
7	Glandpacking	Graphite
8	Gland	Cast steel GSC25
9	Gasket	Graphite
10	Bolt/Nut	Steel, zincplated



Variants:

S.D.N.R. = Non-return disc

R = Parabolic disc

Butt weld end

Various actuators

Other dimensions/materials on request

DN	D	n x Ød	Hcd	L	Hmax	Max working-pressure		Weight Kg
						Mpa 120 °C	Mpa 400 °C	
15	105	4x14	75	210	250	6,4	2,7	10,0
20	130	4x18	90	230	310	6,4	2,7	11,0
25	140	4x18	100	230	310	6,4	2,7	12,0
32	155	4x22	11	260	330	6,4	2,7	23,0
40	170	4x22	125	260	350	6,4	2,7	24,0
50	180	4x22	135	300	380	6,4	2,7	30,0
65	205	8x22	160	340	410	6,4	2,7	48,0
80	215	8x22	170	380	460	6,4	2,7	60,0
100	250	8x26	200	430	490	6,4	2,7	99,0
125	295	8x30	240	500	550	6,4	2,7	130,0
150	295	8x33	280	550	610	6,4	2,7	180,0