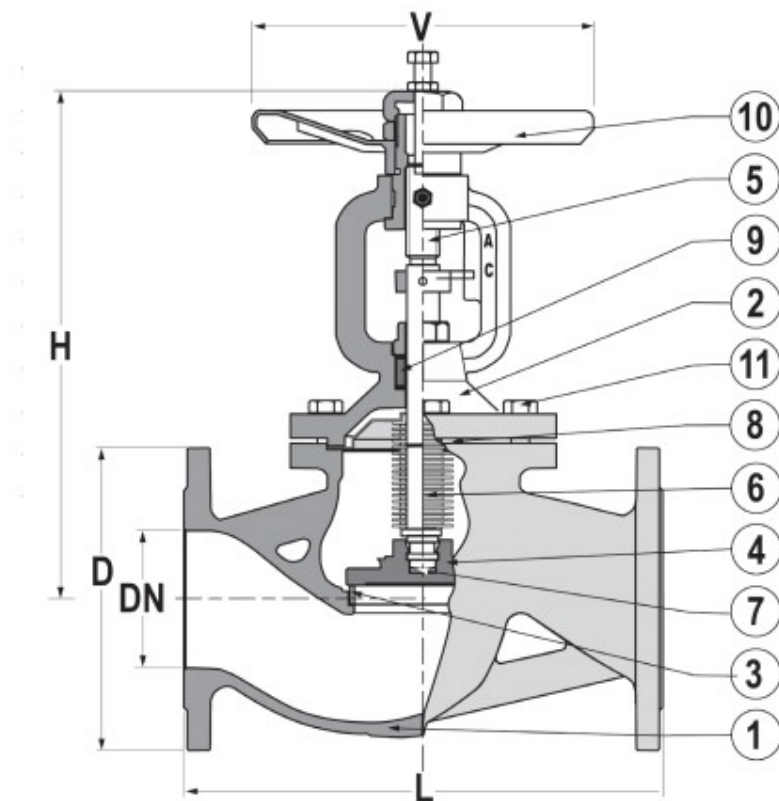




Stop Valve PN 16 Flange Straight SS316

Model/Ref: 467092-104

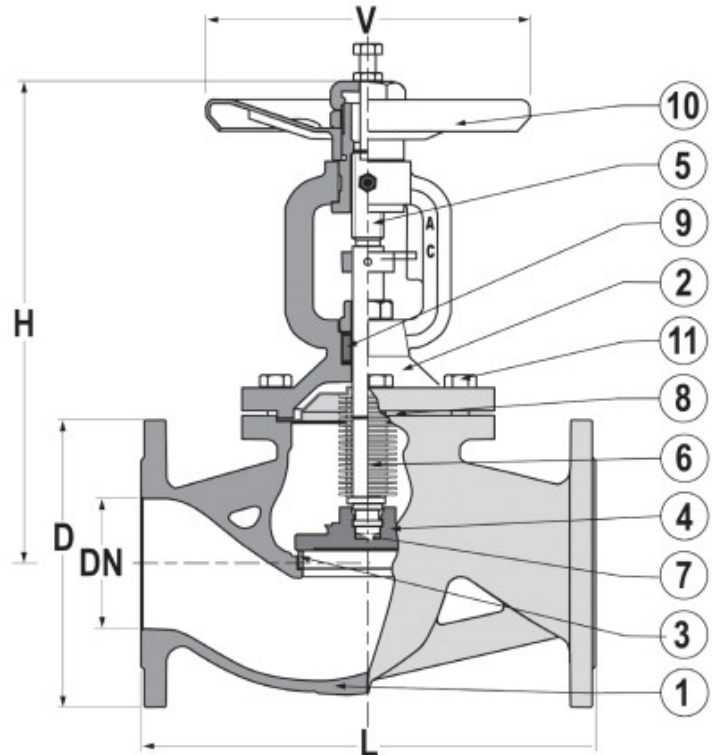


*Partnership.
Without Limits.*

www.lauridsen-group.dk

Stop Valve PN 16 Flange Straight SS316

No	Part	Material
1	Body	Stainless steel 1.4436
2	Yoke	Stainless steel 1.4436
3	Seat	Stainless steel 1.4021
4	Disc	Stainless steel 1.4021
5	Stem	Stainless steel 1.4021
6	Bellow	Stainless steel 1.4541
7	Antifriction disc	Stainless steel 1.4021
8	Gaskets	Graphite + St. steel
9	Packing	Graphite
10	Handwheel	Pressed Steel
11	Screws	Carbon Steel


Variants:

Parabolic disc

Angle Type

DN	D	L	H	V	Kv m ³ /h	Weight Kg
15	95	130	234	125	4,6	3,8
20	105	150	243	125	7,3	4,4
25	115	160	253	125	11,7	5,3
32	140	180	242	125	16,8	6,8
40	150	200	275	150	26,7	9
50	165	230	276	150	42,6	11,3
65	185	290	377	200	77,9	21
80	200	310	378	200	111	24
100	220	350	401	250	177	31
125	250	400	442	300	262	45,5
150	285	480	494	350	368	65
200	340	600	620	400	664	117,5
250	405	730	748	500	1044	180
300	460	850	770	600	1493	247,6

Temperature (C°)	Pressure (bar)
-10/120	16
150	15,5
200	14,7
250	13,9
300	12,8
350	11,2