

**3 PIECES CARBON STEEL BALL VALVE PN63 INITIAL RANGE**

**PRODUCT EVOLUTION**



**Be careful, our valves Ref.796-797-798 are changing**

**We currently have 2 different types available (according to DN)  
with different dimensions and non-commutable gaskets**

**Old marking :**



**New marking :**



**At the end, only the new type will be available (from page 2 to 11)**

**3 PIECES CARBON STEEL BALL VALVE PN63 INITIAL RANGE**

**NEW**



Lloyd's  
Register  
ISO 9001 : 2015



Lloyd's  
Register  
PED/2014/68/EU



**Certificate 3.1**

**Size :** DN 8 to 100 mm  
**Ends :** Threaded BSP or NPT, Socket or Butt Welding  
**Min Temperature :** -20°C  
**Max Temperature :** + 180°C  
**Max Pressure :** 63 Bars up to DN20  
**Specifications :** Anti blow-out stem  
Locking device  
Full bore

**Materials :** Carbon steel ASTM A216 WCB

**3 PIECES CARBON STEEL BALL VALVE PN63 INITIAL RANGE**

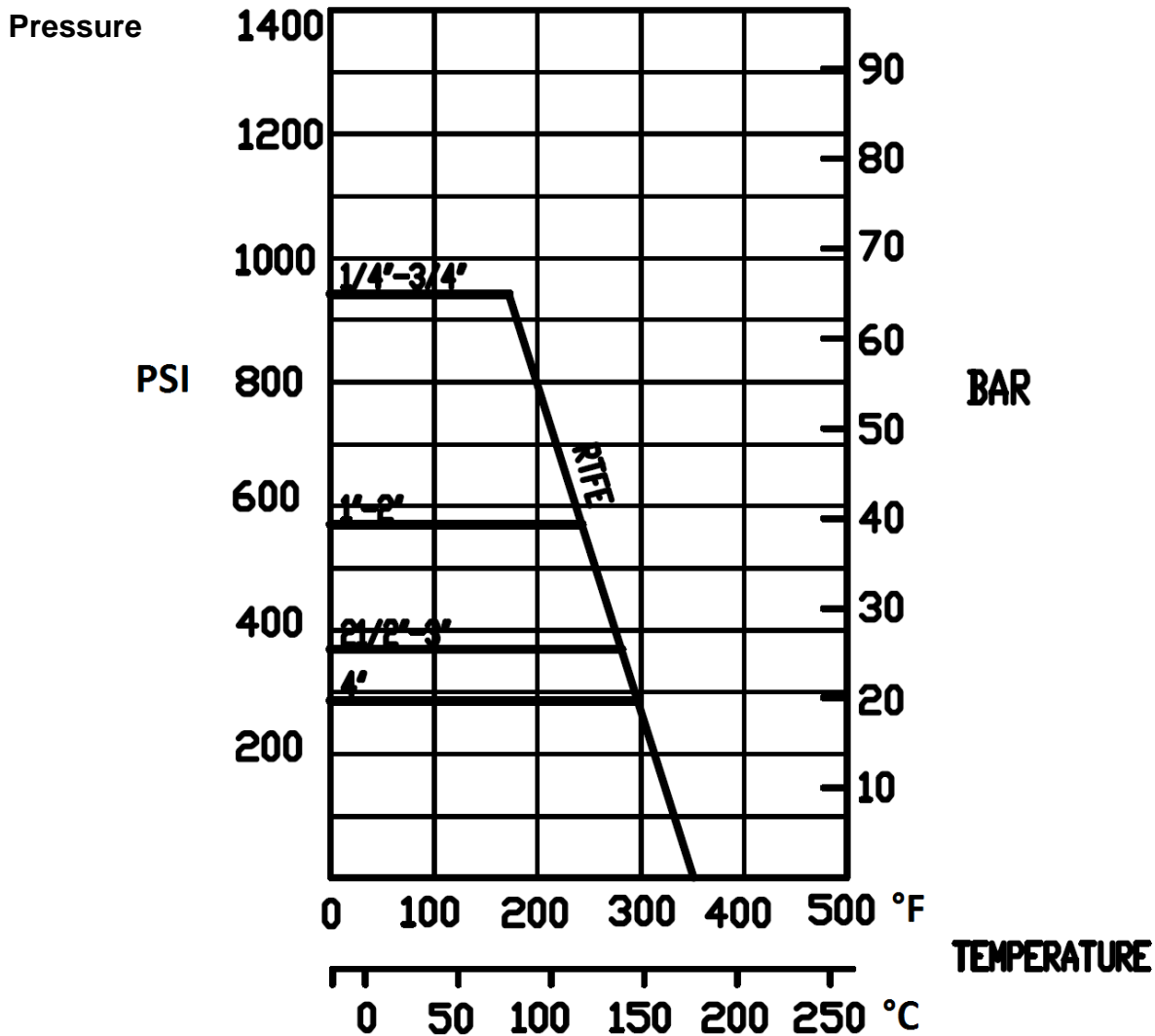
**SPECIFICATIONS :**

- Full bore
- Anti blow-out stem
- PTFE packing
- Locking device
- Stem extension in AISI 304 ( option )
- Black phosphated finish, thickness 5 µm

**USE :**

- Compatible with common fluids of 2<sup>nd</sup> group
- Min and max Temperature Ts : -20°C to + 180°C
- Max Pressure Ps : 63 bars up to DN20, 40 bars from DN25 to 50, 25 bars from DN65 to 80 and 20 bars for DN100 (see graph under)
- Compressed air : 10 bars max
- Do not use with steam

**PRESSURE / TEMPERATURE GRAPH ( STEAM AND COMPRESSED AIR EXCLUDED ) :**



**3 PIECES CARBON STEEL BALL VALVE PN63 INITIAL RANGE**

**RANGE :**



- Carbon steel 3 pieces ball valve Initial Range Ref. **796/797/798** from DN 8 to DN 100



- AISI 304 stem extension Ref.**9810611-9810614** from DN8 to DN50



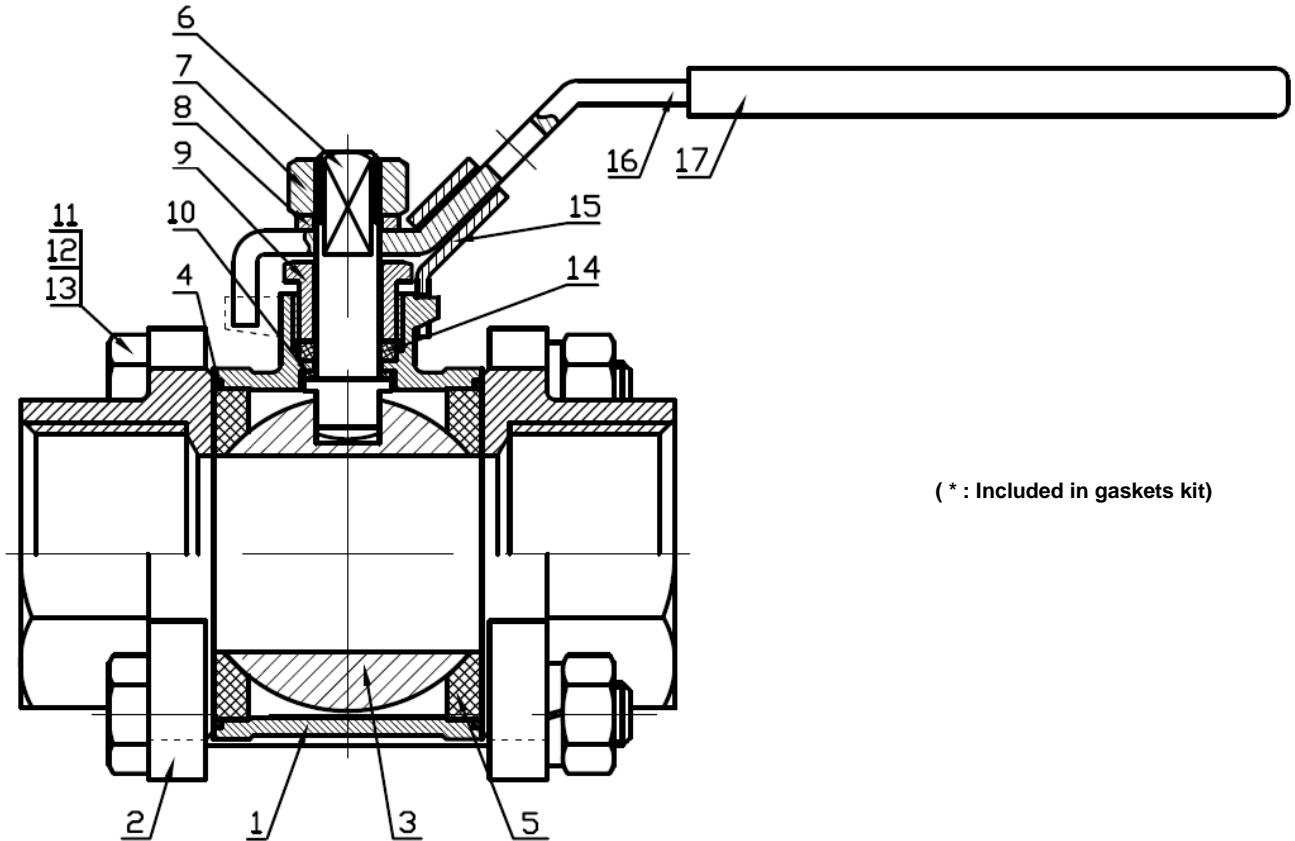
- Blue handle cover Ref. **9830584-9830588** from DN 1/2" to DN 4"

**ENDS :**

- Female / female threaded BSP Ref. **796**
- Female / female threaded NPT Ref. **7961**
- Socket Welding Ref.**798**
- Butt welding Ref. **797**

**3 PIECES CARBON STEEL BALL VALVE PN63 INITIAL RANGE**

**MATERIALS :**

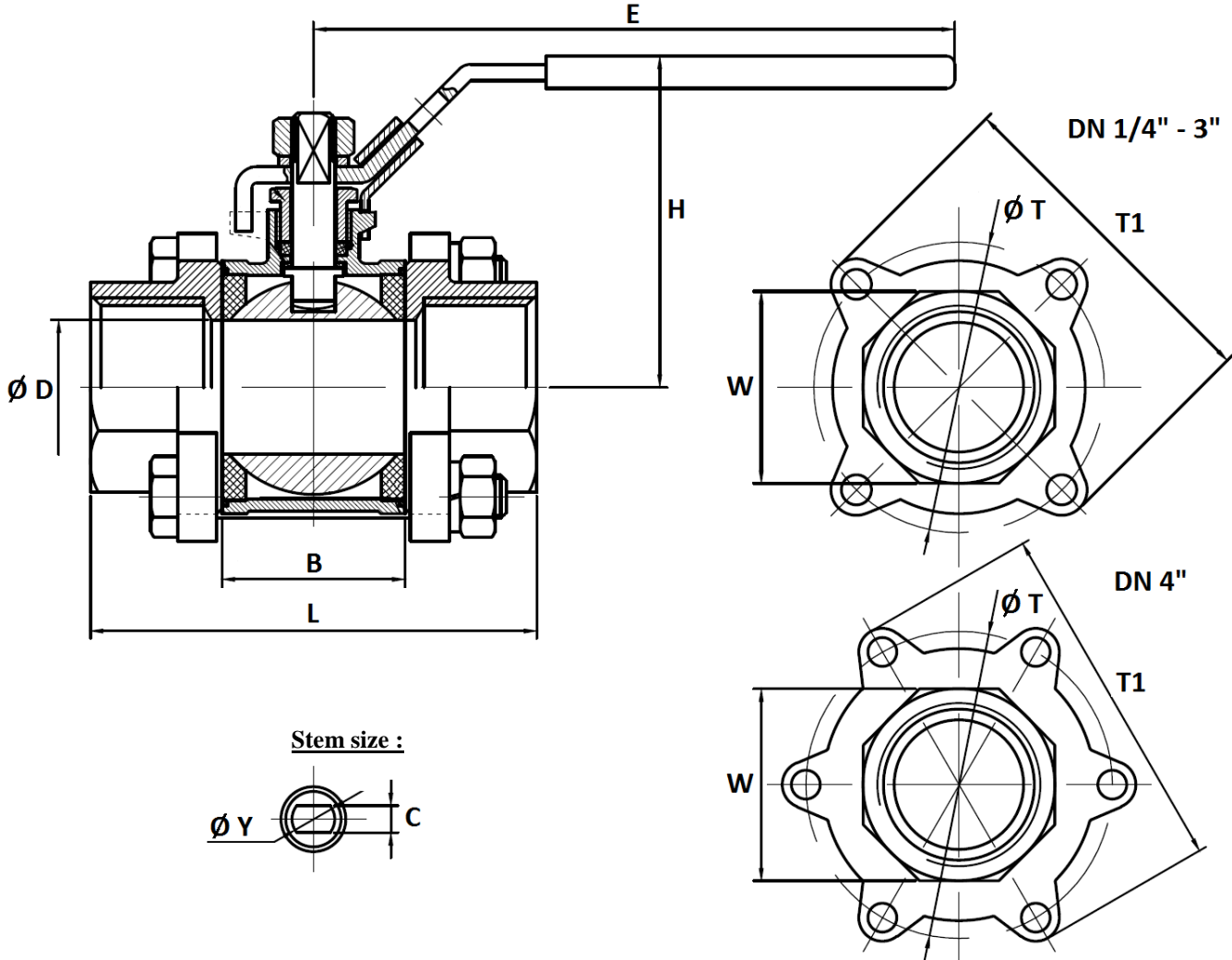


(\* : Included in gaskets kit)

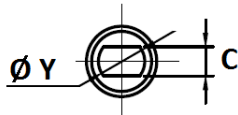
Item	Designation	Materials
1	Body	ASTM A216 WCB
2	Ends	
3	Ball	AISI 304
4*	Body gasket	PTFE
5*	Seat	PTFE filled with 15% glass fiber
6	Stem	AISI 304
7	Packing nut	
8	Handle washer	
9	Packing gland	
10*	Thrust washer	PTFE
11	Stud	AISI 304
12	Stud washer	
13	Stud nut	
14*	Packing	PTFE
15	Locking device	AISI 304
16	Handle	
17	Handle cover	PVC

**3 PIECES CARBON STEEL BALL VALVE PN63 INITIAL RANGE**

SIZE THREADED TYPE ( in mm ) REF. 796 / 7961 :



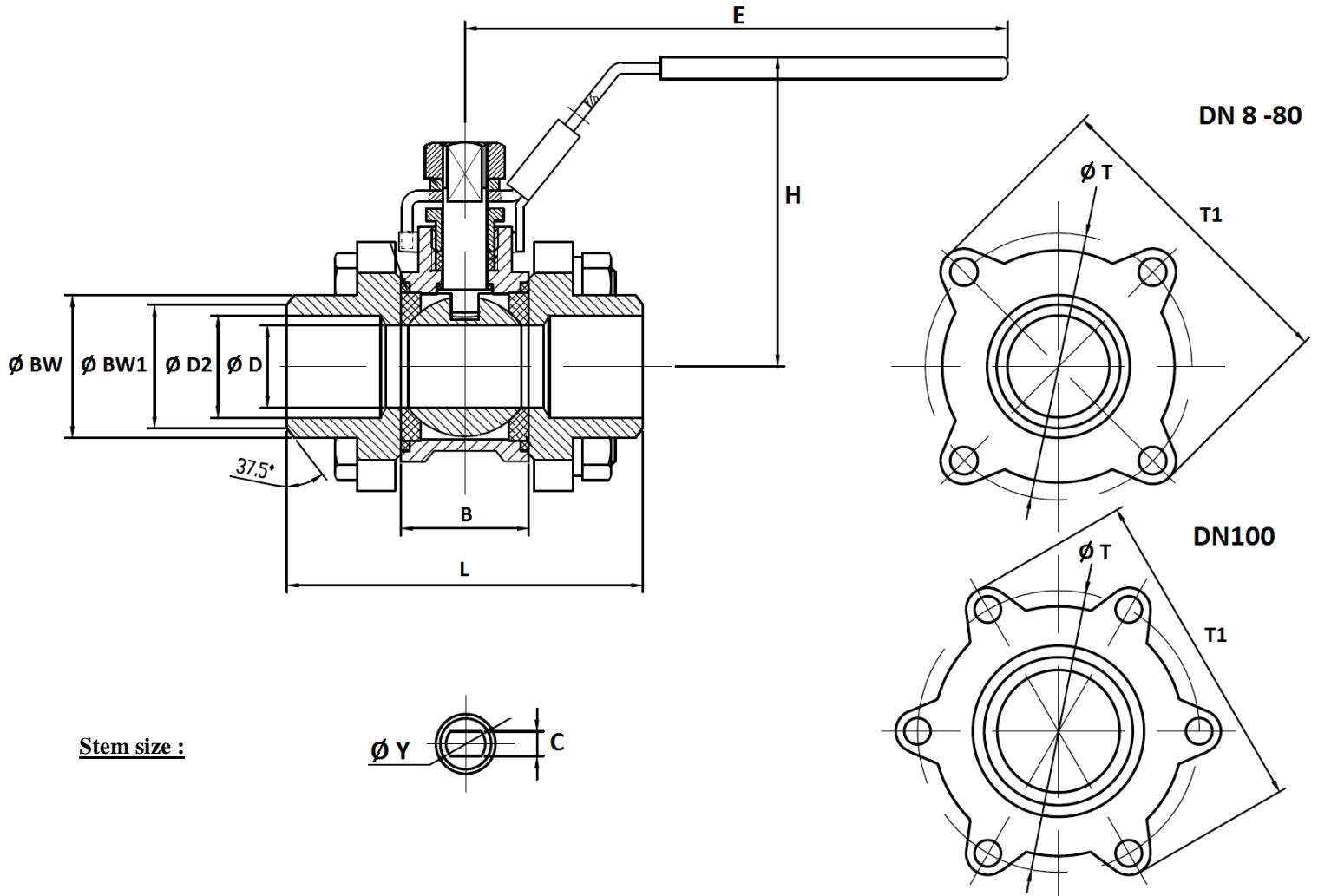
Stem size :



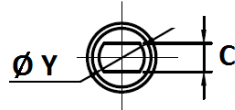
Ref.	DN	1/4"	3/8"	1/2"	3/4"	1"	1 1/4"	1 1/2"	2"	2 1/2"	3"	4"
796 7961 Threaded	Ø D	11.6	12.5	15	20	25	32	38	50	64	76	100
	L	59	59	63.3	70.6	82	97	109	124.6	162	175	216
	B	21.1	21.1	23.3	28.6	34	44	51	63	84.3	94.7	119.2
	E	103	103	126	126	162	162	193	193	230	230	320
	H	49	49	57	62	72	78	91	102	122	132	177
	Ø Y	M8	M8	M8	M8	M10	M10	M12	M12	M14	M14	M20
	C	5	5	5	5	6.5	6.5	8.5	8.5	9.8	9.8	16
	Ø T	38.5	38.5	43	51.5	58	70	81.5	101	136	157	195.5
	T1	51	51	57.5	66	74.5	86.5	100.5	121.5	161	185	226.5
	W	18	21	26	32	39	48	55	67	83	99	127
Weight (Kg)		0.30	0.30	0.45	0.60	0.86	1.32	2.03	3.19	7.06	10.7	20.95

**3 PIECES CARBON STEEL BALL VALVE PN63 INITIAL RANGE**

SIZE B.W. TYPE ( in mm ) REF. 797 :



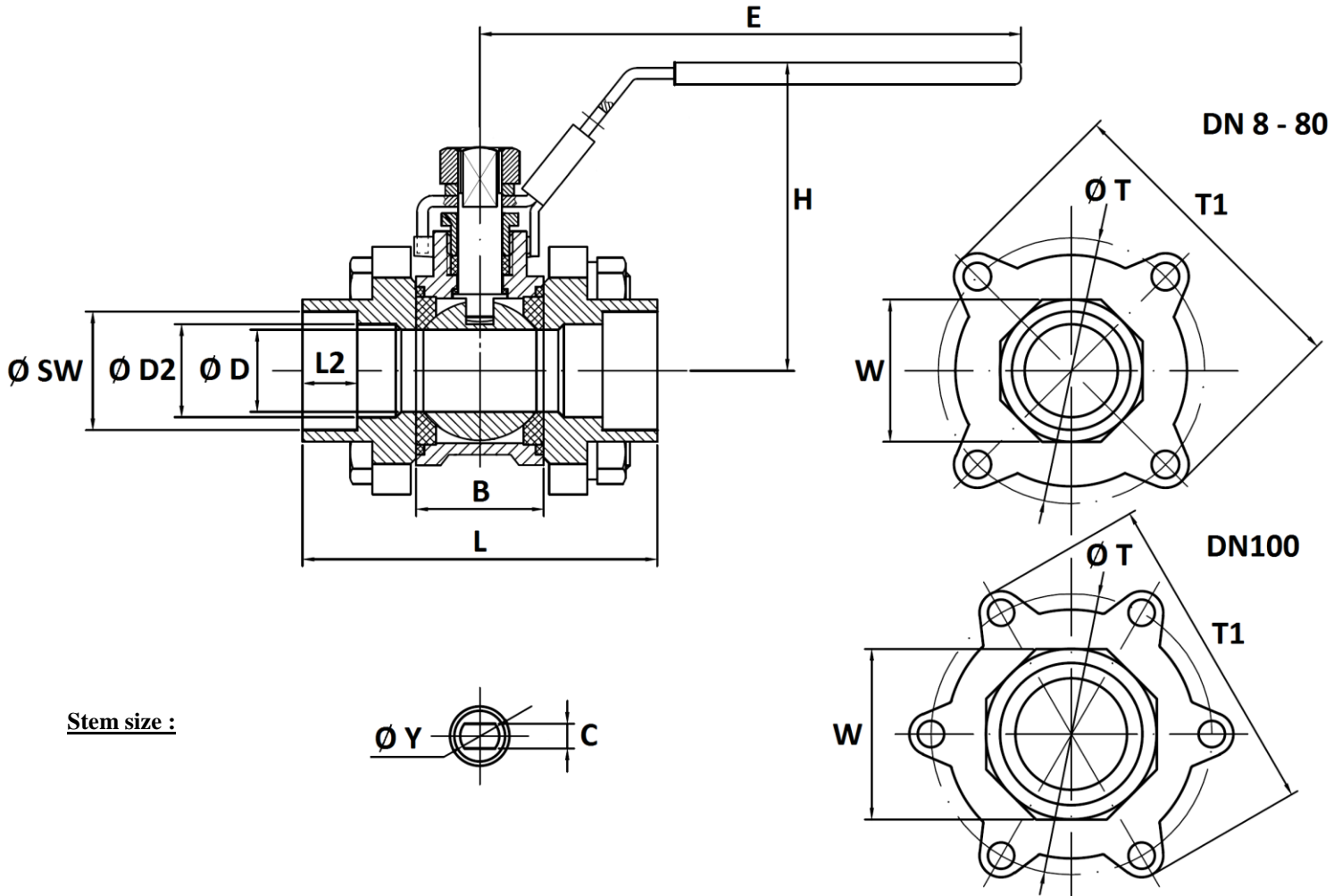
Stem size :



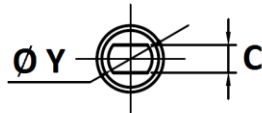
Ref.	DN	8	10	15	20	25	32	40	50	65	80	100
797 BW	Ø D	11.6	12.5	15	20	25	32	38	50	64	76	100
	L	59	59	63.3	70.6	82	97	109	124.6	162	175	216
	B	21.1	21.1	23.3	28.6	34	44	51	63	84.3	94.7	119.2
	E	103	103	126	126	162	162	193	193	230	230	320
	H	49	49	57	62	72	78	91	102	122	132	177
	Ø Y	M8	M8	M8	M8	M10	M10	M12	M12	M14	M14	M20
	C	5	5	5	5	6.5	6.5	8.5	8.5	9.8	9.8	16
	Ø T	38.5	38.5	43	51.5	58	70	81.5	101	136	157	195.5
	T1	51	51	57.5	66	74.5	86.5	100.5	121.5	161	185	226.5
	Ø BW	15.5	17.5	22	27.3	34	42.7	48.7	61	76.5	90	115
	Ø BW1	13.3	14.5	17	22.5	28.6	36	43	54	68	84	104
	Ø D2	11.6	12.5	15	20	25	32	39.8	50	64	76	100
	Weight (Kg)		0.33	0.33	0.45	0.60	0.86	1.35	2.03	3.19	7.06	10.7

**3 PIECES CARBON STEEL BALL VALVE PN63 INITIAL RANGE**

SIZE S.W. TYPE ( in mm ) REF. 798 :



Stem size :

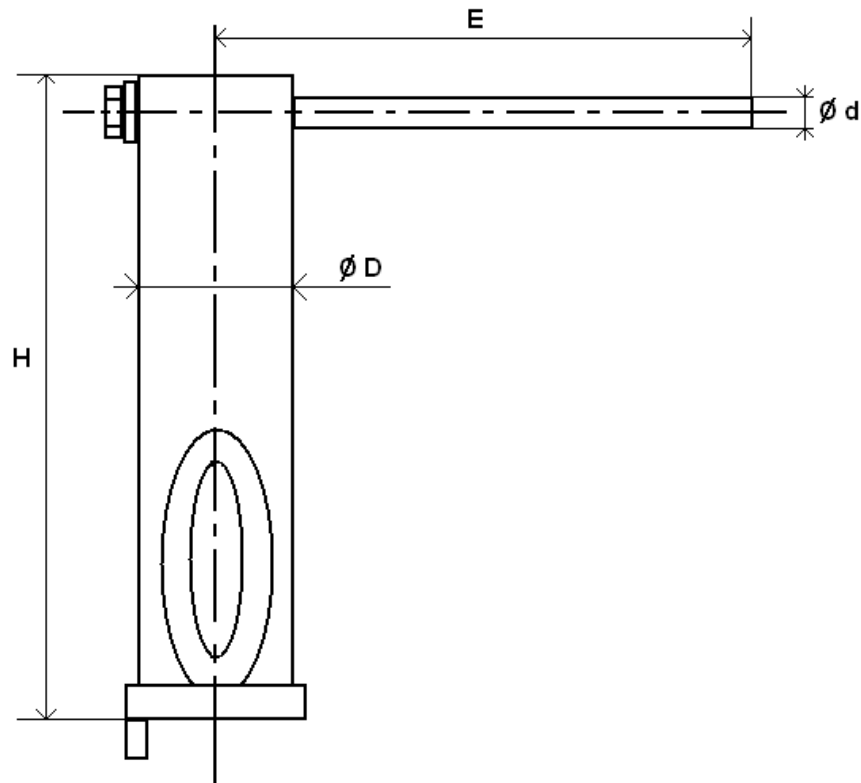


Ref.	DN	8	10	15	20	25	32	40	50	65	80	100
798 SW	Ø D	11.6	12.5	15	20	25	32	38	50	64	76	100
	Ø D2	11.6	14.5	18	23.5	29.5	38.5	44.5	56	68	83	108
	L	59	59	63.3	70.6	82	97	109	124.6	162	175	216
	B	21.1	21.1	23.3	28.6	34	44	51	63	84.3	94.7	119.2
	L2	11	11	11	14	18	18	19	21	20	16	19
	E	103	103	126	126	162	162	193	193	230	230	320
	H	49	49	57	62	72	78	91	102	122	132	177
	Ø Y	M8	M8	M8	M8	M10	M10	M12	M12	M14	M14	M20
	C	5	5	5	5	6.5	6.5	8.5	8.5	9.8	9.8	16
	Ø T	38.5	38.5	43	51.5	58	70	81.5	101	136	157	195.5
	T1	51	51	57.5	66	74.5	86.5	100.5	121.5	161	185	226.5
	W	18	21	26	32	39	48	55	67	83	99	127
	SW	14.1	17.6	21.9	27.4	34.2	42.8	48.8	61.1	77	89.9	115.4
	Weight (Kg)	0.30	0.30	0.45	0.60	0.86	1.32	2.03	3.19	7.06	10.7	20.95



**3 PIECES CARBON STEEL BALL VALVE PN63 INITIAL RANGE**

STEM EXTENSION ( in mm ) :



DN	1/4"	3/8"	1/2"	3/4"	1"	1"1/4"	1"1/2"	2"
H	126		126.3		126.3		128	
E	124		124		157.8		188.5	
Ø D	28		28		32		36.5	
Ø d	12		12		14		14	
Weight (in Kg)	0.33		0.34		0.48		0.62	
Ref.	9810611		9810612		9810613		9810614	

**3 PIECES CARBON STEEL BALL VALVE PN63 INITIAL RANGE**
**TORQUE VALUES ( In Nm without safety coefficient ) :**

DN	1/4"	3/8"	1/2"	3/4"	1"	1"1/4"	1"1/2"	2"	2"1/2"	3"	4"
Torque (Nm)	2	2	2.5	3.5	6	7	12	16	40	50	70

**BOLT TIGHTENING TABLE ( in Nm ) :**

DN	1/4"	3/8"	1/2"	3/4"	1"	1"1/4"	1"1/2"	2"	2"1/2"	3"	4"
Torque (Nm)	4	4	8	8	10	13	20	20	35	45	65

**FLOW COEFFICIENT Kvs ( M3 / h ) :**

DN	1/4"	3/8"	1/2"	3/4"	1"	1"1/4"	1"1/2"	2"	2"1/2"	3"	4"
Kvs ( m3/h )	5.2	5.2	20.7	30.2	40.6	70	90.8	208.4	275.9	501.6	865

**STANDARDS :**

- Fabrication according to ISO 9001 : 2015
- DIRECTIVE 2014/68/EU : CE N° 0038  
Risk Category III Module H
- Certificate 3.1 on request
- Pressure tests according to API 598, table 6
- Threaded BSP cylindrical ends according to ISO 228-1
- Threaded NPT ends according to ANSI B1.20.1

**3 PIECES CARBON STEEL BALL VALVE PN63 INITIAL RANGE**

**INSTALLATION AND MAINTENANCE**

**BEFORE INSTALLATION :**

Pipe-line must be cleaned and free from residual of weldings,rubbish,shaving and every kind of extraneous materials.  
Pipe-line must be perfectly aligned and their support properly dimensioned so that there's no external constraint.

Check to use a produce compatible to the services conditions for the sealing of the threaded types.  
To tighten the ends,use the appropriate tool.  
Use the right bolt tightening so that the ends won't be damaged.

The welding of the ends for the SW and the BW types,must be done with the central part removed.  
A gauge can be used to have the good lenght and alignment between the ends.

**INSTALLATION OF THE CENTRAL PART**

During the installation of the central part , tighten bolts according to the table below.Tighten bolts in cross.

**BOLT TIGHTENING TABLE ( in Nm) :**

DN	1/4"	3/8"	1/2"	3/4"	1"	1"1/4"	1"1/2"	2"	2"1/2"	3"	4"
Torque (Nm)	4	4	8	8	10	13	20	20	35	45	65

**CLEANING AND TESTS**

Keep opened the valves during the cleaning operation so that there are no impurities between the ball and the body.

Tests under pressure must be done with a cleaned pipe-line.

Open partially the valve for tests. Pressure test do not exceed the valve specifications according to EN 12266-1.

**MAINTENANCE**

It's recommended to operate the valve twice ( open and close ) 1 to 2 times per year.

When intervention on the valve, be sure there's no pressure in the pipe-line, there's no fluid in it,and that it is isolated.  
The temperature must be low enough to operate without risks.  
If there's a corrosive fluid,inert installation before intervention.

When the valve is under pressure :

If there's a leakage between the body and the ends, tighten bolts according to the above table

If there's a leakage at the packing, tighten it slightly so that the leakage disappears.

**MAINTENANCE OPERATION IN WORKSHOP**

**REPLACEMENT OF SEAT GASKETS AND PACKING.**

The central part must be removed.

Turn the ball at 45° and removed the seat gaskets.

Operate the valve in closed position to removed the ball.Verify the surface of the ball has no impacts and no scores.

If there are important scores or impatcs,replace the ball.

Clean inside the body valve and remove the impurities.

To replace the packing,remove the handle,unscrew the gland nut, extract the stem by the inside of the valve.

Clean the paking seat.

Reassemble thrust washer on stem, introduce stem by the inside of the valve, reassemble packing with packing nut,reassemble hand washer,hand nut and the handle.

Turn stem in closed position and insert the ball.

Then turn the ball in opened position and reassemble the seat.

Place the valve on the installation,tighten bolts according to the above table.

Then proceed to the tests in the same way that the first installation.

**3 PIECES CARBON STEEL BALL VALVE PN63 INITIAL RANGE**



**Size :** DN 8 to 100 mm  
**Ends :** Threaded BSP or NPT, Socket or Butt Welding  
**Min Temperature :** -20°C  
**Max Temperature :** + 180°C  
**Max Pressure :** 63 Bars up to DN20  
**Specifications :** Anti blow-out stem  
Locking device  
Full bore

**Materials :** Carbon steel ASTM A216 WCB

**3 PIECES CARBON STEEL BALL VALVE PN63 INITIAL RANGE**

**SPECIFICATIONS :**

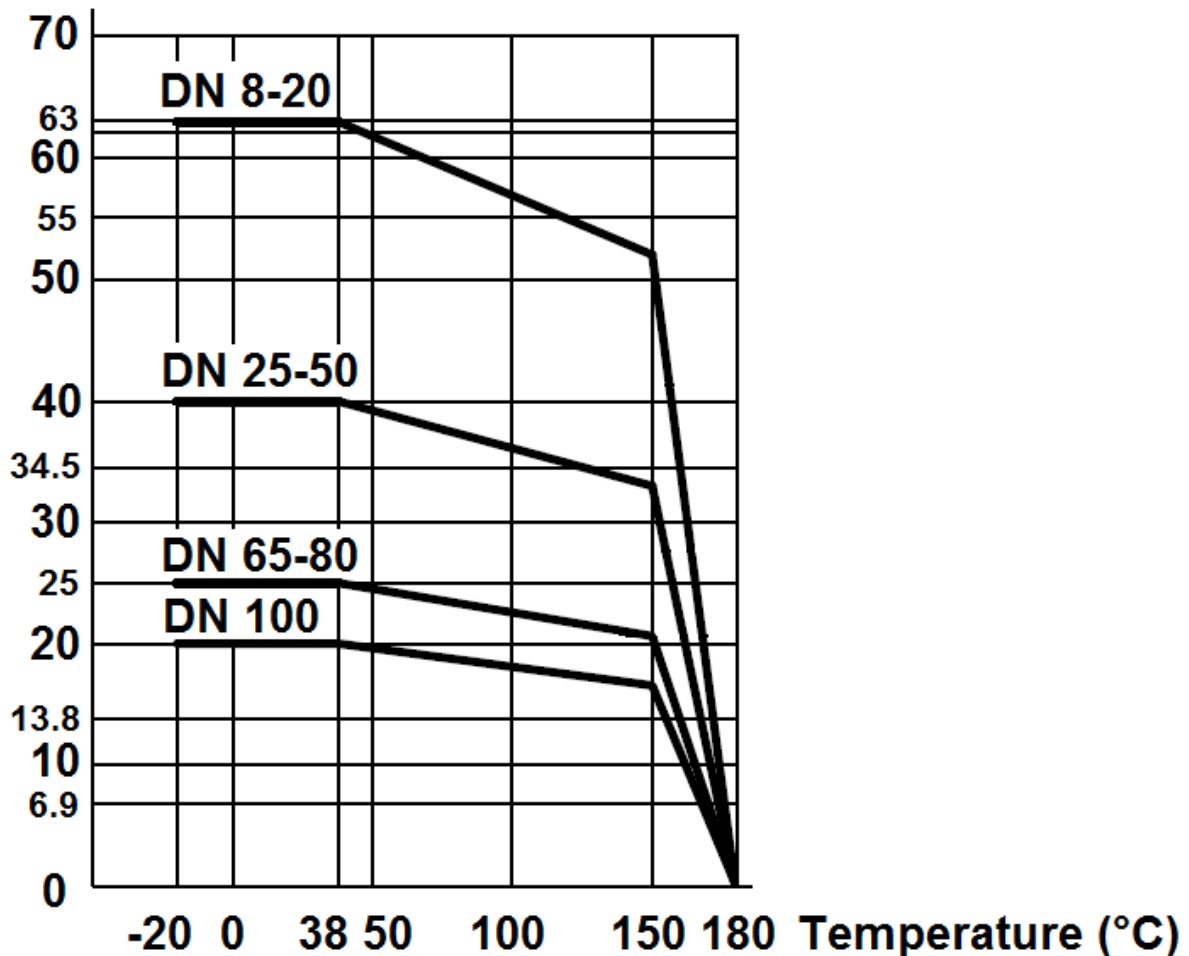
- Full bore
- Anto blow-out stem
- PTFE packing
- Locking device
- Stem extension in SS 304 ( option )
- Blue handle cover possible
- Black oxide finish

**USE :**

- Chemical and pharmaceutical industries, petrochemical industries
- Min and max Temperature Ts : -20°C to + 180°C
- Max Pressure Ps : 63 bars up to DN20, 40 bars from DN25 to 50, 25 bars from DN65 to 80 and 20 bars for DN100 (see graph under)
- Do not use with steam

**PRESSURE / TEMPERATURE GRAPH ( STEAM AND COMPRESSED AIR EXCLUDED ) :**

**Pressure ( Bar )**



**3 PIECES CARBON STEEL BALL VALVE PN63 INITIAL RANGE**

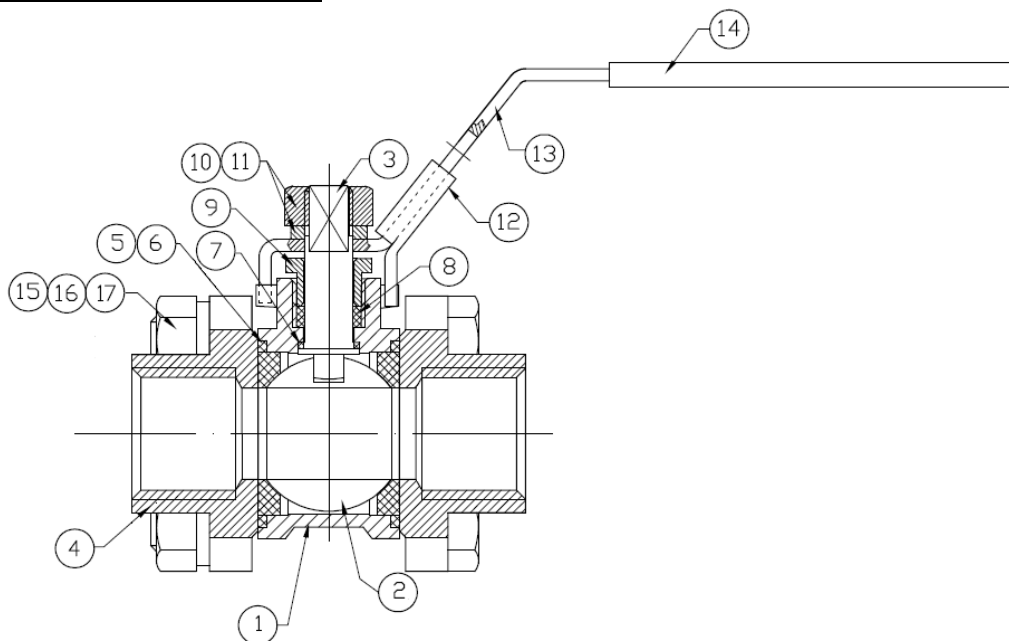
**RANGE :**

- Carbon steel 3 pieces ball valve Ref. **796/797/798** from DN 8 to DN 100 and Ref. **7961** from DN 8 to DN 50
- Blue handle cover Ref. **9830444-9830449** from DN 8 to DN 100

**ENDS :**

- Female / female threaded BSP Ref. **796**
- Female / female threaded NPT Ref. **7961**
- Socket Welding Ref. **798**
- Butt welding Ref. **797**

**MATERIALS FOR DN8 – 40 REF. 796/7961/797/798 :**

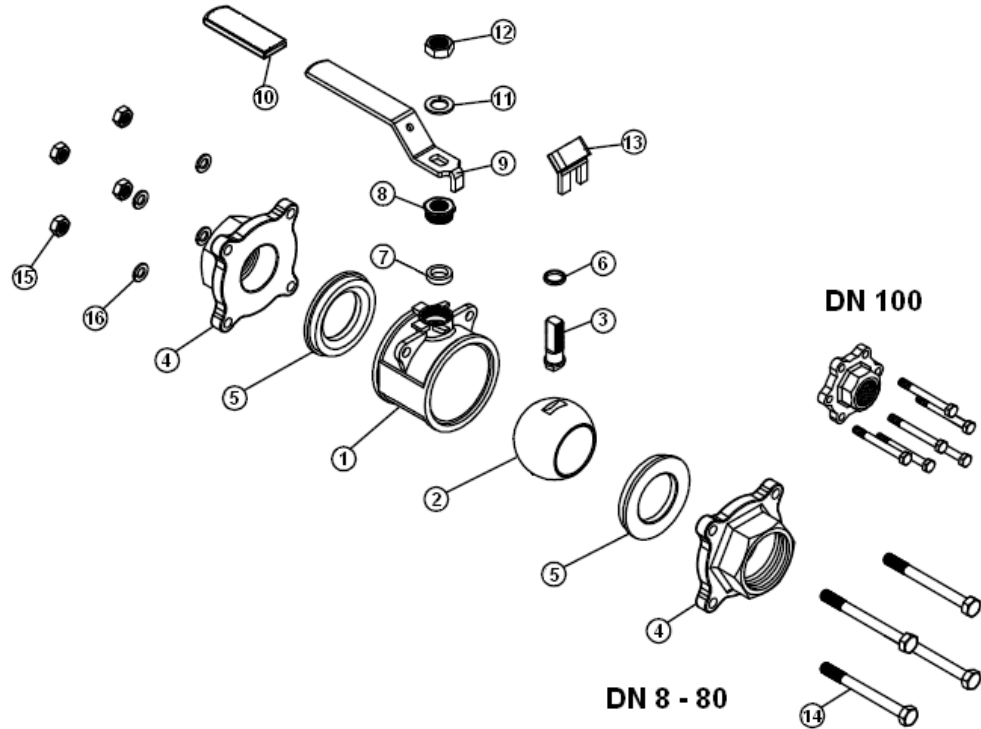


Item	Designation	Materials Ref. 796/7961/797/798 DN8-40
1	Body	ASTM A216 WCB
2	Ball	SS 304
3	Stem	SS 304
4	Ends	ASTM A216 WCB
5*	Seat	PTFE filled with 15% glass fiber
6*	Body gasket	PTFE filled with 15% glass fiber
7*	Thrust washer	PTFE
8*	Packing	PTFE
9	Packing nut	SS 304
10	Handle nut	SS 304
11	Handle washer	SS 304
12	Locking device	SS 304
13	Handle	SS 304
14	Handle cover	Plastic
15	Bolt	SS 201
16	Nut	SS 304
17	Washer	SS 304

(\* : Included in gaskets kit)

**3 PIECES CARBON STEEL BALL VALVE PN63 INITIAL RANGE**

MATERIALS FOR DN50 TO 100 REF. 796/7961/797/798 :

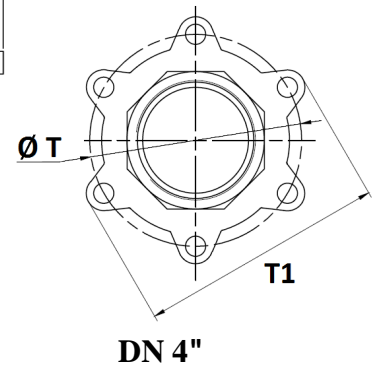
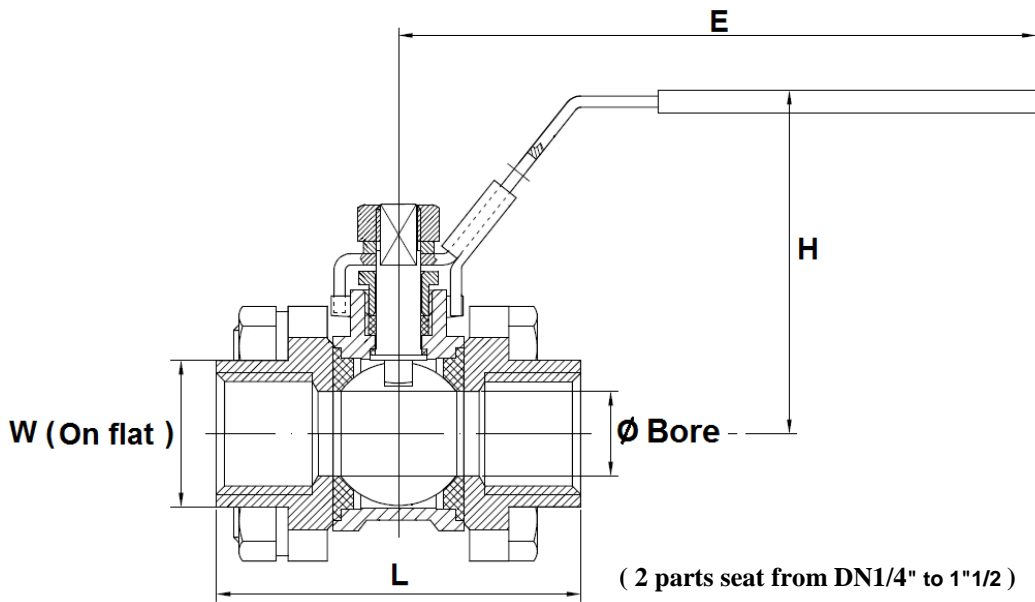
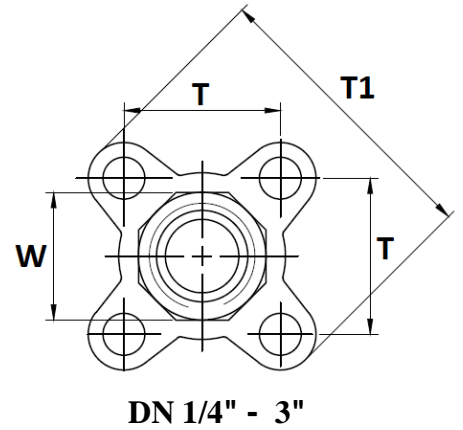
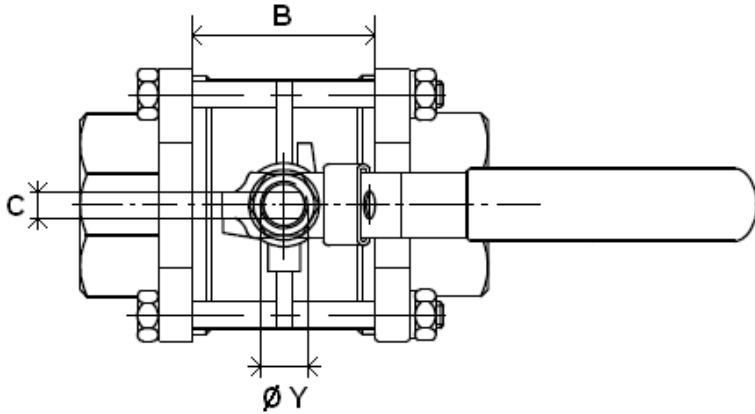


Item	Designation	Materials 796/7961/797/798 DN50-100
1	Body	ASTM A216 WCB
2	Ball	SS 304
3	Stem	SS 304
4	Ends	ASTM A216 WCB
5*	Seat	PTFE filled with 15% glass fiber
6*	Thrust washer	PTFE
7*	Packing	PTFE
8	Packing nut	SS 304
9	Handle	SS 304
10	Handle cover	Plastic
11	Handle washer	SS 304
12	Handle nut	SS 304
13	Locking device	SS 304
14	Bolt	SS 201
15	Nut	SS 304
16	Washer	SS 304

(\* : Included in gaskets kit)

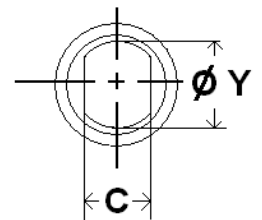
**3 PIECES CARBON STEEL BALL VALVE PN63 INITIAL RANGE**

SIZE THREADED CARBON STEEL TYPES ( in mm ) REF. 796 / 7961 :



Stem size :

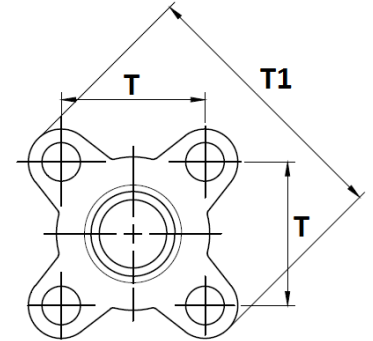
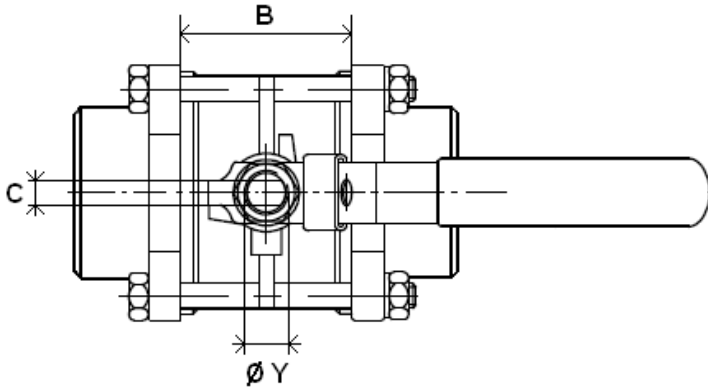
Ref.	DN	1/4"	3/8"	1/2"	3/4"	1"	1"1/4"	1"1/2"	2"	2"1/2"	3"	4"
796 7961 Threaded	Ø Bore	9.2	12.8	15	20	25	32	38	50	65	80	100
	L	59	60	65.5	76.5	86.2	103.1	118	131.5	164.5	182.7	229.6
	B	20	22	23.3	30.8	37.8	47	57	68	86.1	98.2	126.1
	E	108	108	108	108	135	135	190	190	230	230	335
	H	52	52	63	68	79	88	97	108	128	140	172
	Ø Y	8	8	8	8	10	10	12	12	14	14	20
	C	5	5	5	5	6.5	6.5	8.5	8.5	10	10	16
	T	25	28	32	40	45	53	64	79	98	116	198
	T1	48	51	59.5	71	80	91.5	108	132.8	164	194	234
	W	20	22	26	33	40	48	55	67	87	101	130
Weight ( Kg )		0.33	0.34	0.52	0.78	1.08	1.64	2.78	4.27	8.2	13	26



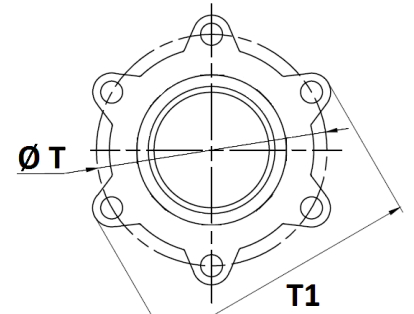
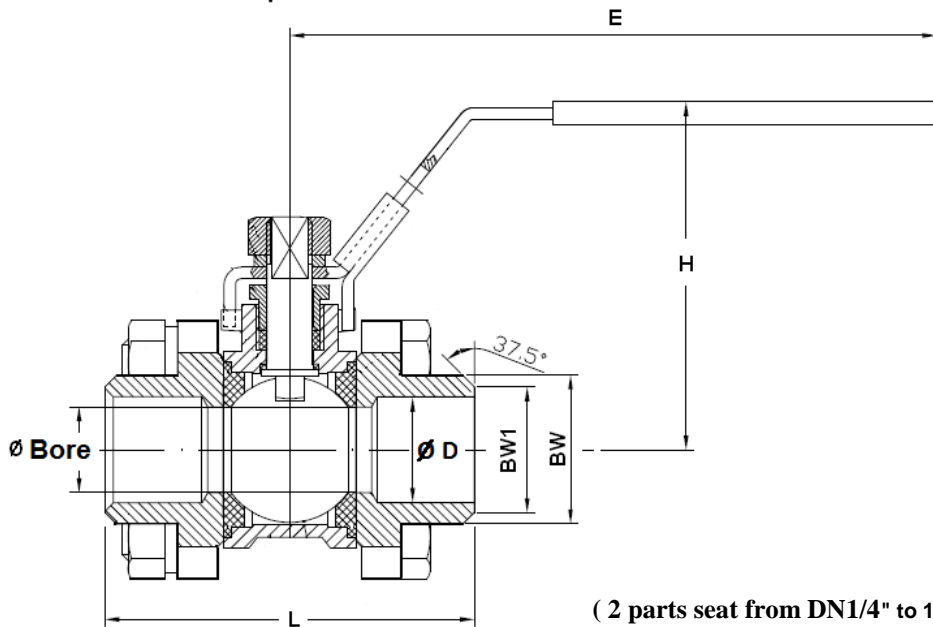


**3 PIECES CARBON STEEL BALL VALVE PN63 INITIAL RANGE**

**SIZE BUTT WELDING CARBON STEEL TYPES ( in mm ) REF. 797 :**



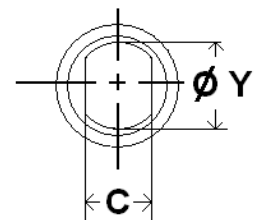
**DN 1/4" - 3"**



**DN 4"**

( 2 parts seat from DN1/4" to 1"1/2 )

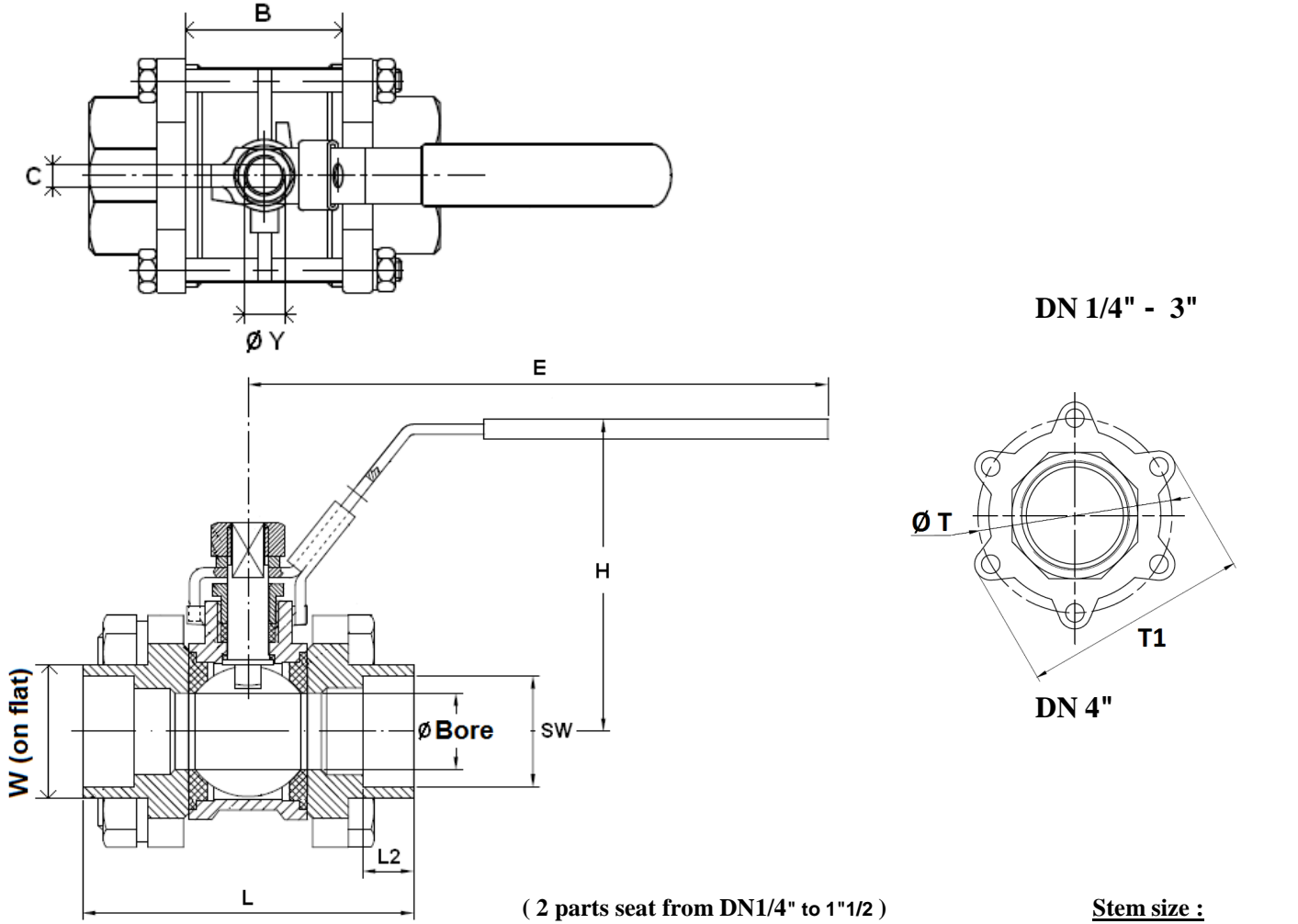
Stem size :



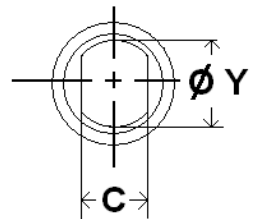
Ref.	DN	8	10	15	20	25	32	40	50	65	80	100	
797	Ø Bore	9.2	12.8	15	20	25	32	38	50	65	80	100	
	L	59	60	65.5	76.5	86.2	103.1	118	131.5	174.5	192.7	239.6	
	B	20	22	23.3	30.8	37.8	47	57	68	96.1	108.2	136.1	
	E	108	108	108	108	135	135	190	190	230	230	335	
	H	52	52	63	68	79	88	97	108	128	140	172	
	Ø Y	8	8	8	8	10	10	12	12	14	14	20	
	C	5	5	5	5	6.5	6.5	8.5	8.5	10	10	16	
	B.W.	T	25	28	32	40	45	53	64	79	98	116	198
		T1	48	51	59.5	71	80	91.5	108	132.8	164	194	234
		BW	14	17.5	22	27.5	34	43	49	61	76.5	90	115
		BW1	12	14.5	17	22.5	28.6	36	43	54	68	84	104
		Ø D	9.2	12.8	15	20	25	32	39.8	50	65	80	100
Weight ( Kg )		0.33	0.34	0.52	0.78	1.08	1.64	2.78	4.27	8.2	13	26	

**3 PIECES CARBON STEEL BALL VALVE PN63 INITIAL RANGE**

**SIZE SOCKET WELDING CARBON STEEL TYPES ( in mm ) REF. 798 :**



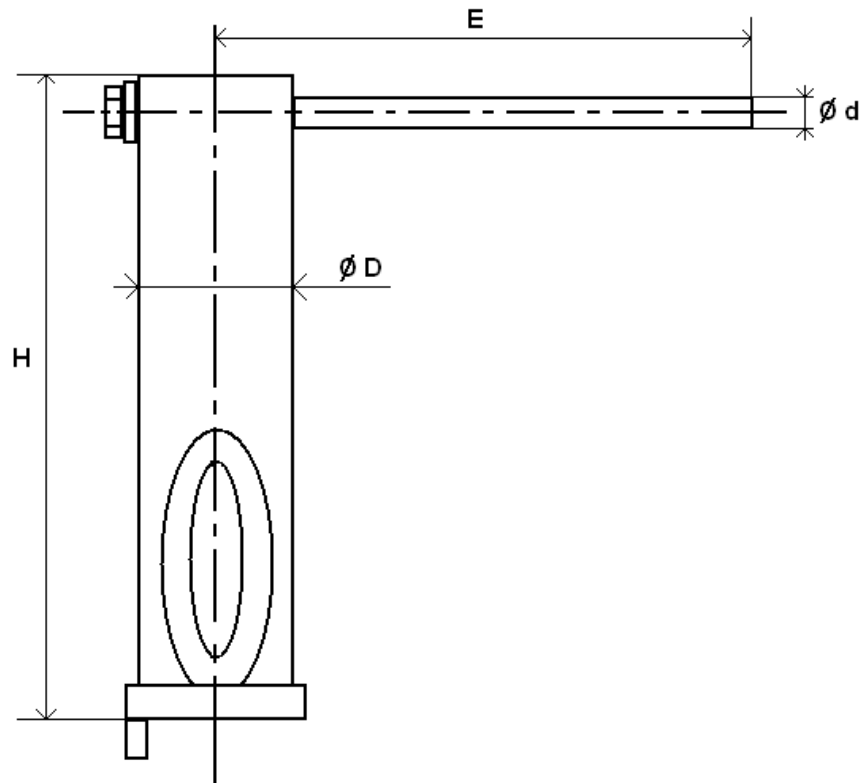
Stem size :



Ref.	DN	8	10	15	20	25	32	40	50	65	80	100	
798	Ø Bore	9.2	12.8	15	20	25	32	38	50	65	80	100	
	L	59	60	65.5	76.5	86.2	103.1	118	131.5	174.5	192.7	239.6	
	B	20	22	23.3	30.8	37.8	47	57	68	96.1	108.2	136.1	
	L2	10	10	10	13	13	13	13	16	16	16	19	
	E	108	108	108	108	135	135	190	190	230	230	335	
	H	52	52	63	68	79	88	97	108	128	140	172	
	C	5	5	5	5	6.5	6.5	8.5	8.5	10	10	16	
	S.W.	Ø Y	8	8	8	8	10	10	12	12	14	14	20
		T	25	28	32	40	45	53	64	79	98	116	198
		T1	48	51	59.5	71	80	91.5	108	132.8	164	194	234
		W	20	22	26	33	40	48	55	67	87	101	130
		SW	14.1	17.6	21.9	27.4	34.2	42.8	48.8	61.1	77	89.9	115.4
Weight ( Kg )		0.33	0.33	0.52	0.78	1.08	1.64	2.78	4.27	8.2	13	26	

**3 PIECES CARBON STEEL BALL VALVE PN63 INITIAL RANGE**

STEM EXTENSION ( in mm ) :



Ref.	DN	1/4"	3/8"	1/2"	3/4"	1"	1"1/4"	1"1/2"	2"
981060	H	125.5	125.5	125.5	125.5	125.5	125.5	127.5	127.5
	E	125	125	125	125	158	158	190	190
	Ø D	28	28	28	28	32	32	36	36
	Ø d	12	12	12	12	14	14	14	14
	Weight ( Kg )	0.3	0.3	0.3	0.3	0.3	0.4	0.4	0.6

**3 PIECES CARBON STEEL BALL VALVE PN63 INITIAL RANGE**
**TORQUE VALUES ( In Nm without safety coefficient ) :**

DN	1/4"	3/8"	1/2"	3/4"	1"	1"1/4	1"1/2	2"	2"1/2	3"	4"
Torque (Nm)	5	5	5	8	12.5	17	21	30	45	70	100

**BOLT TIGHTENING TABLE ( in Nm ) :**

DN	1/4"	3/8"	1/2"	3/4"	1"	1"1/4	1"1/2	2"	2"1/2	3"	4"
Couple (Nm)	4	4	8	8	10	13	20	20	35	45	65

**FLOW COEFFICIENT Kvs ( M3 / h ) :**

DN	1/4"	3/8"	1/2"	3/4"	1"	1"1/4	1"1/2	2"	2"1/2	3"	4"
Kvs ( m3/h )	12.4	24.01	33	58.6	91.6	148.2	211.6	366.4	619.2	938	1465.6

**STANDARDS :**

- Fabrication according to ISO 9001 : 2008
- DIRECTIVE 97/23/CE : CE N° 0035  
Risk Category III Module H
- Pressure tests according to EN 12266-1, rate A
- Threaded BSP cylindrical ends according to ISO 228-1
- Threaded NPT ends according to ANSI B1.20.1

**3 PIECES CARBON STEEL BALL VALVE PN63 INITIAL RANGE**

**INSTALLATION AND MAINTENANCE**

**BEFORE INSTALLATION :**

Pipe-line must be cleaned and free from residual of weldings,rubbish,shaving and every kind of extraneous materials.  
Pipe-line must be perfectly aligned and their support properly dimensioned so that there's no external constraint.

Check to use a produce compatible to the services conditions for the sealing of the threaded types.  
To tighten the ends,use the appropriate tool.  
Use the right bolt tightening so that the ends won't be damaged.

The welding of the ends for the SW and the BW types,must be done with the central part removed.  
A gauge can be used to have the good lenght and alignment between the ends.

**INSTALLATION OF THE CENTRAL PART**

During the installation of the central part , tighten bolts according to the table below.Tighten bolts in cross.

**BOLT TIGHTENING TABLE ( in Nm) :**

DN	1/4"	3/8"	1/2"	3/4"	1"	1"1/4"	1"1/2"	2"	2"1/2"	3"	4"
TORQUE (Nm)	4	4	8	8	10	13	20	20	35	45	65

**CLEANING AND TESTS**

Keep closed the valves during the cleaning operation so that there's no impurities between the ball and the body.

Tests under pressure must be done with a cleaned pipe-line.

Open partially the valve for tests. Pressure test do not exceed the valve specifications according to EN 12266-1.

**MAINTENANCE**

It's recommended to operate the valve twice ( open and close ) 1 to 2 times per year.

When intervention on the valve, be sure there's no pressure in the pipe-line, there's no fluid in it,and that it is isolated.  
The temperature must be low enough to operate without risks.  
If there's a corrosive fluid,inert installation before intervention.

When the valve is under pressure :  
If there's a leakage between the body and the ends, tighten bolts according to the above table

If there's a leakage at the packing, tighten it slightly so that the leakage disappears.

**MAINTENANCE OPERATION IN WORKSHOP**

**REPLACEMENT OF SEAT GASKETS AND PACKING.**

The central part must be removed.  
Turn the ball at 45° and removed the seat gaskets.  
Operate the valve in closed position to removed the ball.Verify the surface of the ball has no impacts and no scores.  
If there are important scores or impactcs,replace the ball.  
Clean inside the body valve and remove the impurities.  
To replace the packing,remove the handle,unscrew the gland nut, extract the stem by the inside of the valve.  
Clean the paking seat.  
Reassemble thrust washer on stem, introduce stem by the inside of the valve, reassemble packing with packing nut,reassemble hand washer,hand nut and the handle.  
Turn stem in closed position and insert the ball.  
Then turn the ball in opened position and reassemble the seat.  
Place the valve on the installation,tighten bolts according to the above table.  
Then proceed to the tests in the same way that the first installation.