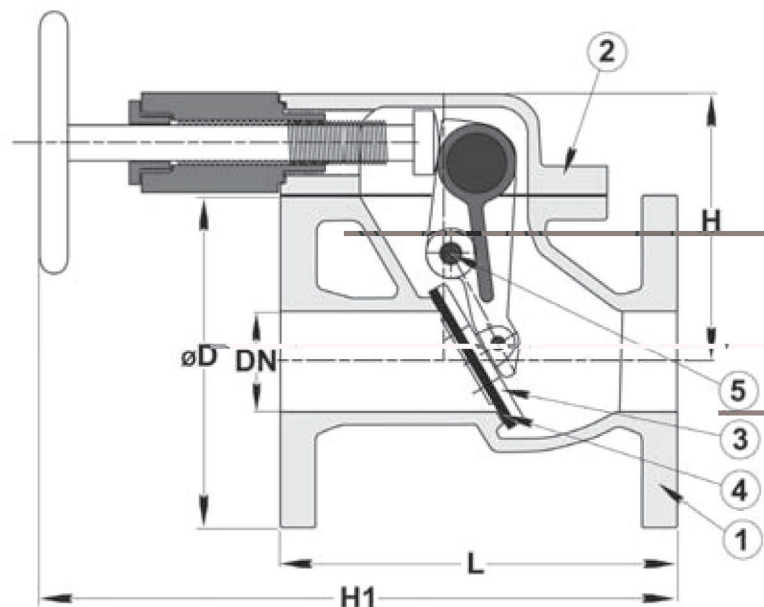




**Storm Flap Valve PN 4
Flange Straight GSC25**

Model/Ref: 159761

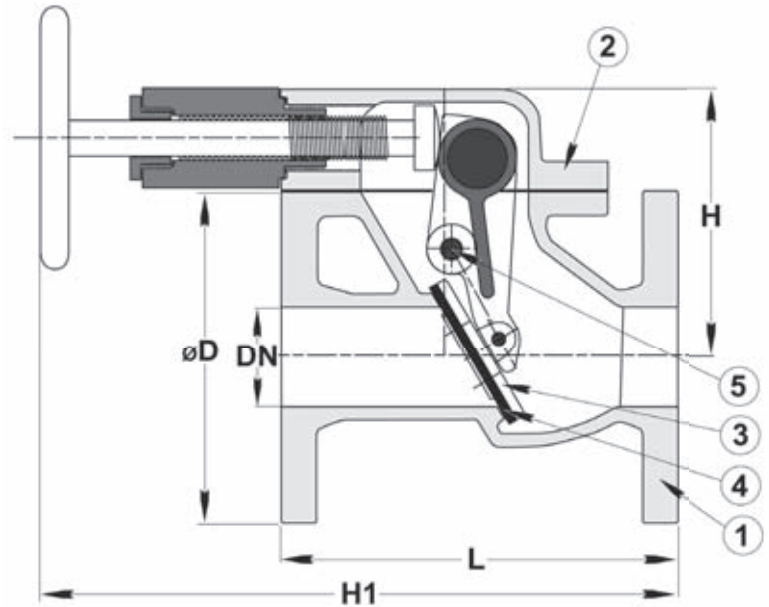


*Partnership.
Without Limits.*

www.lauridsenindustri.com

Storm Flap Valve PN 4 Flange Straight GSC25

No	Part	Material
1	Body	Cast steel GSC25
2	Bonnet	Cast steel GSC25
3	Disc	Cast steel GSC25
4	Disc ring	Nitril (NBR)
5	Hinge pin	Special brass
6	Stem nut	Special brass
7	Stem	Special brass



Flanges drilled according to PN10.

Variants:

Material Nodular Cast iron GGG40.3

Other dimensions/materials on request

DN	D	L	H	H1	n x Ød	Hcd	Max working-pressure		Weight Kg
							Mpa	60 °C	
50	165	200	137	280	4x18	125	0,4		15,0
65	185	240	148	340	4x18	145	0,4		21,0
80	200	260	174	360	8x18	160	0,4		27,0
100	220	300	195	410	8x18	180	0,4		37,0
125	250	350	216	485	8x18	210	0,4		50,0
150	285	400	242	520	8x22	240	0,4		71,0
200	340	500	310	620	8x22	295	0,4		116,0
250	395	600	400	750	12x22	350	0,4		190,0
300	445	700	400	900	12x22	400	0,4		300,0