

STAINLESS STEEL DUAL PLATE CHECK VALVE FKM SEAT

Stainless steel dual plate check valve for chemical and pharmaceutical industries, petrochemical industries and hydraulic installation.

Stainless steel body and disc with FKM vulcanized seat.

Wafer type with short length and with a hoisting eye from DN200 to 600 for easy installation.



ISO 9001 : 2015
BUREAU VERITAS
Certification



Size : DN 50 to 600

Ends : Between flanges PN10/16 from DN250 to 600
PN25 from DN50 to 200

Class 150 PN20 from DN100 to 125 and DN250 to 600

Min Temperature : -10°C

Max Temperature : +180°C

Max Pressure : 16 Bars up to DN300

Specifications : FKM vulcanized seat

Horizontal or vertical position with ascendant fluid

Wafer type

Hoisting eye from DN200 to 600

Weak headloss

Materials : Stainless steel ASTM A351 CF8M body

STAINLESS STEEL DUAL PLATE CHECK VALVE FKM SEAT

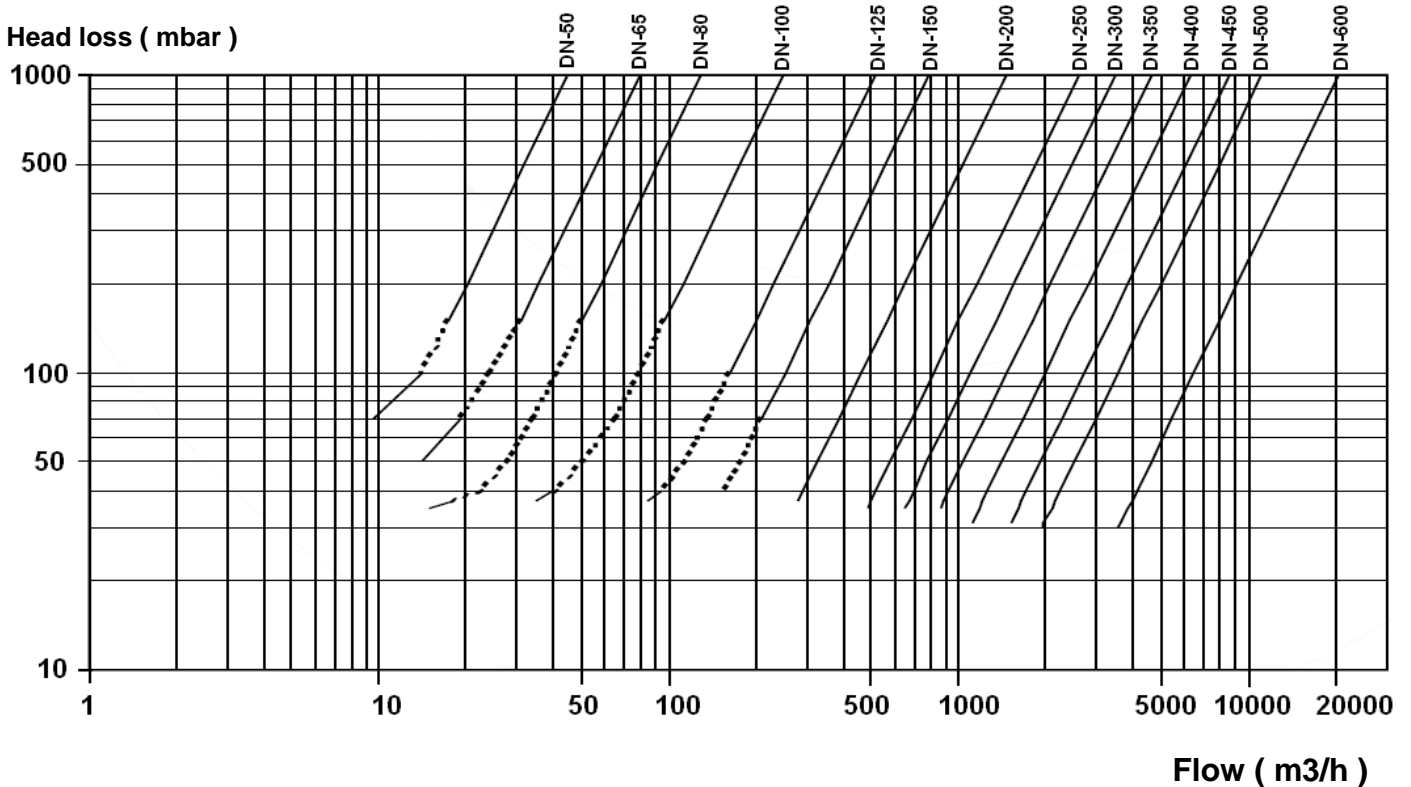
SPECIFICATIONS :

- Vulcanized gasket
- Hoisting eye from DN200 to 600
- Short length
- Anti-corrosion stainless steel spring
- PTFE bushing
- Weak head loss
- Vertical position with ascendant fluid or horizontal position (respect the flow direction indicated by the arrow)
- Between flanges PN10/16 from DN250 to 600, PN25 from DN50 to 200 and Class 150 PN20 from DN100 to 125 and DN250 to 600

USE :

- Chemical and pharmaceutical industries, petrochemical industries, hydraulic installation
- Min and max Temperature Ts : - 10°C to + 180°C
- Max Pressure Ps : 16 bars up to DN300 included and 10 bars over
- **Do not use with pulsatory speed**

HEAD LOSS GRAPH :



OPENING PRESSURE (in mbar):

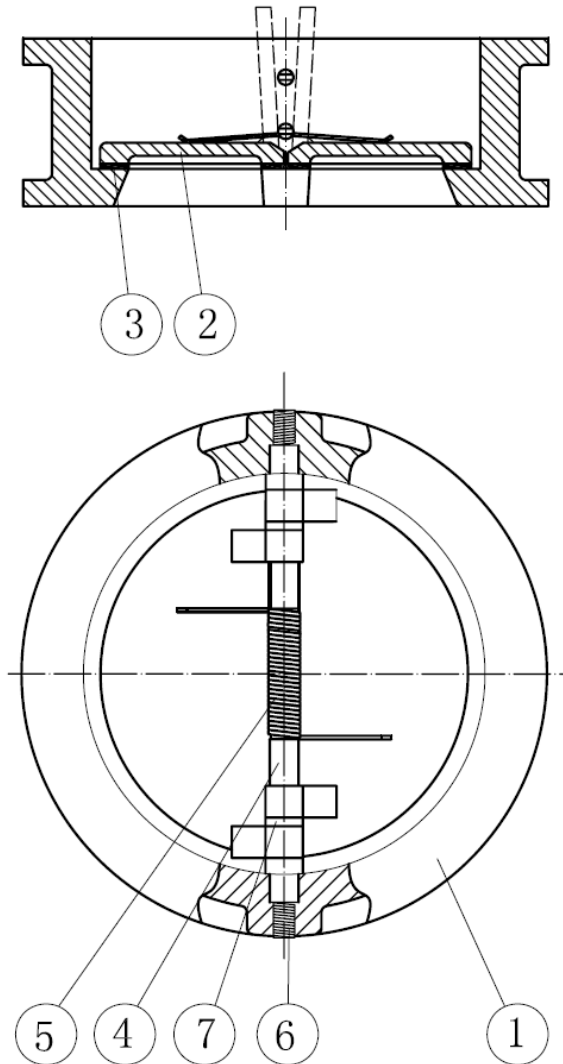
| DN | 50 | 65 | 80 | 100 | 125 | 150 | 200 | 250 | 300 |
|---------------------------------|-----|-----|-----|-----|-----|-----|-----|-----|-----|
| Horizontal position | 230 | 94 | 190 | 280 | 160 | 79 | 41 | 38 | 31 |
| Vertical position ascend. fluid | 260 | 114 | 230 | 320 | 180 | 95 | 57 | 58 | 56 |

STAINLESS STEEL DUAL PLATE CHECK VALVE FKM SEAT

RANGE :

- Dual plate check valve with Stainless steel body and disc between flanges PN25 from DN 50 to 200 and PN10/16 from DN 250 to DN 600 **Ref. 372** From DN50 to 600
- Between flanges Class 150 PN20 possible from DN100 to 125 and from DN250 to 600

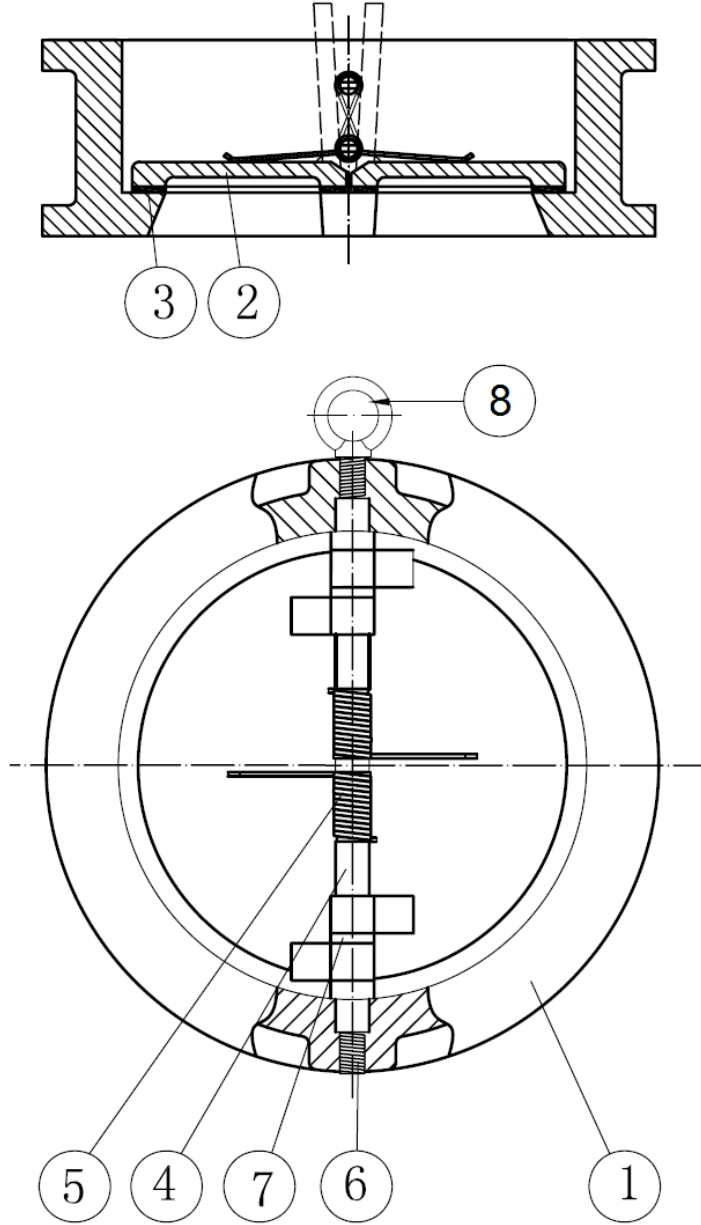
MATERIALS DN50-80 :



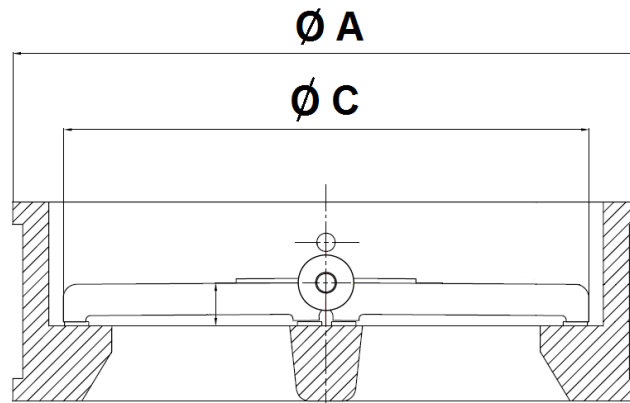
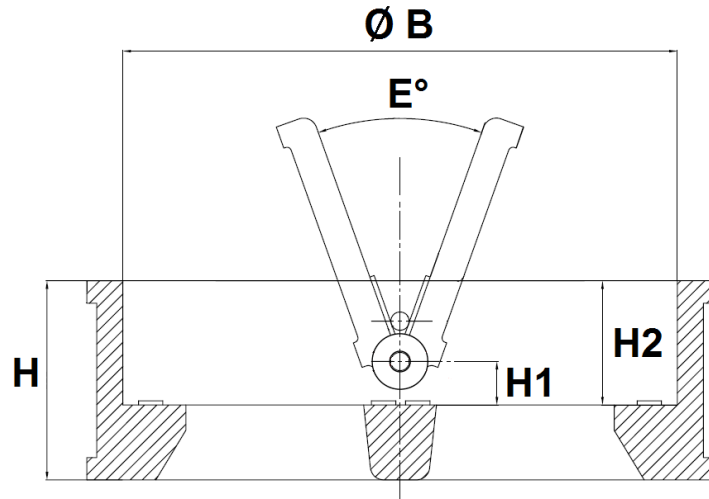
| Item | Designation | Materials |
|------|-------------|----------------|
| 1 | Body | ASTM A351 CF8M |
| 2 | Disc | |
| 3 | Seat | FKM |
| 4 | Shaft | AISI 316 |
| 5 | Spring | |
| 6 | Screw | |
| 7 | Spacer | PTFE |

STAINLESS STEEL DUAL PLATE CHECK VALVE FKM SEAT

MATERIALS DN100 - 600 :



| Item | Designation | Materials |
|------|----------------------------------|----------------|
| 1 | Body | ASTM A351 CF8M |
| 2 | Disc | |
| 3 | Seat | FKM |
| 4 | Shaft | AISI 316 |
| 5 | Spring | |
| 6 | Screw | |
| 7 | Spacer | PTFE |
| 8 | Hoisting eye (from DN200 to 600) | AISI 304 |

STAINLESS STEEL DUAL PLATE CHECK VALVE FKM SEAT
SIZE (in mm) :


| DN | 50 | 65 | 80 | 100 | 125 | 150 | 200 | 250 | 300 | 350 | 400 | 450 | 500 | 600 |
|---------------|------|------|------|-------|-------|-------|-------|-------|-------|-------|-------|-------|-------|-------|
| H | 54 | 54 | 57 | 64 | 70 | 76 | 95 | 108 | 144 | 184 | 191 | 203 | 213 | 222 |
| H1 | 14.4 | 16.9 | 19.9 | 21 | 22.3 | 22.5 | 28 | 34 | 37 | 35 | 37.5 | 42.2 | 39.5 | 48.5 |
| H2 | 43 | 43 | 45 | 47 | 51 | 54 | 69 | 71 | 100 | 120 | 123 | 122.6 | 132 | 138.5 |
| Ø A | 109 | 129 | 144 | 170 | 196 | 226 | 285 | 330 | 380 | 440 | 491 | 541 | 596 | 698 |
| Ø B | 70.5 | 83.5 | 91.5 | 115.5 | 142.5 | 169.5 | 220.5 | 275.5 | 325.5 | 356 | 406 | 467 | 514 | 616 |
| Ø C | 60.5 | 75.8 | 80.5 | 104.5 | 130.3 | 155.9 | 201.2 | 257.2 | 303.3 | 345.9 | 388.6 | 431.2 | 486.8 | 607.6 |
| E° | 0° | 0° | 0° | 0° | 0° | 0° | 0° | 0° | 0° | 20° | 20° | 20° | 25° | 25° |
| Weight (Kg) | 1.84 | 2.4 | 3.35 | 5.05 | 6.68 | 9.6 | 18.07 | 26.9 | 38.9 | 80 | 106 | 128 | 158 | 225 |

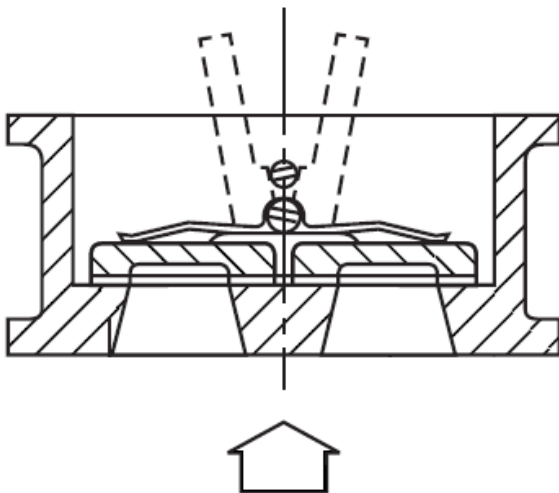
STAINLESS STEEL DUAL PLATE CHECK VALVE FKM SEAT

STANDARDS :

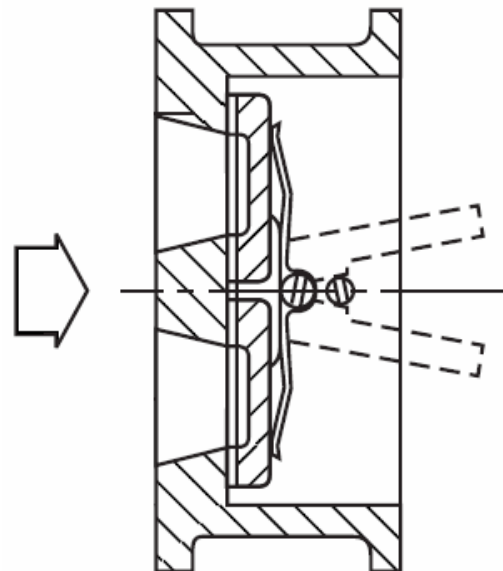
- Fabrication according to ISO 9001 : 2015
- DIRECTIVE 2014/68/EU : CE N° 0035
Risk Category III Module H
- Certificate 3.1 on request
- Designing according to API 594
- Pressure tests according to API 598, table 6
- Length according to EN 558 Series 50
- Between flanges according to EN 1092-1 PN10/16/25

INSTALLATION POSITIONS :

Vertical position (ascendant fluid)



Horizontal position



ADVICE : Our opinion and our advice are not guaranteed and Lauridsen group shall not be liable for the consequences of damages. The customer must check the right choice of the products with the real service conditions.