

**DUCTILE IRON DUAL PLATE CHECK VALVE ALUMINIUM BRONZE DISC NBR SEAT**

Aluminium bronze dual plate check valve for sea water, heating and water distribution.

Ductile iron EN GJS-400-15 body coated with anti-corrosion epoxy painting, aluminium bronze disc and vulcanized NBR seat.

Wafer type with short length and with a hoisting eye from DN200 to 350 for easy installation.



**Size :** DN 50 to 350

**Ends :** Between flanges PN10/16  
Class 150 PN20 from DN100 to 350

**Min Temperature :** -10°C

**Max Temperature :** +80°C

**Max Pressure :** 16 Bars up to DN300

**Specifications :** NBE vulcanized seat

Horizontal or vertical position with ascendant fluid

Wafer type

Hoisting eye from DN200 to 350

Weak headloss

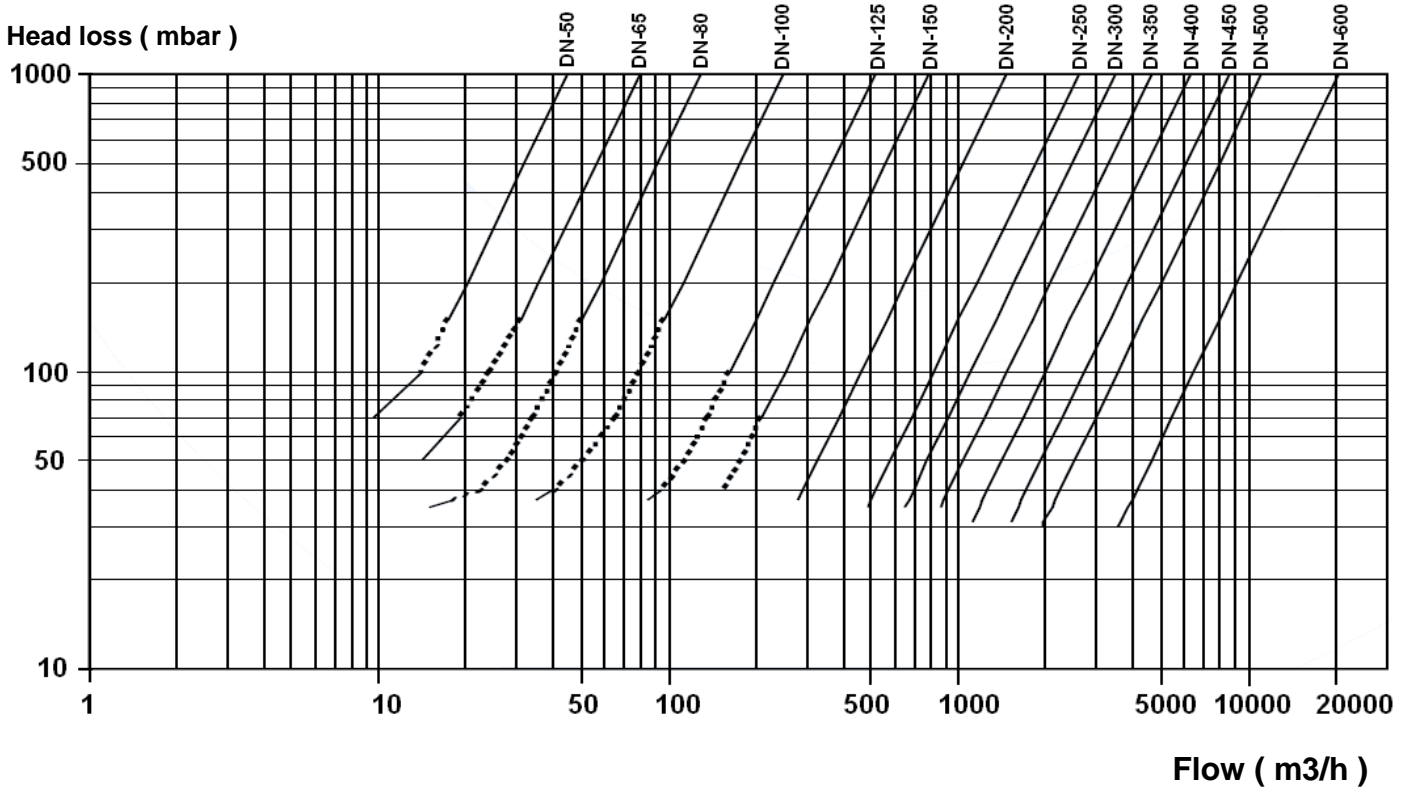
**Materials :** Ductile iron EN GJS-400-15 body

**DUCTILE IRON DUAL PLATE CHECK VALVE ALUMINIUM BRONZE DISC NBR SEAT**
**SPECIFICATIONS :**

- Vulcanized gasket
- Hoisting eye from DN200 to 350
- Short length
- Anti-corrosion stainless steel spring
- Weak head loss
- Vertical position with ascendant fluid or horizontal position ( respect the flow direction indicated by the arrow )
- Between flanges PN10/16 and Class 150 PN20 from DN100 to 350
- Anti-corrosion epoxy painting RAL003 50-100 microns thickness for body
- Bronze-Aluminium ASTM B148 C954 plates

**USE :**

- Heating, water distribution
- Min and max Temperature Ts : - 10°C to + 80°C
- Max Pressure Ps : 16 bars up to DN300
- **Do not use with pulsatory speed**

**HEAD LOSS GRAPH :**

**OPENING PRESSURE ( in mbar ) :**

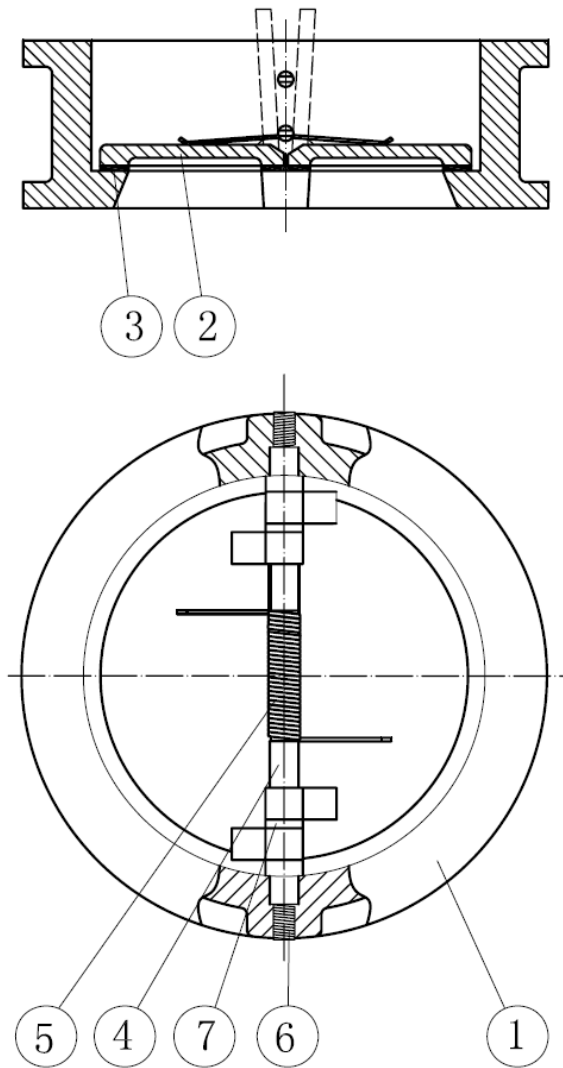
DN	50	65	80	100	125	150	200	250	300
Horizontal position	230	94	190	280	160	79	41	38	31
Vertical position ascend. fluid	260	114	230	320	180	95	57	58	56

DUCTILE IRON DUAL PLATE CHECK VALVE ALUMINIUM BRONZE DISC NBR SEAT

**RANGE :**

- Dual plate check valve with ductile iron body and bronze aluminium disc between flanges PN10/16 Ref. 379 From DN50 to DN 350
- Between flanges Class 150 PN20 possible from DN100 to 350

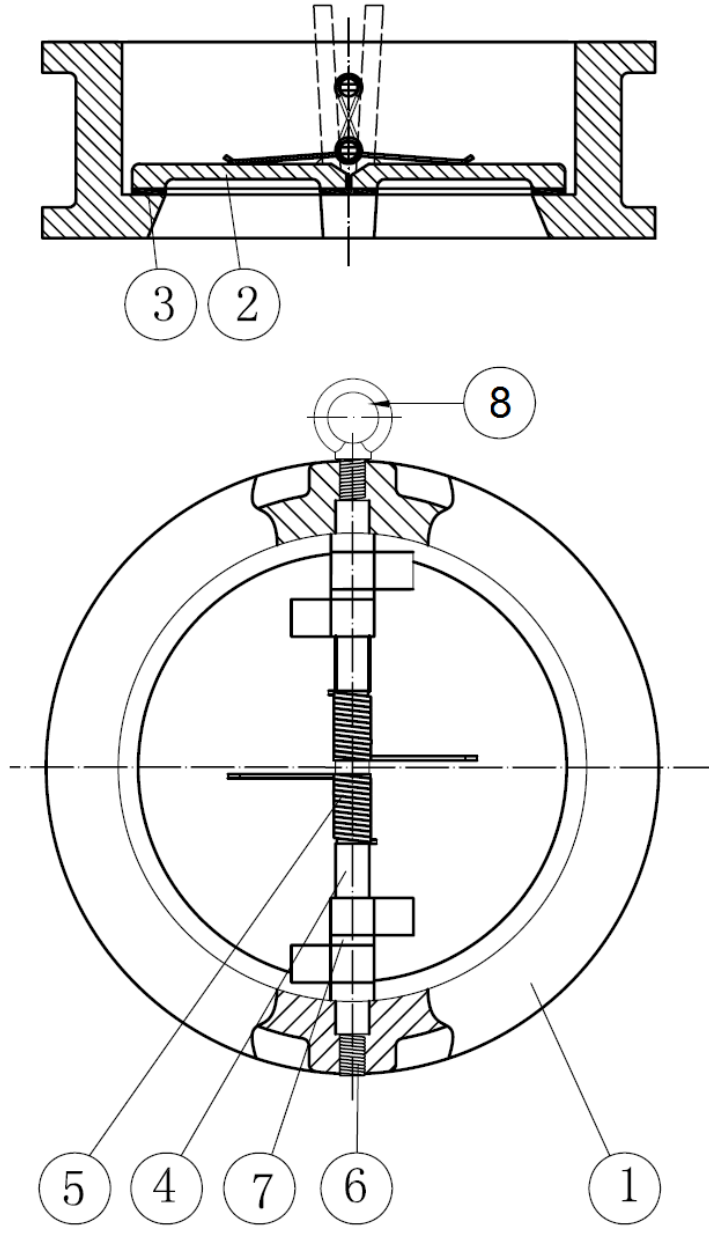
**MATERIALS DN50-80 :**



Item	Designation	Materials
1	Body	Ductile iron EN-GJS-400-15
2	Disc	Bronze-Alu ASTM B148 C954
3	Seat	NBR
4	Shaft	AISI 316
5	Spring	
6	Screw	Galvanized carbon steel
7	Spacer	PTFE

**DUCTILE IRON DUAL PLATE CHECK VALVE ALUMINIUM BRONZE DISC NBR SEAT**

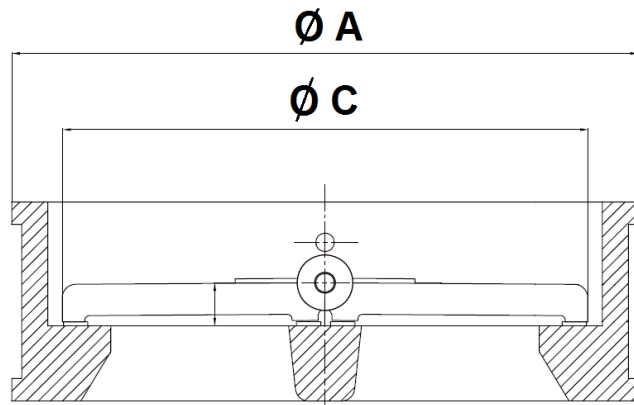
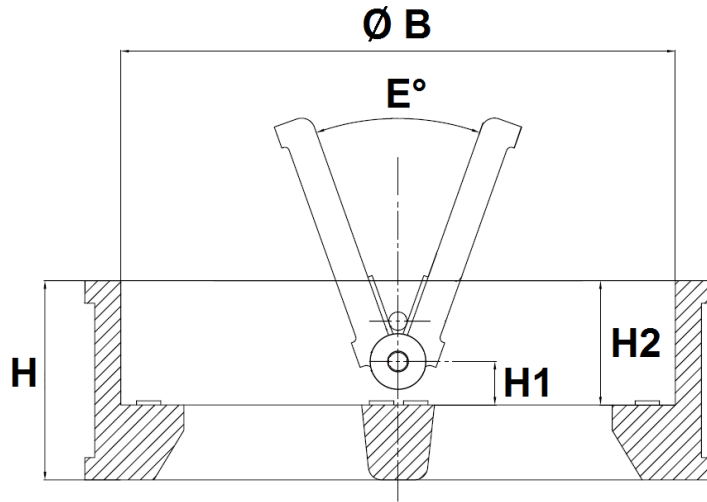
MATERIALS DN100 - 350 :



Item	Designation	Materials
1	Body	Ductile iron EN-GJS-400-15
2	Disc	Bronze-Alu ASTM B148 C954
3	Seat	NBR
4	Shaft	AISI 316
5	Spring	
6	Screw	Galvanized carbon steel
7	Spacer	PTFE
8	Hoisting eye (from DN200 to 350)	AISI 304

DUCTILE IRON DUAL PLATE CHECK VALVE ALUMINIUM BRONZE DISC NBR SEAT

SIZE ( in mm ) :



DN	50	65	80	100	125	150	200	250	300	350
H	54	54	57	64	70	76	95	108	144	184
H1	14.4	16.9	19.9	21	22.3	22.5	28	34	37	35
H2	43	43	45	47	51	54	69	71	100	120
E°	0°	0°	0°	0°	0°	0°	0°	0°	0°	20°
Ø C	60.5	75.8	80.5	104.5	130.3	155.9	201.2	257.2	303.3	345.9
Ø B	70.5	83.5	91.5	115.5	142.5	169.5	220.5	275.5	325.5	356
Ø A	109	129	144	164	194	220	275	330	380	440
Weight (Kg)	1.65	2.4	3.1	4.85	6.4	9.1	16.9	27.5	35.9	81

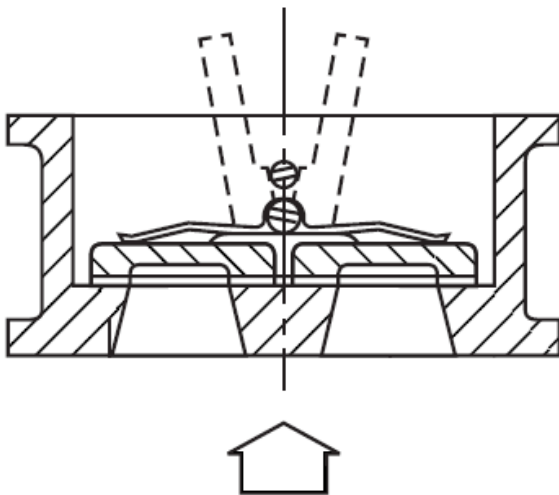
**DUCTILE IRON DUAL PLATE CHECK VALVE ALUMINIUM BRONZE DISC NBR SEAT**

**STANDARDS :**

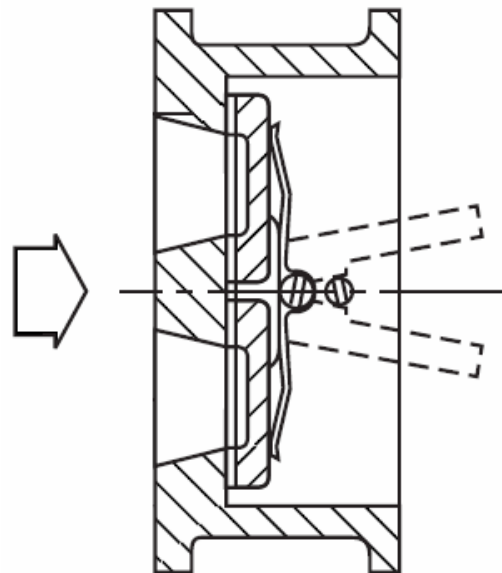
- Fabrication according to ISO 9001 : 2015
- DIRECTIVE 2014/68/EU : CE N° 0035  
Risk Category III Module H
- Certificate 3.1 on request
- Designing according to API 594
- Pressure tests according to API 598, table 6
- Length according to EN 558 Series 50
- Between flanges according to EN 1092-1 PN10/16

**INSTALLATION POSITIONS :**

**Vertical position ( ascendant fluid )**



**Horizontal position**



**ADVICE :** Our opinion and our advice are not guaranteed and Lauridsen group shall not be liable for the consequences of damages. The customer must check the right choice of the products with the real service conditions.