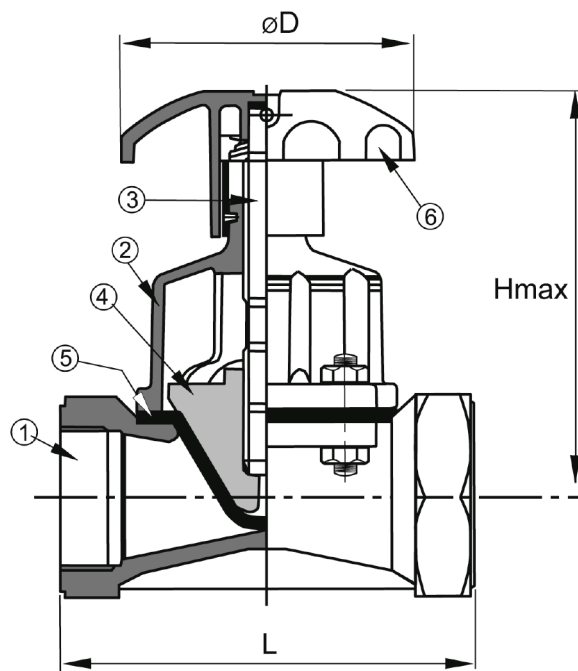




**Diaphragm Valve
PN 10 Thread Straight Bronze**

Model/Ref: 469421

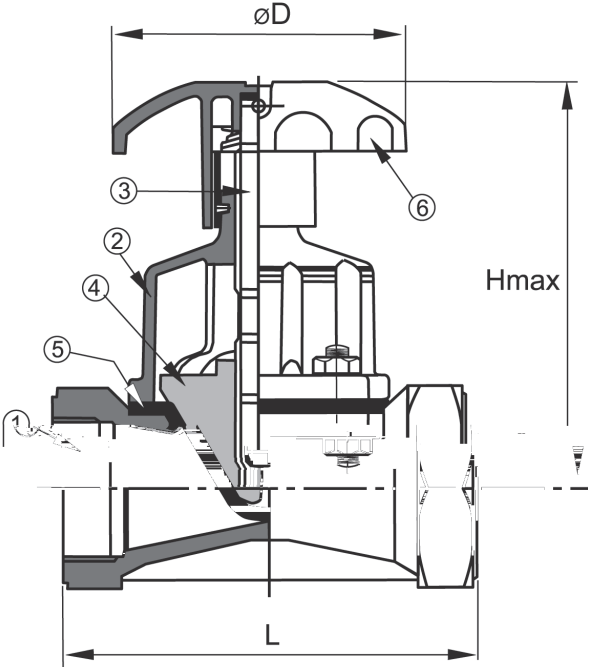


*Partnership.
Without Limits.*

www.lauridsenindustri.com

Diaphragm Valve PN 10 Thread Straight Bronze

No	Part	Material
1	Body	Bronze Rg5
2	Bonnet	Bronze Rg5
3	Stem	CuZn35Ni
4	Disc	Bronze Rg5
5	Diaphragm	NBR
6	Handwheel	Stainless steel
7		
8		
9		
10		


Variants:

- Diaphragm EPDM
- Diaphragm Natural-rubber

Other dimensions/materials on request

DN	G		D	L	Hmax	Max working-pressure		Weight Kg
						Mpa	120 °C	
25	1"		120	111	164	1,0	EPDM	2,2
32	1 1/4"		120	124	164	1,0		3,0
40	1 1/2"		120	143	164	1,0		3,9
50	2"		120	168	189	1,0		4,6