

2 PIECES STAINLESS STEEL BALL VALVE PN63 ATEX DIN M3

2 pieces stainless steel ball valve DIN M3 with full bore for Chemical industries, petrochemical industries, hydraulic installation, heating, water distribution and compressed air.

Length according to EN 16722 Series M3 (DIN long pattern M3)

PTFE packing and PTFE filled with 3% Glass fiber seat for a temperature up to +180°C.

Compatible with explosive atmosphere, ATEX Zone 1&21 and Zone 2&22 thanks to the antistatic device.



Certificate
3.1



Size : DN1/4" to DN4"

Connection : Female BSP

Min Temperature : -50°C

Max Temperature : +180°C

Max Pressure : 63 Bars (up to DN3/4")

Specifications : Long pattern DIN M3

Handle with locking device

Anti blow-out stem

ATEX

Full bore

Materials : Stainless Steel EN 1.4408

2 PIECES STAINLESS STEEL BALL VALVE PN63 ATEX DIN M3

SPECIFICATIONS :

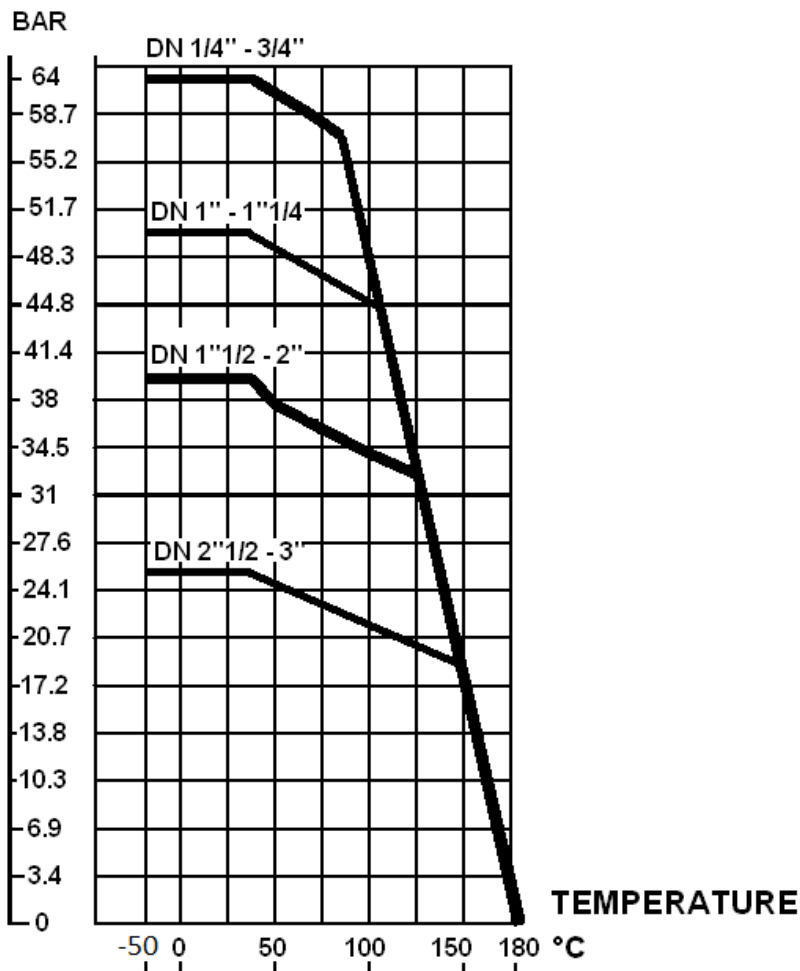
- Full bore
- Anti blow-out stem
- PTFE packing
- Locking device
- Solid ball
- 2 pieces type
- ATEX

USE :

- Chemical and pharmaceutical industries, petrochemical industries, hydraulic installation, compressed air
- Min and max Temperature Ts : -50°C to + 180°C
- Max Pressure Ps : 63 bars up to DN3/4", 50 bars from DN 1" to 1"1/4, 40 bars from DN 1"1/2 to 2" , 25 bars from DN 2"1/2 to 3" and 16 bars for DN 4" (see graph)

PRESSURE / TEMPERATURE GRAPH (STEAM EXCLUDED) :

PRESSURE



2 PIECES STAINLESS STEEL BALL VALVE PN63 ATEX DIN M3
FLOW COEFFICIENT Kvs (M3 / h) :

DN	1/2"	3/4"	1"	1"1/4	1"1/2	2"	2"1/2	3"	4"
Kvs (m3/h)	25	50	100	180	270	490	950	1160	2200

TORQUE VALUES (in Nm without safety coefficient) :

DN	1/4"	3/8"	1/2"	3/4"	1"	1"1/4	1"1/2	2"	2"1/2	3"	4"
Torque (Nm)	2.7	2.7	3	4	5	6	8	10	40	60	100

RANGE :


- Stainless steel body BSP threaded with red handle **Ref. 706** DN 1/4" to DN 4"



- Stainless steel body BSP threaded with red SS304 butterfly handle **Ref. 7061** DN 1/4" to DN 1"



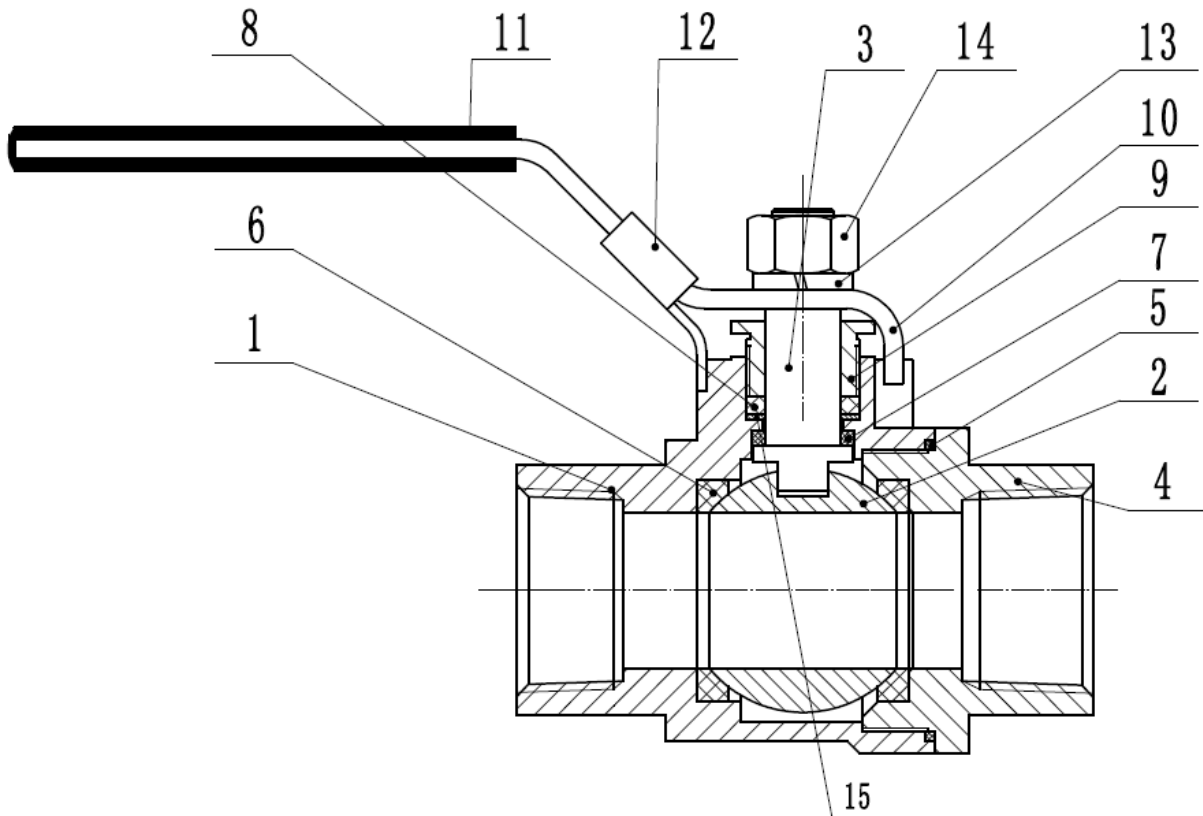
- Blue handle cover **Ref. 9830380 to 9830384** DN 1/4" to DN 3"



- AISI 304 red butterfly handle **Ref. 9831131 to 9831134** DN 1/4" to DN 1"

2 PIECES STAINLESS STEEL BALL VALVE PN63 ATEX DIN M3

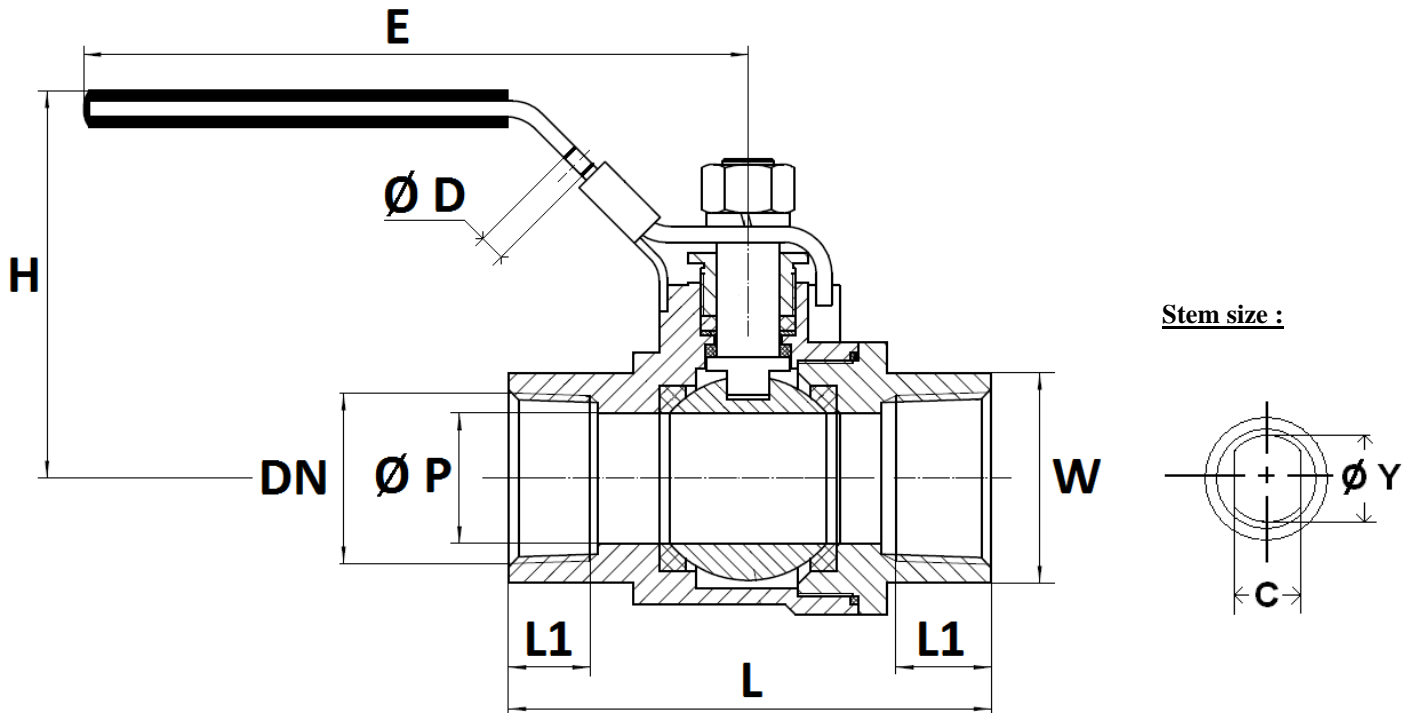
MATERIALS :



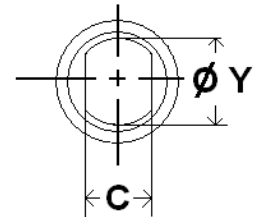
Item	Designation	Materials
1	Body	EN 1.4408
2	Ball	AISI 316
3	Stem	AISI 304
4	End	EN 1.4408
5	Body gasket	PTFE
6	Seat	PTFE filled with 3% glass fiber
7	Gasket	PTFE
8	Packing	
9	Packing nut	AISI 304
10	Handle	
11	Handle cover	Plastic
12	Locking device	AIS 304
13	Washer	
14	Nut	
15	Antistatic device	

2 PIECES STAINLESS STEEL BALL VALVE PN63 ATEX DIN M3

SIZE (in mm) :



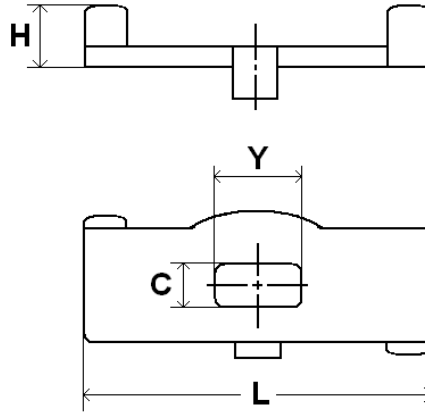
Stem size :



DN	1/4"	3/8"	1/2"	3/4"	1"	1"1/4"	1"1/2"	2"	2"1/2"	3"	4"
Ø P	9.2	12.5	15	20	25	32	38	50	65	80	100
L	50	60	75	80	90	110	120	140	185	205	240
Ø D	8	8	8	8	8	8	8	8	8	8	8
E	83	83	103	103	151	151	194	194	285	285	285
H	49	53	60	62	77	81	91	103	117	127	149
L1 (BSP)	10	10.5	13.5	14.5	17.5	19	19	23.5	27	30.5	36
W on flat	19	22	26	32	38	50	54	68	85	98	125
C	4	5	6.5	6.5	8	8	8.5	8.5	12	12	16
Ø Y	M6	M8		M10		M12		M16		M20	
Weight (Kg)	0.27	0.26	0.32	0.42	0.67	1.12	1.73	2.78	5.78	8.38	14.18
Ref.	706002	706003	706004	706005	706006	706007	706008	706009	706010	706011	706012

2 PIECES STAINLESS STEEL BALL VALVE PN63 ATEX DIN M3

BUTTERFLY HANDLE SIZE (in mm) :



- **Ref. 983113 :**

DN	1/4"	3/8"	1/2"	3/4"	1"
L	55	55	60	60	70
H	20	20	22	22	28
C	4	5	6.5	6.5	8
Y	7	8	9.5	9.5	11.5
Ref.	9831131	9831132	9831133		9831134

2 PIECES STAINLESS STEEL BALL VALVE PN63 ATEX DIN M3**STANDARDS :**

- Manufacturer certified ISO 9001 : 2015
- DIRECTIVE 2014/68/EU : CE N° 0035
Risk category III Module H
- Certificate 3.1 on request
- Pressure Tests according to ISO 5208, Rate A
- Threaded ends BSP cylindrical according to ISO 228-1
- Length according to EN 16722 Series M3 (DIN 3202 M3)
- ATEX Group II Category 2 G/2Dc T3 Zone 1 & 21 Zone 2 & 22 (optional marking)

ADVICE : Our opinion and our advice are not guaranteed and Lauridsen group shall not be liable for the consequences of damages. The customer must check the right choice of the products with the real service conditions.

INSTALLATION AND MAINTENANCE**BEFORE INSTALLATION :**

Pipe-line must be cleaned and free from residual of weldings, rubbish, shaving and every kind of extraneous materials.
Pipe-line must be perfectly aligned and their support properly dimensioned so that there's no external constraint.

Please use the right product according to the services conditions to seal the valve.
Use the right bolt tightening so that the ends won't be damaged.

CLEANING AND TESTS

Keep opened the valves during the cleaning operation so that there are no impurities between the ball and the body.

Tests under pressure must be done with a cleaned pipe-line.

Open partially the valve for tests. Pressure test do not exceed the valve specifications according to ISO 5208.

MAINTENANCE

It's recommended to operate the valve twice (open and close) 1 to 2 times per year.

When intervention on the valve, be sure there's no pressure in the pipe-line, there's no fluid in it, and that it is isolated.
The temperature must be low enough to operate without risks.
If there's a corrosive fluid, inert installation before intervention.

When the valve is under pressure :

If there's a leakage at the packing, tighten it slightly so that the leakage disappears.