

STAINLESS STEEL CAM-LOCK COUPLERS (2241-2248)

Stainless steel cam-lock couplings for all common fluids of 2nd group.
According to MIL-C-27487 and A-A 59326 standards.
NBR gasket with the couplers.



Size : DN15 to DN100 (1/2" to 4")
Connection : Female, Male BSP and hose coupling
Min Temperature : -10°C
Max Temperature : +80°C
Max Pressure : 16 Bars
Specifications : Stainless steel fittings
NBR gasket
Stainless steel cam
According to MIL-C-27487 and A-A 59326

Materials : Stainless steel ASTM A351 CF8M

STAINLESS STEEL CAM-LOCK COUPLERS (2241-2248)

SPECIFICATIONS :

- Stainless steel fittings
- NBR gasket (only for couplers)
- According to MIL-C-27487 and A-A 59326

USE :

- For all common fluids of 2nd group
- Min and max Temperature Ts : - 10°C to + 80°C
- Max Pressure Ps : See the table thereafter

DN	1/2"	3/4"	1"	1"1/4	1"1/2	2"	2"1/2	3"	4"
Ps (Bar)	11	18	18	18	18	18	16	14	14

RANGE :

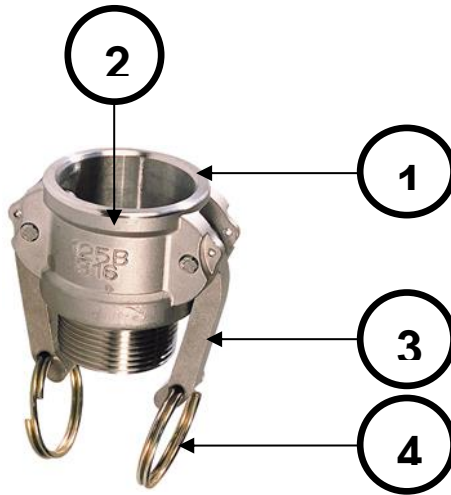
- Female adapter type A **Ref.2241** DN 1/2" to DN 4"
- Male coupler type B **Ref.2242** DN 1/2" to DN 4"
- Hose coupler type C **Ref.2243** DN 1/2" to DN 4"
- Female coupler type D **Ref.2244** DN 1/2" to DN 4"
- Hose adapter type E **Ref.2245** DN 1/2" to DN 4"
- Male adapter type F **Ref.2246** DN 1/2" to DN 4"
- Cap coupler type DC **Ref.2247** DN 1/2" to DN 4"
- Plug adapter type DP **Ref.2248** DN 1/2" to DN 4"
- **Other gasket on demand : EPDM , FKM and FKM+PTFE**

TEMPERATURE AND REFERENCE FOR GASKET NBR, EPDM, FKM AND FKM+PTFE :

GASKET	TEMPERATURE	1/2"	3/4"	1"	1"1/4	1"1/2	2"	2"1/2	3"	4"
NBR	From -10°C to +80°C	9830860	9830861	9830862	9830863	9830864	9830865	9830866	9830867	9830868
EPDM	From -10°C to +130°C	9830850	9830851	9830852	9830853	9830854	9830855	9830856	9830857	9830858
FKM	From -10°C to +180°C	9830870	9830871	9830872	9830873	9830874	9830875	9830876	9830877	9830878
FKM+PTFE	From -10°C to +180°C	9830880	9830881	9830882	9830883	9830884	9830885	9830886	9830887	9830888

STAINLESS STEEL CAM-LOCK COUPLERS (2241-2248)

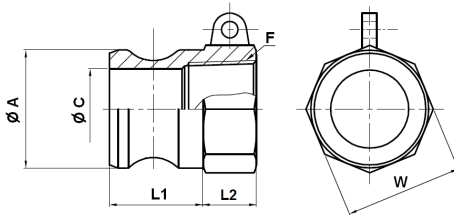
MATERIALS :



Item	Designation	Materials
1	Body	ASTM A351 CF8M
2	Gasket	NBR
3	Cam	ASTM A351 CF8M
4	Ring	ASTM A351 CF8M

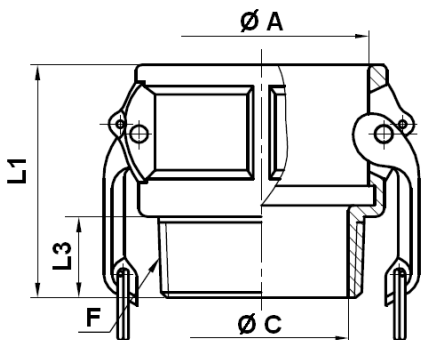
STAINLESS STEEL CAM-LOCK COUPLERS (2241-2248)
SIZE (in mm) :

- Female adapter type A Ref.2241



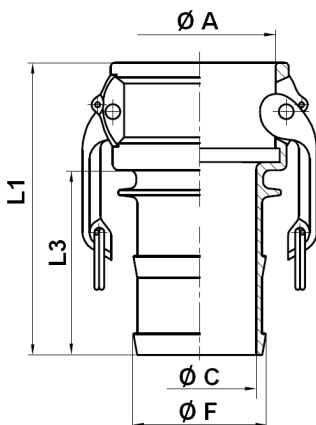
REF.	DN	1/2"	3/4"	1"	1"1/4	1"1/2	2"	2"1/2	3"	4"
2241	F	1/2"	3/4"	1"	1"1/4	1"1/2	2"	2"1/2	3"	4"
	Ø A	24	32.4	36.7	45.5	53.5	63	75.8	91.5	119.5
	Ø C	14.17	21.9	24.6	30.2	38	46.85	58.4	75	102.4
	L1	25.4	25.5	33.5	39	41	47.5	49	50	52
	L2	14.6	11	12	12	13	13	16	18	21
	W on flat	26	32.5	38	47	54.5	65	80	94	120
	Weig. (Kg)	0.067	0.116	0.159	0.208	0.287	0.432	0.757	0.726	1.290

- Male coupler type B Ref.2242



REF.	DN	1/2"	3/4"	1"	1"1/4	1"1/2	2"	2"1/2	3"	4"
2242	F	1/2"	3/4"	1"	1"1/4	1"1/2	2"	2"1/2	3"	4"
	Ø A	24.3	32.5	37.3	46	54	63.8	76.5	92.2	120.2
	Ø C	13	19.5	25.4	33.8	40	51	62	76	100
	L1	44	47	55.5	61	63	72	81	84	91
	L3	15	15.5	19.5	20	20.5	24	29.5	31	36
	Weig. (Kg)	0.163	0.202	0.285	0.457	0.496	0.622	0.949	1.343	1.877

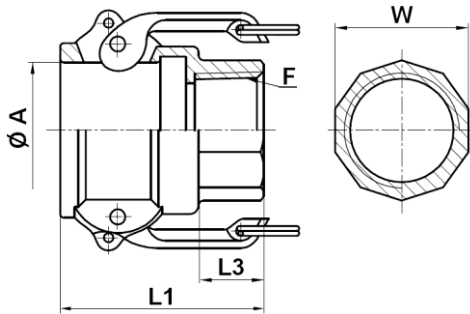
- Hose coupler type C Ref.2243



REF.	DN	1/2"	3/4"	1"	1"1/4	1"1/2	2"	2"1/2	3"	4"
2243	Ø F	15	21	27.3	34	40.4	53	66.7	79	104.5
	Ø A	24.3	32.5	37.3	46	54	63.8	76.5	92.2	120.2
	Ø C	8.2	14.2	20.6	26.6	33	44.5	57.5	69	93
	L1	64	81.5	93	98	103.5	117	130.5	151	159
	L3	35	50	57	57	61	69	79	98	104
	Weig. (Kg)	0.195	0.232	0.315	0.515	0.583	0.690	1.231	1.863	2.507

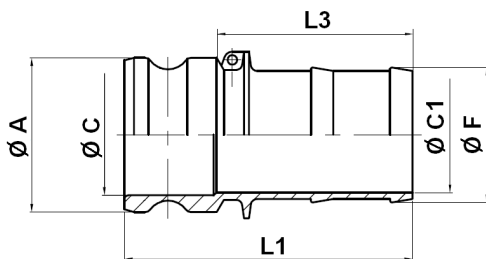
STAINLESS STEEL CAM-LOCK COUPLERS (2241-2248)
SIZE (in mm) :

- Female coupler type D Ref.2244



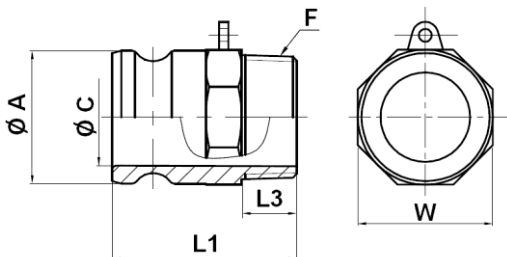
REF.	DN	1/2"	3/4"	1"	1"1/4"	1"1/2"	2"	2"1/2"	3"	4"
2244	F	1/2"	3/4"	1"	1"1/4"	1"1/2"	2"	2"1/2"	3"	4"
	Ø A	24.3	32.5	37.3	46	54	63.8	76.5	92.2	120.2
	L1	43.5	46	54	61	63	72	80.5	84	89
	L3	14.5	14.5	18	20	20.5	24	29	31	34
	W on flat	26	31	38	47	54	65	80	93.5	120
	Weig. (Kg)	0.188	0.239	0.315	0.463	0.532	0.661	0.892	1.354	2.003

- Hose adapter type E Ref.2245



REF.	DN	1/2"	3/4"	1"	1"1/4"	1"1/2"	2"	2"1/2"	3"	4"
2245	Ø F	15	21	27.3	34	40.4	53	66.7	79	104.5
	Ø A	24	32.4	36.7	45.5	53.5	63	75.8	91.5	119.5
	Ø C	14.17	21.9	24.6	30.2	38	46.85	58.4	75	102.4
	Ø C1	8.2	14.2	20.6	26.5	33	44	57	69	93
	L1	68.5	86.5	99	104	111	128	140	160	166
	L3	45	63.1	68	71.4	77	88	98	118	123
	Weig. (Kg)	0.111	0.165	0.268	0.375	0.527	0.683	1.216	1.766	2.443

- Male adapter type F Ref.2246

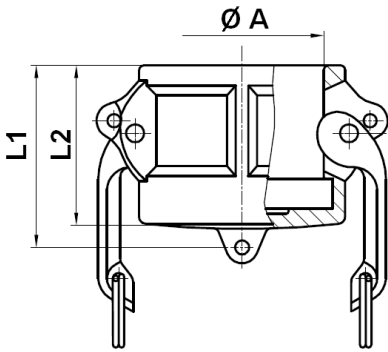


REF.	DN	1/2"	3/4"	1"	1"1/4"	1"1/2"	2"	2"1/2"	3"	4"
2246	F	1/2"	3/4"	1"	1"1/4"	1"1/2"	2"	2"1/2"	3"	4"
	Ø A	24	32.4	36.7	45.5	53.5	63	75.8	91.5	119.5
	Ø C	14.17	21.9	24.6	30.2	38	46.85	58.4	75	102.4
	L1	50.4	51.5	63	71	73.5	84.5	95	98	108
	L3	15	16	18.5	21	20.5	24	30	31	36
	W on flat	26.4	32.5	38	47	54.5	65	78	94	120
	Weig. (Kg)	0.086	0.176	0.249	0.250	0.382	0.522	1.049	1.170	2.193

STAINLESS STEEL CAM-LOCK COUPLERS (2241-2248)

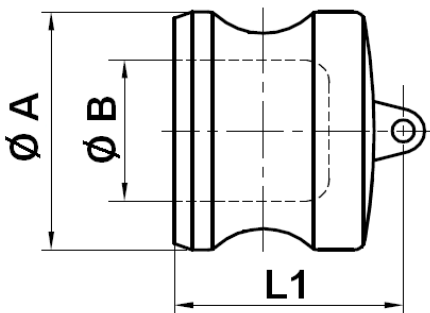
SIZE (in mm) :

- Cap coupler type DC Ref.2247



REF.	DN	1/2"	3/4"	1"	1"1/4"	1"1/2"	2"	2"1/2"	3"	4"
2247	Ø A	24.3	32.5	37.3	46	54	63.8	76.5	92.2	120.2
	L1	34	36.5	41.7	47.6	51	54	58	62.5	65
	L2	29	31.5	36	41	42.5	48	51.5	53	55
	Weig. (Kg)	0.156	0.183	0.260	0.415	0.456	0.69	0.847	1.195	1.924

- Cap adapter type DP Ref.2248



REF.	DN	1/2"	3/4"	1"	1"1/4"	1"1/2"	2"	2"1/2"	3"	4"
2248	Ø A	24	32.4	36.7	45.5	53.5	63	75.8	91.5	119.5
	Ø B	14.17	21.9	24.6	30.2	38	46.85	58.4	75	102.4
	L1	31	30	37.4	43	44.2	48	53.5	56.5	58
	Weig. (Kg)	0.089	0.084	0.142	0.236	0.299	0.443	0.679	0.959	1.514

STANDARDS :

- Manufacturer certified ISO 9001 : 2015
- Directive 2014/68/EU : Products excluded from directive (Article 4, § 3)
- Designing according to MIL-C-27487 and A-A 59326
- Threaded female BSP cylindrical according to ISO 228-1 and male BSP conical according to ISO 7-1 R

ADVICE : Our opinion and our advice are not guaranteed and Lauridsen Group shall not be liable for the consequences of damages. The customer must check the right choice of the products with the real service conditions.