

RUBBER EXPANSION JOINT NBR WITH SWIVELING FLANGES PN10/16

NBR expansion joint with swiveling flanges to absorb vibrations and noises on oil, hydrocarbon and air networks.
NBR single sphere body and floating flanges in electro galvanized carbon steel.
For linear and angular compansion.



- Size :** DN32 to DN200
- Connection :** Flanges PN10/16
- Min Temperature :** -10°C
- Max Temperature :** +80°C
- Max Pressure :** 16 Bars
- Specifications :** Absorb vibrations and noises
Linear and angular compansion
Single sphere NBR tube
Swiveling flanges
- Materials :** Electro galvanized steel flanges

RUBBER EXPANSION JOINT NBR WITH SWIVELING FLANGES PN10/16

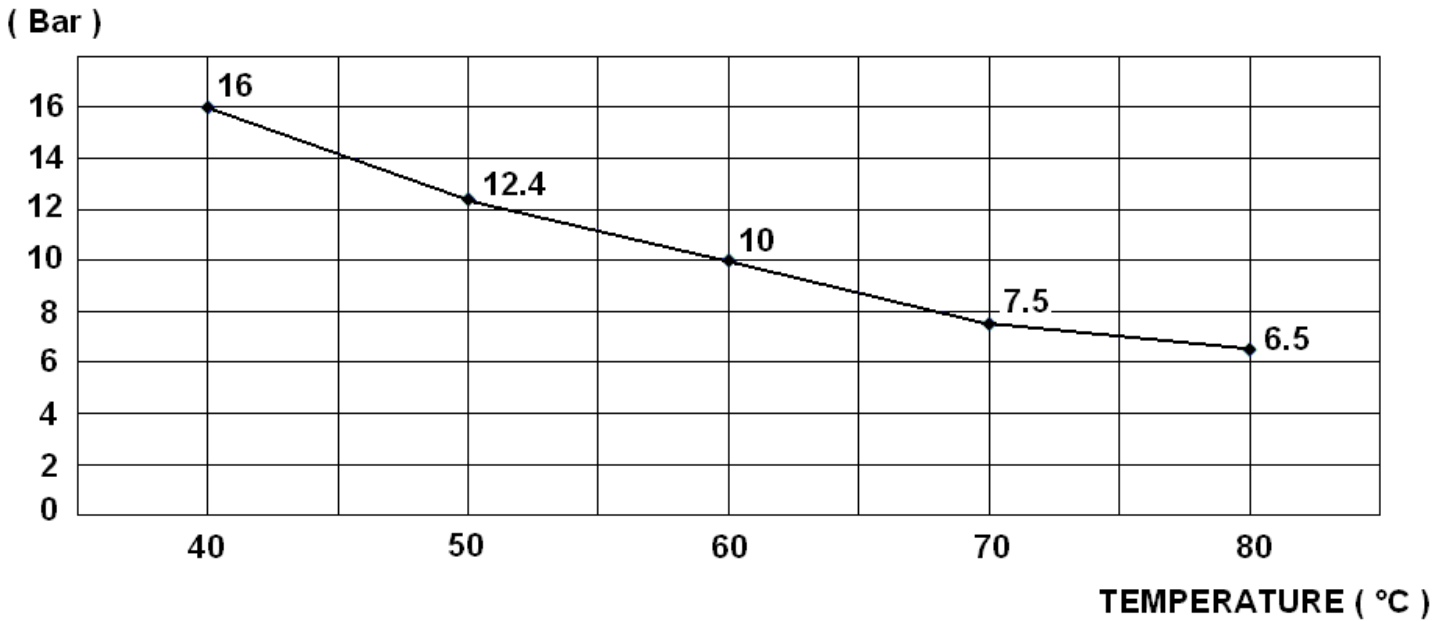
SPECIFICATIONS :

- Absorb vibration, noises and expansion
- Linear and angular compansion
- Tube NBR (NBR marking)
- Electro galvanized steel flanges PN10/16
- Expansion limiter (option)

USE :

- Oil, hydrocarbon, air
- Min and max Temperature Ts : - 10°C to + 80°C
- Max Pressure Ps : 16 bars (see graph)

PRESSURE / TEMPERATURE GRAPH (STEAM EXCLUDED) :

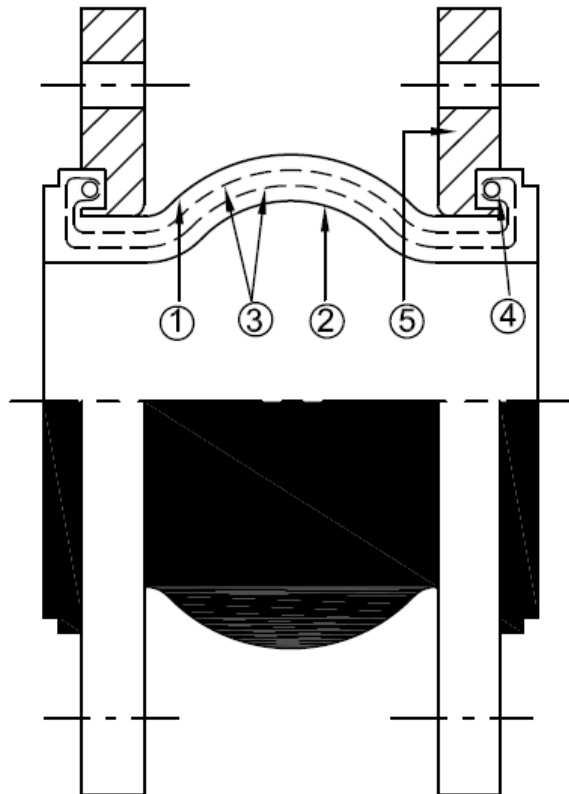


RANGE :

- NBR expansion joint with floating steel flanges PN10/16 from DN32 to DN150, PN10 over **Ref. 1503**
- Expansion limiter (with 2 studs and 4 plates included) from DN 32 to DN 200 **Ref. 98604**

RUBBER EXPANSION JOINT NBR WITH SWIVELING FLANGES PN10/16

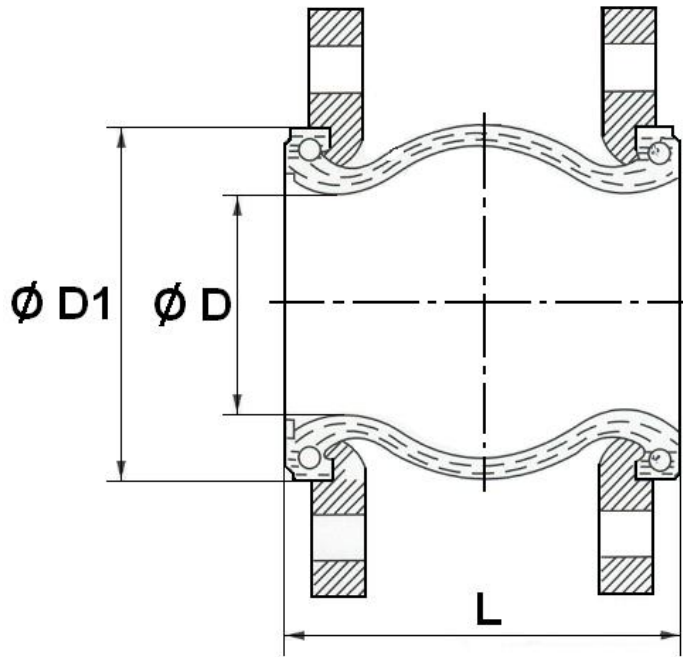
MATERIALS :



Item	Designation	Materials
1	Cover	EPDM
2	Inner tube	NBR
3	Reinforcement	Nylon cord
4	Brace	Hard steel
5	Flanges	Electro galvanized steel

RUBBER EXPANSION JOINT NBR WITH SWIVELING FLANGES PN10/16

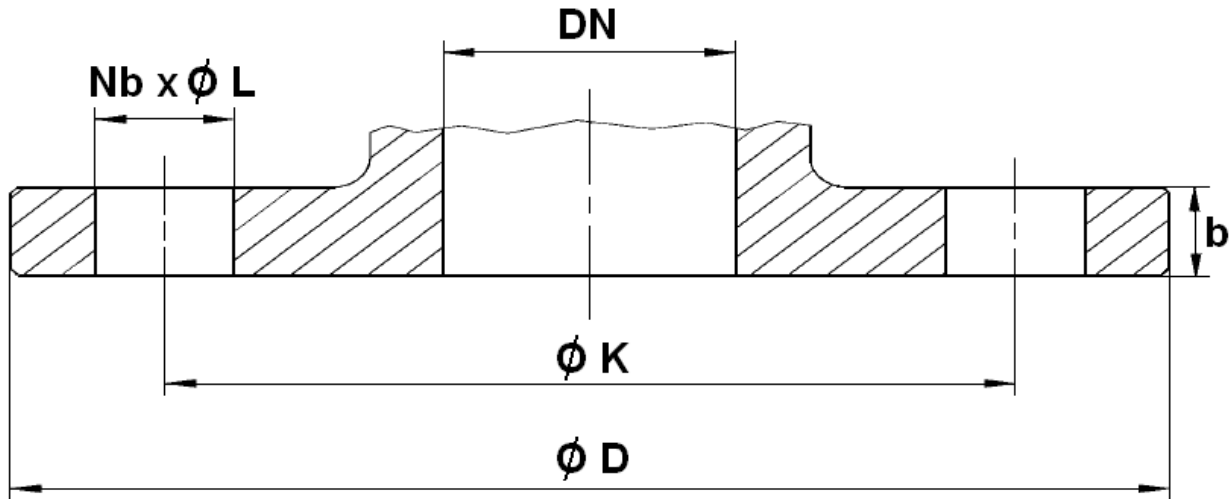
SIZE (in mm) :



DN	32	40	50	65	80	100	125	150	200
L	95	95	105	115	130	135	170	180	205
Ø D	29	37	47	57	74	91	119	145	199
Ø D1	69	79	90	108	124	145	179	209	261
Weight (Kg)	2.85	3.15	4.15	4.95	6.05	6.95	9.6	11.85	16.9
Ref.	1503032	1503040	1503050	1503065	1503080	1503100	1503125	1503150	1503200

RUBBER EXPANSION JOINT NBR WITH SWIVELING FLANGES PN10/16

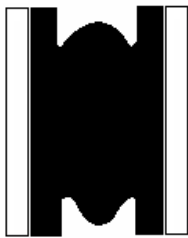
FLANGES SIZE PN10/16 UP TO DN150, PN10 OVER (in mm) :



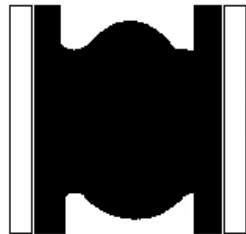
DN	32	40	50	65	80	100	125	150	200
Ø D	140	150	165	185	200	220	250	285	340
Ø K	100	110	125	145	160	180	210	240	295
Nb x Ø L	4 x 19	4 x 19	4 x 19	4 x 19	8 x 19	8 x 19	8 x 19	8 x 23	8 x 23
b	14	14	15	15	17	17	19	19	20

RUBBER EXPANSION JOINT NBR WITH SWIVELING FLANGES PN10/16

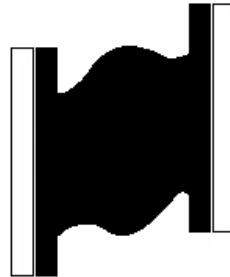
MOVEMENTS (in mm) :



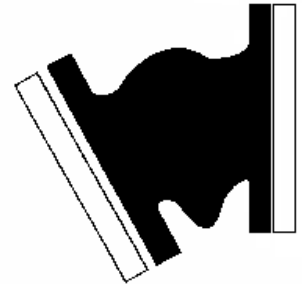
Compansion



Expansion



Lateral



Angular

DN	32	40	50	65	80	100	125	150	200
Compansion	8	8	8	12	12	12	16	16	20
Expansion	4	4	4	6	6	10	10	10	14
Lateral	8	8	8	10	10	12	12	12	18
Angular	15°	15°	15°	15°	15°	15°	15°	15°	15°

Maximum movements can't be applied together

STANDARDS :

- Manufacturer certified ISO 9001 : 2015
- DIRECTIVE 2014/68/EU : Products excluded from directive (Article 4, § 3)
- Flanges according to EN 1092-1 PN10/16
- Approval certificate **Marine LLOYD'S REGISTER**

ADVICE : Our opinion and our advice are not guaranteed and Lauridsen Group shall not be liable for the consequences of damages. The customer must check the right choice of the products with the real service conditions.