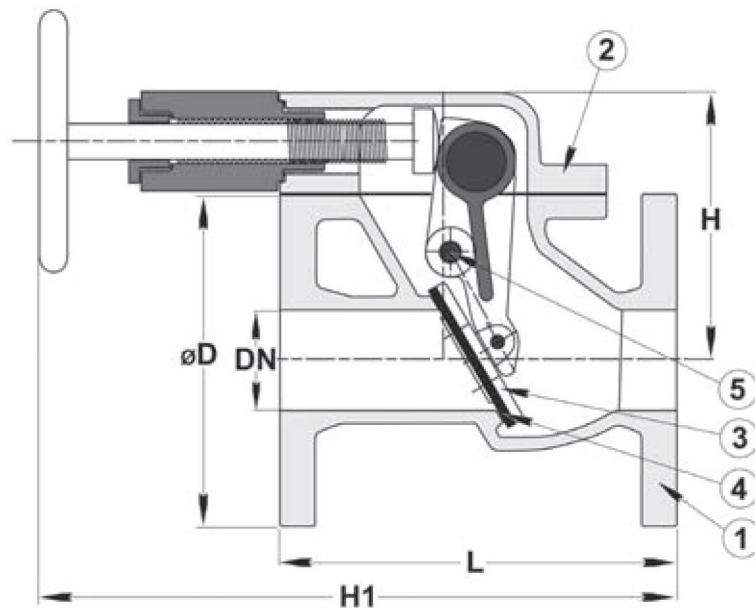




**Storm Flap Valve PN 4
Flange Straight GGG40.3**

Model/Ref: 159701

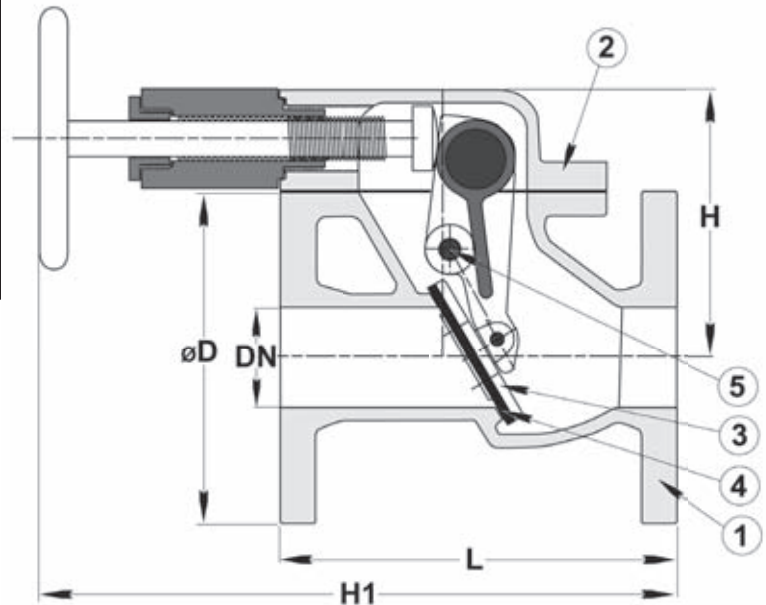


*Partnership.
Without Limits.*

www.lauridsenindustri.com

Storm Flap Valve PN 4 Flange Straight GGG40.3

No	Part	Material
1	Body	Nodular Cast iron GGG40.3
2	Bonnet	Nodular Cast iron GGG40.3
3	Disc	Nodular Cast iron GGG40.3
4	Disc ring	Nitril (NBR)
5	Hinge pin	Special brass
6	Stem nut	Special brass
7	Stem	Special brass



Flanges drilled acc. to PN 10

Variants:

Other dimensions/materials on request

DN	D	L	H	H1	n x Ød	Hcd	Max working-pressure		Weight Kg
							Mpa	60 °C	
50	165	200	137	280	4x18	125	0,4		15,0
65	185	240	148	340	4x18	145	0,4		21,0
80	200	260	174	360	8x18	160	0,4		27,0
100	220	300	195	410	8x18	180	0,4		37,0
125	250	350	216	485	8x18	210	0,4		50,0
150	285	400	242	520	8x22	240	0,4		71,0
200	340	500	310	620	8x22	295	0,4		116,0
250	395	600	400	750	12x22	350	0,4		190,0
300	445	700	400	900	12x22	400	0,4		300,0