

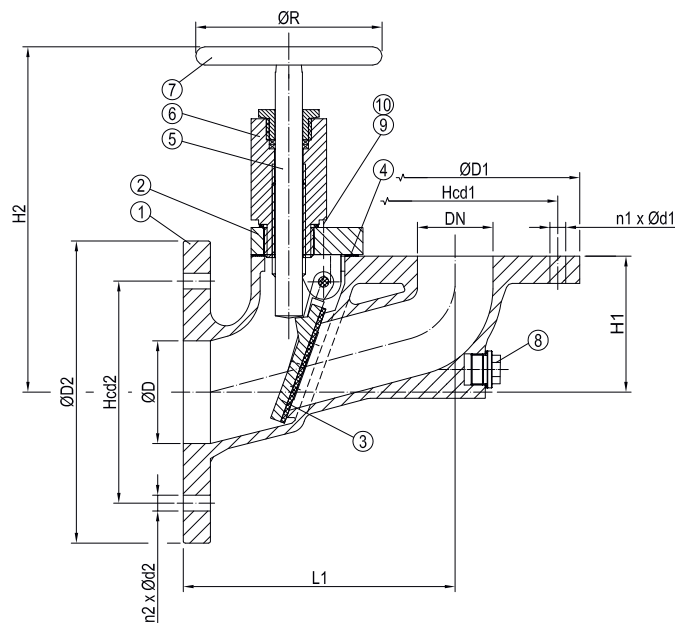
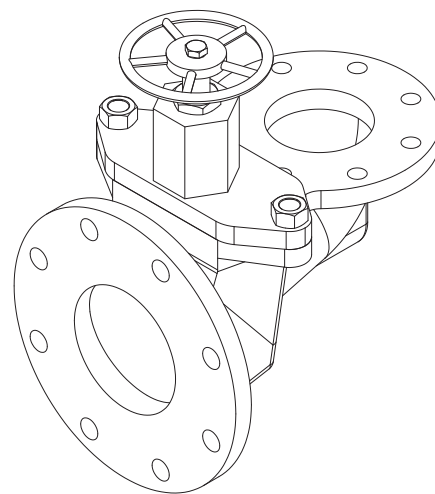
**DESCRIPTION:** Angled type closable check valve. Rg5 body. Soft sealing disc. Flat face PN10 flanged. Different inlet/outlet diameter.

**APPLICATION:** Sanitary piping systems which have a ship's side exit. Ship side valve for discharge from various sanitary systems. Preventing sea water from entering the piping system. Manually closable at e.g. dry docking.

**STANDARD & DESIGN:**

Design Code: DIN HNA Sr 6 Form B - with closing device and handwheel.  
 Inspection Std.: -  
 End Std.: EN 1092-3/A (DIN 2501)  
 Face to Face Std.: DIN HNA Sr 6  
 Flanges drilled: PN10 (DN50-DN200)  
 Pressure rating: PN4 (DN50-DN200)  
 Temperature Range: -10°C to +60°C

**VARIATIONS:** With open/close indication.  
 RG10 body  
 Other dimensions and materials on request.



No	Part	Material	Code
1	Body	Bronze	CuSn5ZnPb5-C
2	Bonnet	Bronze	CuSn5ZnPb5-C
3	Disc with Sealing	Bronze +NBR	Rg5 + NBR
4	Bonnet Gasket	NBR	-
5	Stem	Brass	CuZn39Pb3
6	Stem Nut	Brass	CuZn39Pb3
7	Handwheel	Cast Iron	EN-GJL250
8	Plug	Stainless Steel	A2(AISI 304)
9	Stud Bolts	Stainless Steel	A2(AISI 304)
10	Nut	Stainless Steel	A2(AISI 304)

DN	n1xØd1	Hcd1	ØD1	n2xØd2	Hcd2	ØD2	ØD	L1	H1	H2	ØR	Kg
50	4x18	125	165	8x18	160	200	70	180	90	260	140	14
65	4x18	145	185	8x18	180	220	85	200	100	270	140	16
80	8x18	160	200	8x18	210	250	100	215	108	290	140	22
100	8x18	180	220	8x22	240	285	130	250	130	305	140	28
125	8x18	210	250	8x22	295	340	158	290	152	330	160	40
150	8x22	240	285	12x22	350	395	190	330	176	350	160	50
200	8x22	295	340	12x22	400	445	240	425	180	350	160	80