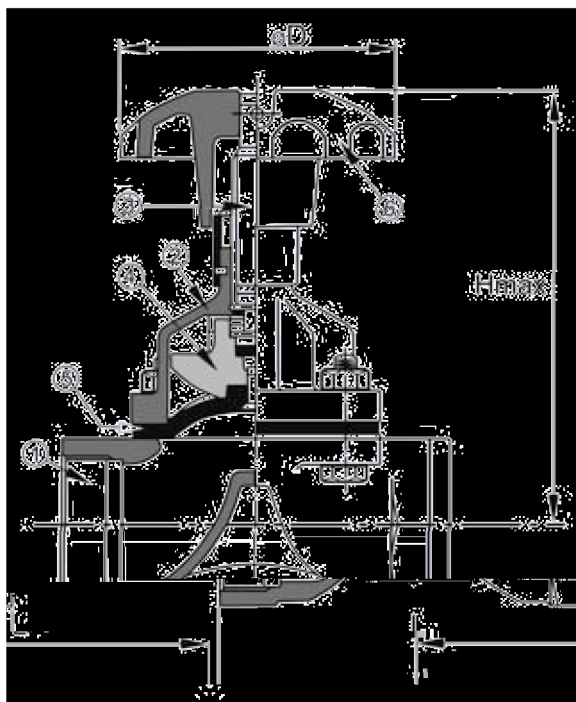




**Diaphragm Valve  
PN 16 Thread Straight GG25**

Model/Ref: 469052

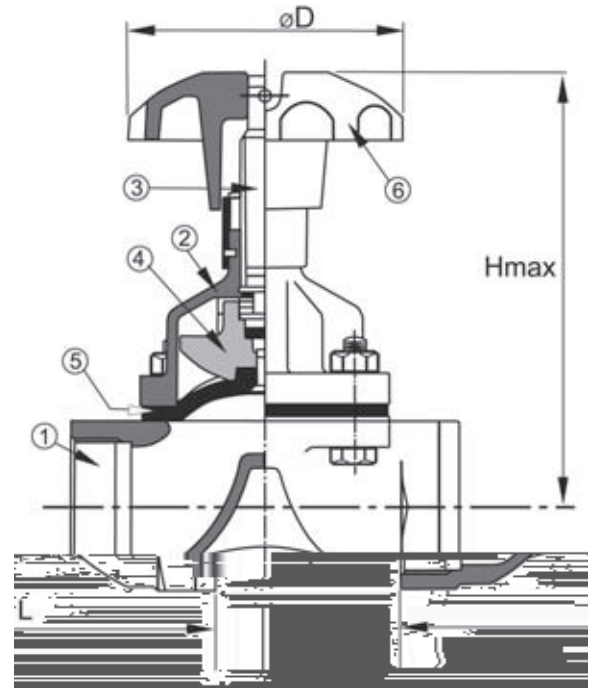


*Partnership.  
Without Limits.*

[www.lauridsenindustri.com](http://www.lauridsenindustri.com)

**Diaphragm Valve PN 16 Thread Straight GG25**

No	Part	Material
1	Body	Cast iron GG25
2	Bonnet	Cast iron GG25
3	Stem	Cast steel GSC25
4	Disc	Cast iron GG25
5	Diaphragm	NBR
6	Handwheel	Cast iron GG25


**Variants:**

Diaphragm EPDM

Diaphragm Natural-rubber

Other dimensions/materials on request

DN	G	D	L	Hmax	Max working-pressure		Weight Kg
					Mpa 120 °C EPDM	Mpa °C	
15	1/2"	82	64	90	1,6		1,3
20	3/4"	82	83	94	1,6		1,5
25	1"	120	111	119	1,6		2,2
32	1 1/4"	120	124	155	1,6		3,0
40	1 1/2"	120	143	164	1,6		3,9
50	2"	120	168	188	1,6		4,6