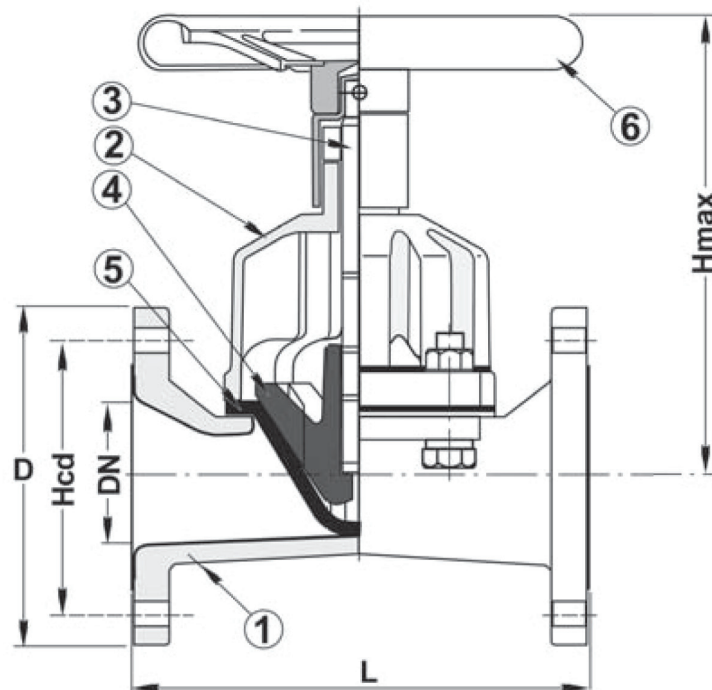




**Diaphragm Valve
PN 16 Flange Straight GG25**

Model/Ref: 469752

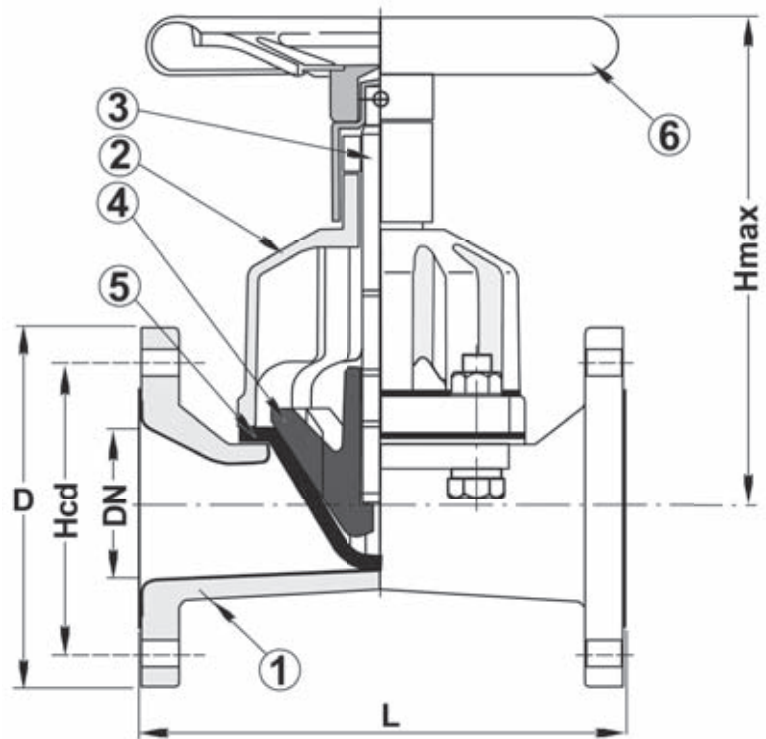


*Partnership.
Without Limits.*

www.lauridsenindustri.com

Diaphragm Valve PN 16 Flange Straight GG25

No	Part	Material
1	Body	Cast iron GG25
2	Bonnet	Cast iron GG25
3	Stem	Cast iron GG25
4	Disc	Cast iron GG25
5	Diaphragm	NBR
6	Handwheel	Cast iron GG25


Variants:

Diaphragm EPDM

Diaphragm Natural-rubber

Hard rubber lined

Other dimensions/materials on request

DN	D	n x Ød	Hcd	L	Hcd	Max working-pressure		Weight Kg
						Mpa 120 °C EPDM	Mpa °C	
15	95	4x14	65	108	105	1,6		2,8
20	105	4x14	75	117	115	1,6		3,3
25	115	4x14	85	127	132	1,6		4,6
32	140	4x18	100	146	140	1,6		5,8
40	150	4x18	110	159	180	1,6		8,0
50	165	4x18	125	190	210	1,6		12,0
65	185	4x18	145	216	235	1,0		17,0
80	200	8x18	160	254	305	1,0		24,0
100	220	8x18	180	305	340	1,0		34,0
125	250	8x18	210	356	420	1,0		52,0
150	285	8x22	240	406	490	1,0		70,0
200	340	8x22	295	521	645	0,8		135,0