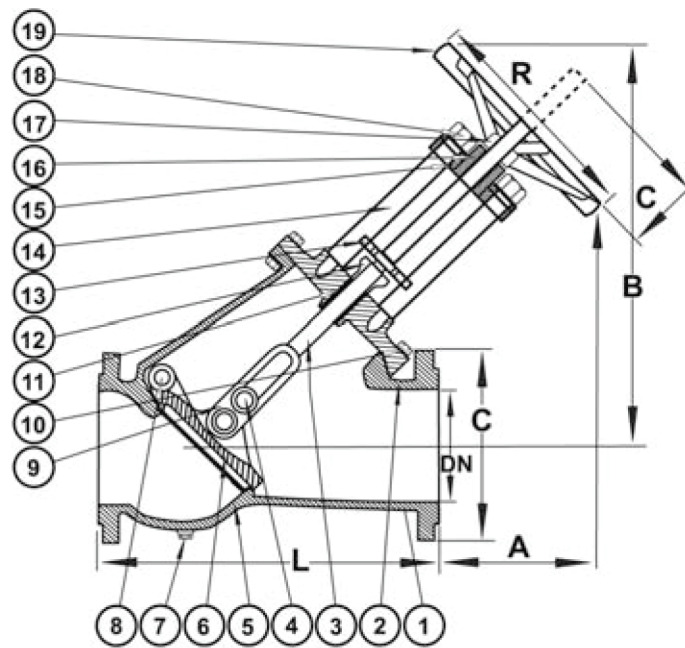




Swing Check Valve PN 16 Flange Straight GS-CS25

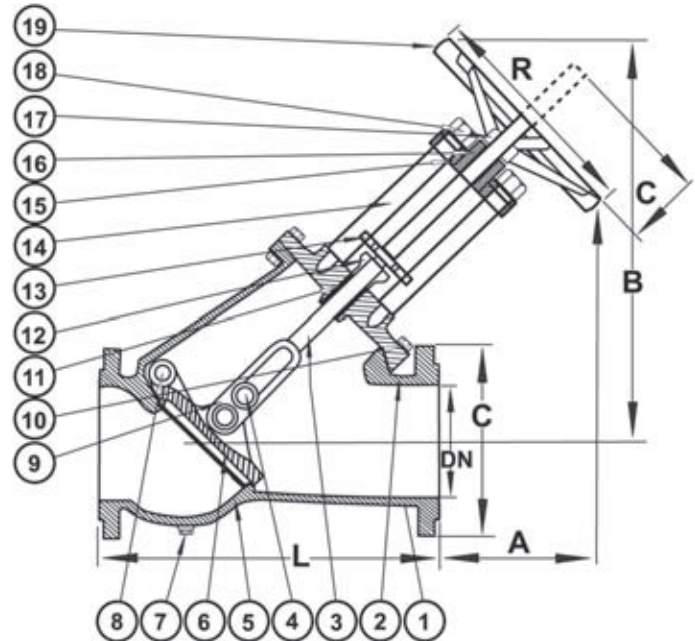
Model/Ref: 370462



*Partnership.
Without Limits.*

Swing Check Valve PN 16 Flange Straight GS-CS25

No	Part	Material
1	Body	Cast steel GS-CS25
2	Bonnet	Cast steel GS-CS25
3	Stem	Stainless steel
5	Seat ring	Stainless steel
6	Disc	Stainless steel
8	Shaft	Stainless steel
9	Link	Steel zinkplated
10	Bolt/Nut	Steel zinkplated
11	Gland bolt	Steel zinkplated
12	Gland	Nodular cast iron GGG40.3


Variants:

Other dimensions/materials on request

DN	D	n x Ød	Hcd	A	L	B	Max working-pressure		Weight Kg
							Mpa 150 °C	Mpa 200 °C	
100	220	8x18	180	255	350	500	1,6		58,0
150	285	8x22	240	270	480	610	1,6		96,0
200	340	12x22	295	335	600	765	1,6		180,0
250	405	12x26	355	350	730	860	1,6		250,0
300	460	12x26	410	500	850	1100	1,6		510,0
350	520	16x26	470	600	980	1300	1,6		750,0
400	580	16x30	525	680	1100	1450	1,6		940,0