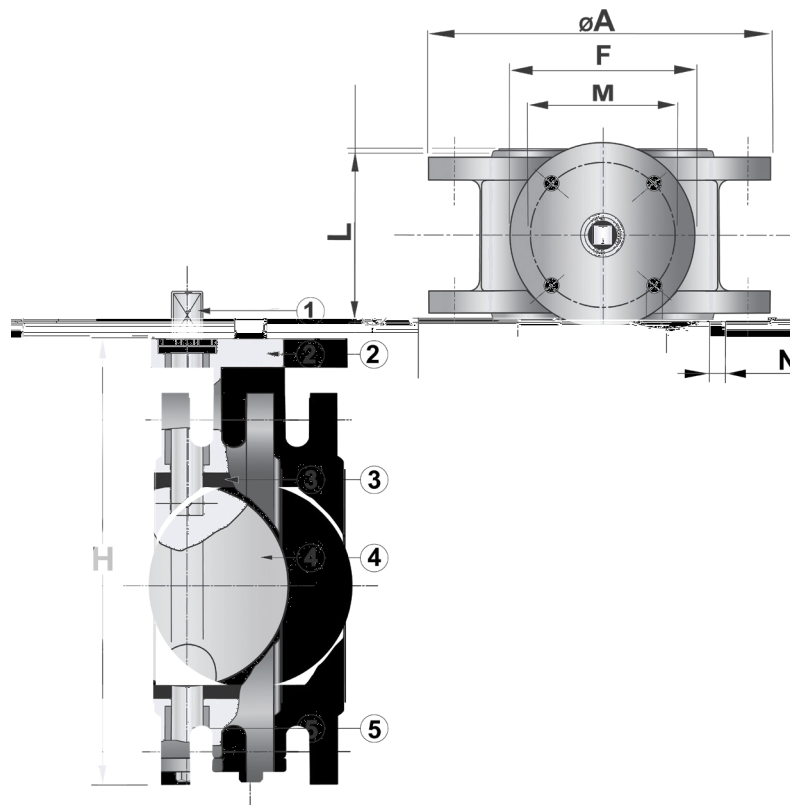




Butterfly PN 16/10 Flange Straight SS316

Model/Ref: 780702_781702

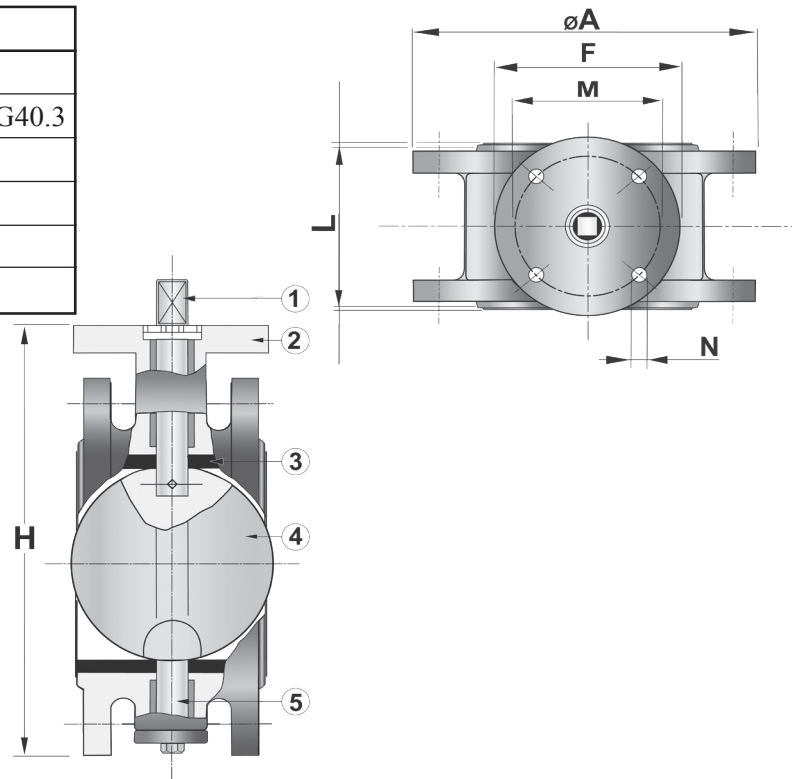


*Partnership.
Without Limits.*

www.lauridsenindustri.com

Butterfly PN 16/10 Flange Straight SS316

| No | Part | Material |
|----|---------------|---------------------------|
| 1 | Shaft | Stainless steel SS316 |
| 2 | Body | Nodular Cast iron GGG40.3 |
| 3 | Seal (780702) | Nitril (NBR) |
| | Seal (781702) | EPDM |
| 4 | Disc | Aluminium bronze |
| 5 | Shaft | Stainless steel SS316 |


Variants:

With handlever
 Various actuators and gearboxes
 Viton- and Teflon-seal
 DN 200-600 available to fit PN16
 Other dimensions/materials on request

| DN | A | L | F | M | N | H | Max working pressure Mpa | | Weight Kg |
|---------------------------|-----|-----|-----|-----|------|-----|--------------------------|--------------|-----------|
| | | | | | | | NBR 80 °C | EPDM 110 ° C | |
| 50 | 165 | 108 | 90 | 70 | 9 | 213 | 1,6 | 1,6 | 8,0 |
| 65 | 185 | 112 | 90 | 70 | 9 | 235 | 1,6 | 1,6 | 10,5 |
| 80 | 200 | 114 | 90 | 70 | 9 | 247 | 1,6 | 1,6 | 11,0 |
| 100 | 220 | 127 | 90 | 70 | 9 | 252 | 1,6 | 1,6 | 13,0 |
| 125 | 250 | 140 | 90 | 70 | 9 | 298 | 1,6 | 1,6 | 28,0 |
| 150 | 285 | 140 | 90 | 70 | 9 | 318 | 1,6 | 1,6 | 30,0 |
| 780701/781701 PN10 | | | | | | | | | |
| 200 | 340 | 152 | 90 | 70 | 11 | 409 | 1,0 | 1,0 | 41,0 |
| 250 | 395 | 165 | 125 | 102 | 11 | 466 | 1,0 | 1,0 | 74,0 |
| 300 | 445 | 178 | 125 | 102 | 11 | 516 | 1,0 | 1,0 | 86,0 |
| 350 | 505 | 190 | 175 | 140 | 17,5 | 582 | 1,0 | 1,0 | 106,0 |
| 400 | 565 | 216 | 175 | 140 | 17,5 | 632 | 1,0 | 1,0 | 120,0 |
| 450 | 615 | 222 | 175 | 165 | 17,5 | 705 | 1,0 | 1,0 | 150,0 |
| 500 | 670 | 229 | 175 | 165 | 22 | 760 | 1,0 | 1,0 | 220,0 |
| 600 | 780 | 267 | 200 | 254 | 22 | 893 | 1,0 | 1,0 | 308,0 |