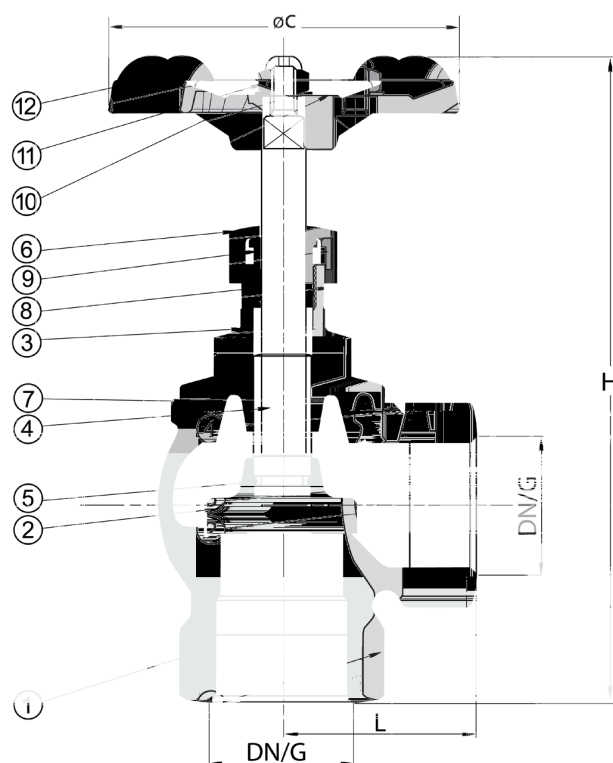




Stop Valve Threaded Angle Bronze

Model/Ref: 456122-BO

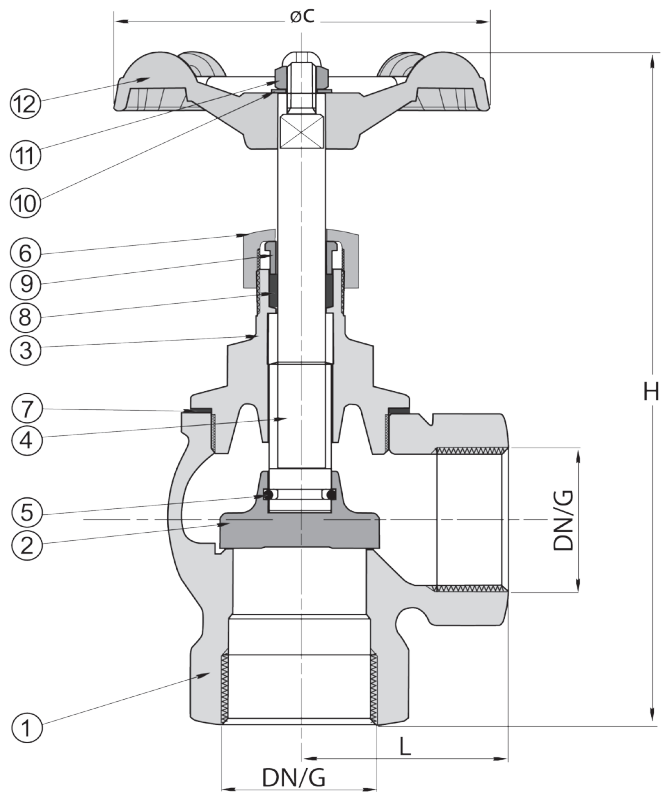


*Partnership.
Without Limits.*

www.lauridsenindustri.com

Stop Valve Threaded Angle Bronze

No	Part	Material
1	Body	Bronze Rg5
2	Disc	Special brass
3	Bonnet	Special brass
4	Lock nut	Special brass
5	Fixing Ring	Stainless steel
6	Gland Nut	Special brass
7	Body Gasket	PTFE
8	Packing	Graphite
9	Gland	Special brass
10	Handwheel washer	Brass
11	Handwheel Nut	Brass
12	Handwheel	Aluminium
13		
14		
15		


Variants:

S.D.N.R. = Non-return disc

PTFE-sealing

Other dimensions/materials on request

DN	G	L	C	H	Max working-pressure		Weight Kg
					Mpa 120 °C	Mpa	
8	1/4"	28	50	100	1,6		0,30
10	3/8"	28	50	100	1,6		0,30
15	1/2"	33	60	126	1,6		0,42
20	3/4"	40	70	155	1,6		0,60
25	1"	45	70	165	1,6		0,92
32	1 1/4"	51	70	186	1,6		1,30
40	1 1/2"	58	80	198	1,6		1,65
50	2"	61	110	226	1,6		2,65