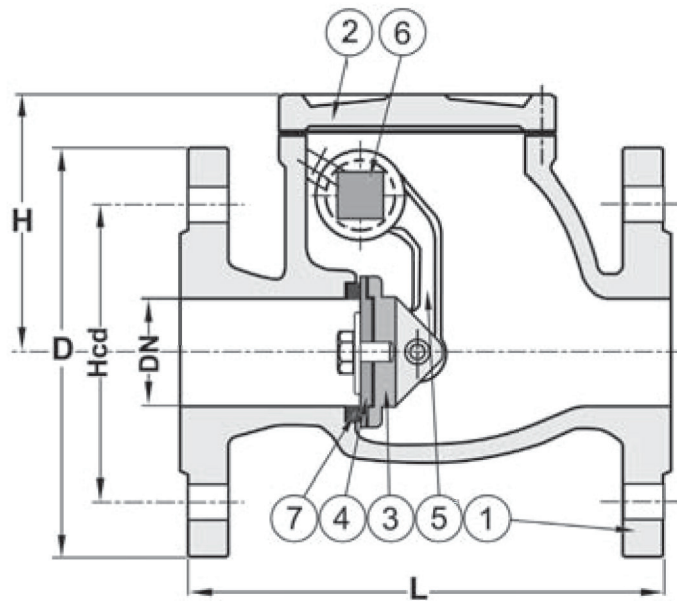


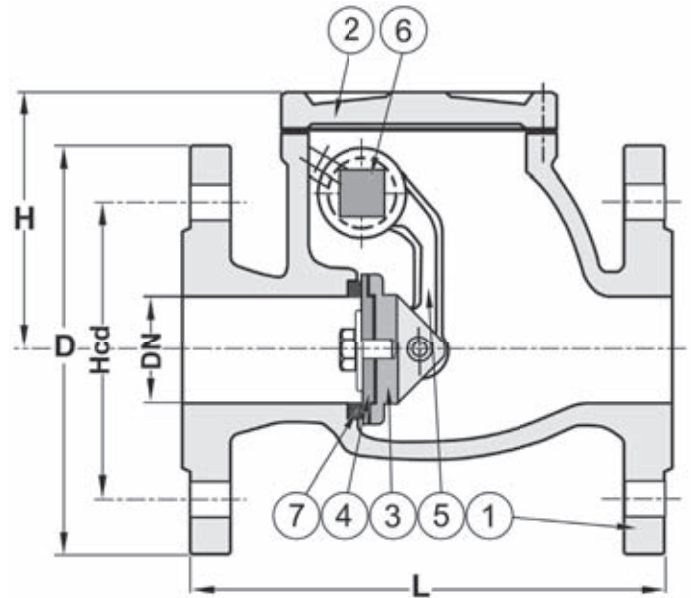


Model/Ref: 370252-370251



*Partnership.
Without Limits.*

No	Part	Material
1	Body	Cast iron GG25
2	Bonnet	Cast iron GG25
3	Disc	Cast iron GG25
4	Disc seat	Bronze
5	Hinge	Cast iron GG25
6	Hinge pin	Stainless steel SS420
7	Seat, body	Bronze


Variants:

With counterweight
 Soft seal

Stainless steel SS304
 DN 200-400 available PN16
 Other dimensions/materials on request

DN	D	n x Ød	Hcd	L	H	Max working-pressure		Weight Kg
						Mpa 120 °C	Mpa 300 °C	
40	150	4x18	110	180	95	1,6	1,0	8
50	165	4x18	125	200	100	1,6	1,0	11
65	185	4x18	145	240	115	1,6	1,0	14
80	200	8x18	160	260	135	1,6	1,0	18
100	220	8x18	180	300	145	1,6	1,0	24
125	250	8x18	210	350	160	1,6	1,0	31
150	285	8x22	240	400	180	1,6	1,0	45
370251 PN10								
200	340	8x22	295	500	270	1,0	0,6	73
250	395	12x22	350	600	320	1,0	0,6	113
300	445	12x22	400	700	350	1,0	0,6	201
350	505	16x22	460	800	435	1,0	0,6	296
400	565	16x26	515	900	475	1,0	0,6	402