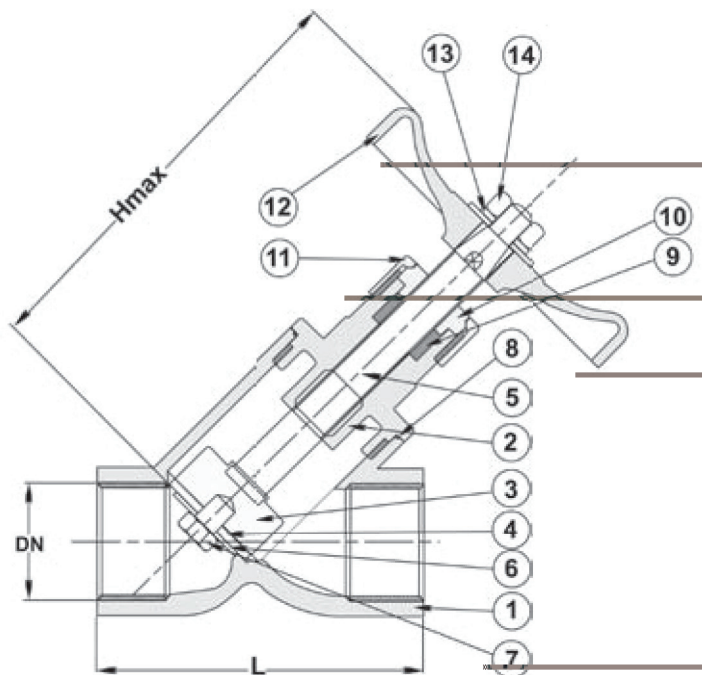




Stop Valve Threaded Y-type AISI 316

Model/Ref: 466694

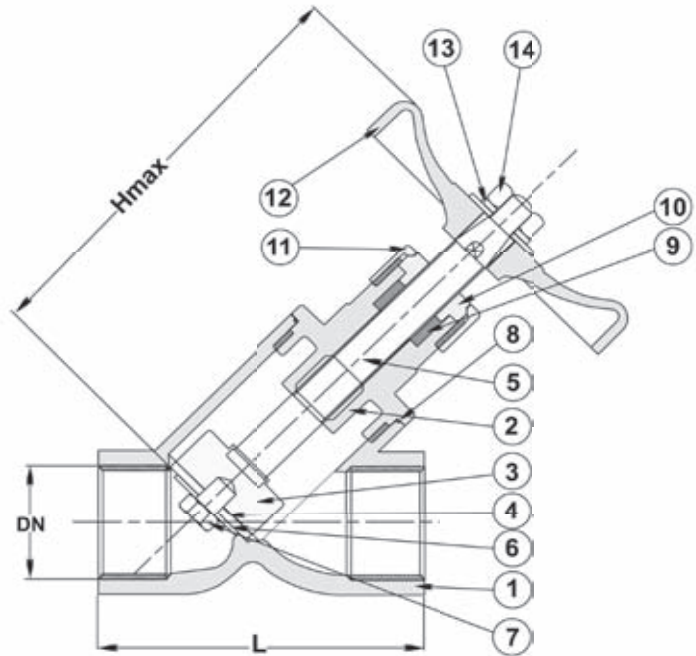


*Partnership.
Without Limits.*

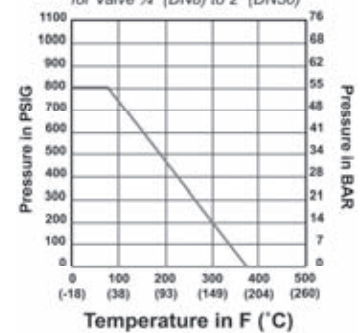
www.lauridsenindustri.com

Stop Valve Threaded Y-type AISI 316

No	Part	Material
1	Body	Stainless steel 1,4408
2	Bonnet	Stainless steel 1,4408
3	Disc	Stainless steel 1,4404
4	Seat	PTFE
5	Stem	Stainless steel 1,4404
6	Washer	Stainless steel 1,4401
7	Bolt	Stainless steel 1,4401
8	Gasket Packing	PTFE
9	Stem Packing	PTFE
10	Gland	Stainless steel 1,4401
11	Gland Nut	Stainless steel 1,4401
12	Handle Weel	Mico Steel
13	Washer	Stainless steel 1,4401
14	Nut	Stainless steel 1,4401



Pressure Vs. Temperature Chart
for Valve 1/2" (DN8) to 2" (DN50)



Variants:

S.D.N.R. = Non-return disc

R = Parabolic disc

Other dimensions/materials on request

DN	D			L	Hmax	Max working-pressure		Weight Kg
						Mpa 60 °C	Mpa 120 °C	
8	1/4"			65	107	4,0	2,9	0,3
10	3/8"			65	107	4,0	2,9	0,3
15	1/2"			65	107	4,0	2,9	0,3
20	3/4"			80	122	4,0	2,9	0,5
25	1"			90	142	4,0	2,9	1,0
32	1 1/4"			105	155	4,0	2,9	1,2
40	1 1/2"			120	175	4,0	2,9	1,8
50	2"			140	195	4,0	2,9	2,5