



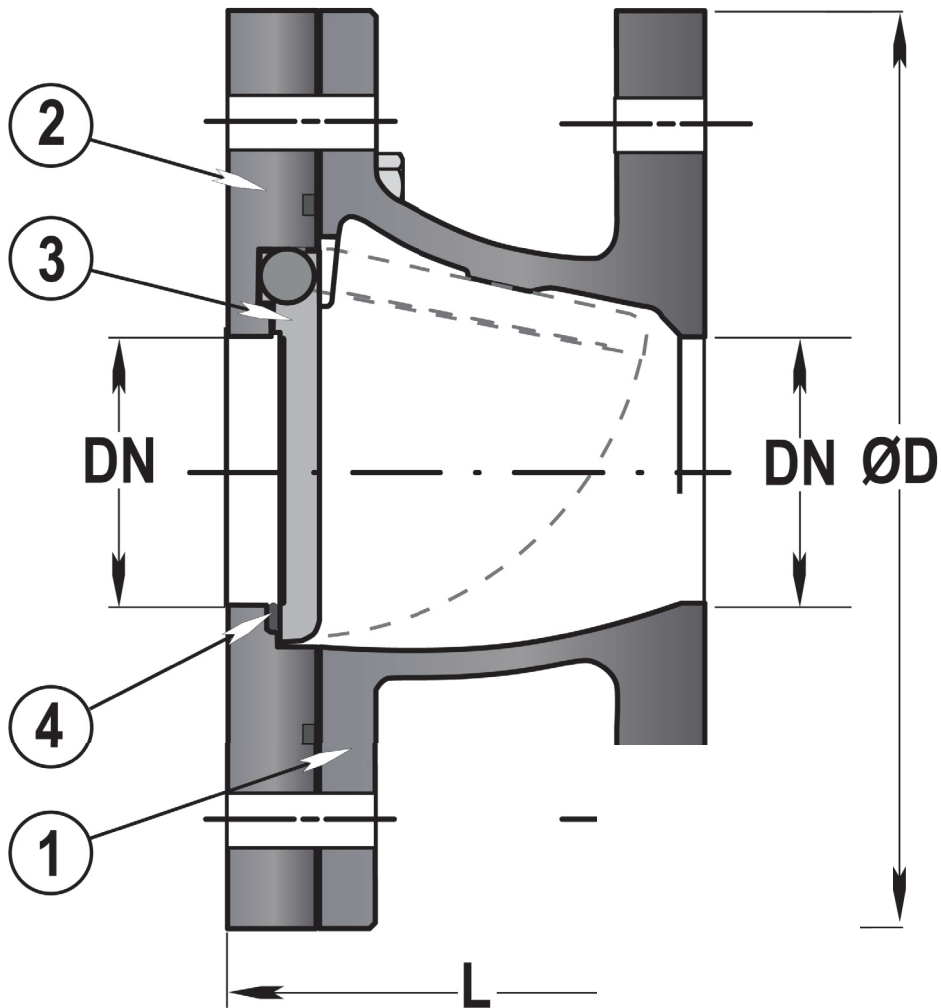
FLANGED SWING CHECK VALVE

Short type Full bore

305802

PN 16/10

No	Part	Material
1/2	Body	GGG 40.3
3	Clapper	Rg5
4	O-ring	NBR



DN	D	L	kx nx Ø	Weight Kg
15	95	65	65 x 4 x 14	2,1
20	105	65	75 x 4 x 14	2,5
25	115	70	85 x 4 x 14	3,0
32	140	75	100 x 4 x 18	5,0
40	150	80	110 x 4 x 18	6,0
50	165	85	125 x 4 x 18	7,0
65	185	105	145 x 4 x 18	9,0
80	200	125	160 x 8 x 18	11,0
100	220	145	180 x 8 x 18	16,0
125	250	170	210 x 8 x 18	21,0
150	285	200	240 x 8 x 23	29,0
200	340	250	295 x 8 x 23	44,0
250	395	210	350 x 12 x 23	64,0
300	445	360	400 x 12 x 23	79,0