



STOP VALVE

467164

467163

PN 40

PN 25

No	Part	Material
1	Body	Cast steel GSC25
2	Bonnet	Cast steel GSC25
3	Seat ring	Stainless steel 1.4301
4	Disc	Stainless steel X20Cr13
5	Stem	Stainless steel X20Cr13
6	Handwheel	Cast iron
7	Glandpacking	Graphite
8	Gland	Cast steel GSC25
9	Gasket	Graphite
10	Bolt/Nut	Steel, zincplated

Variants:

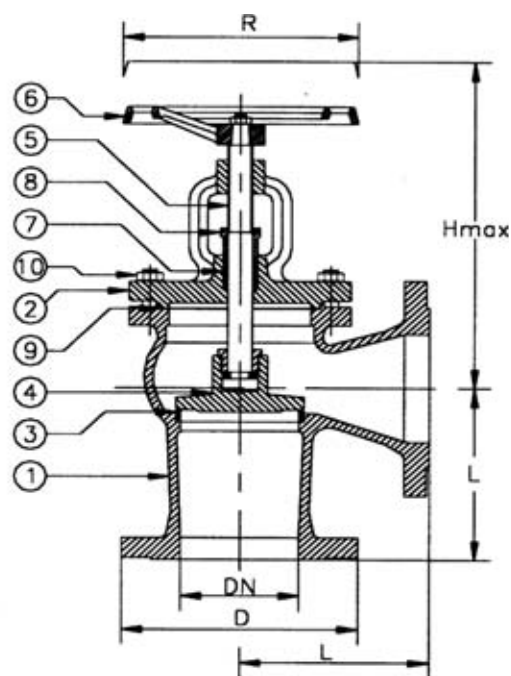
S.D.N.R. = Non-return disc

R = Parabolic disc

Various actuators

DN200-300 available PN40

Other dimensions/materials on request



DN	D	n x Ød	Hcd	L	Hmax	Max working-pressure		Weight Kg
						Mpa 120 °C	Mpa 225 °C	
15	95	4x14	65	90	189	4,0	2,1	5,6
20	105	4x14	75	95	189	4,0	2,1	7,6
25	115	4x14	85	100	203	4,0	2,1	7,9
32	140	4x18	100	105	216	4,0	2,1	8,9
40	150	4x18	110	115	246	4,0	2,1	13,4
50	165	4x18	125	125	259	4,0	2,1	14,4
65	185	8x18	145	145	313	4,0	2,1	24,0
80	200	8x18	160	155	317	4,0	2,1	29,0
100	235	8x22	190	175	381	4,0	2,1	44,0
125	270	8x26	220	200	452	4,0	2,1	59,0
150	300	8x26	250	225	476	4,0	2,1	85,0
467163 PN25								
200	360	12x26	310	275	643	2,5	1,3	148,0
250	425	12x30	370	325	780	2,5	1,3	188,0
300	485	16x30	430	375	890	2,5	1,3	328,0