



STOP VALVE

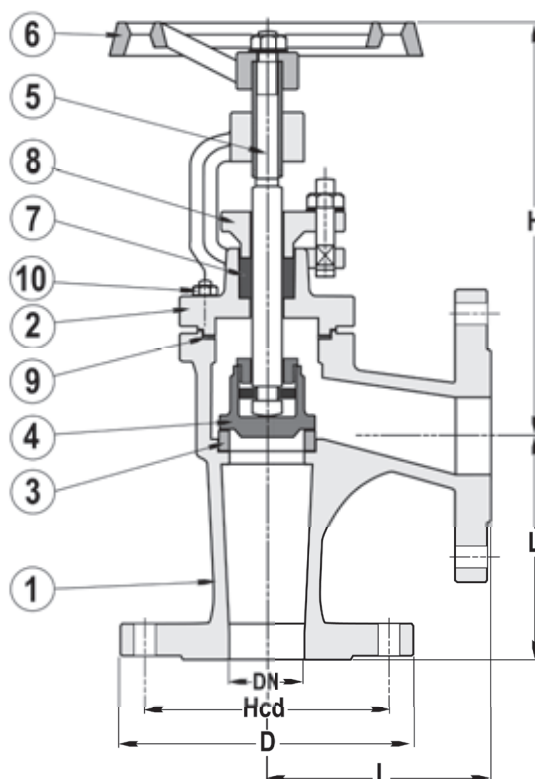
467102

467101

PN 16

PN 10

No	Part	Material
1	Body	Nodular cast iron GGG40.3
2	Bonnet	Nodular cast iron GGG40.3
3	Seat ring	Bronze Rg5
4	Disc	Bronze Rg5
5	Stem	Special brass
6	Handwheel	Cast iron
7	Glandpacking	Graphite
8	Gland	Nodular cast iron GGG40.3
9	Gasket	Superkev
10	Bolt/Nut	Steel, zincplated



Variants:

S.D.N.R. = Non-return disc

R = Parabolic disc

SS = Stainless steel trim

Various actuators

DN200-300 available PN16

Other dimensions/materials on request

DN	D	n x Ød	Hcd	L	H	Max working-pressure		Weight Kg
						Mpa 120 °C	Mpa 225 °C	
15	95	4x14	65	90	155	1,6	1,0	4,0
20	105	4x14	75	95	155	1,6	1,0	5,0
25	115	4x14	85	100	170	1,6	1,0	6,0
32	140	4x18	100	105	175	1,6	1,0	8,0
40	150	4x18	110	115	195	1,6	1,0	10
50	165	4x18	125	125	205	1,6	1,0	13
65	185	4x18	145	145	225	1,6	1,0	18
80	200	8x18	160	155	250	1,6	1,0	24
100	220	8x18	180	175	305	1,6	1,0	38
125	250	8x18	210	200	315	1,6	1,0	50
150	285	8x22	240	225	380	1,6	1,0	70
467101 PN10								
200	340	8x22	295	275	425	1,0	0,6	107
250	395	8x22	350	325	470	1,0	0,6	170
300	445	12x22	400	375	550	1,0	0,6	230
350	505	16x22	460	425	630	1,0	0,6	410
400	565	16x22	515	475	640	1,0	0,6	500