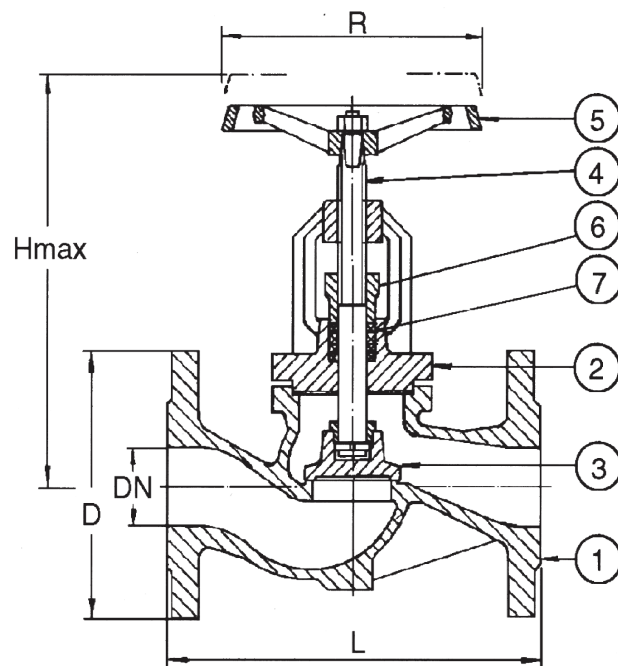




Stop Valve PN 40/25 Flanged Straight SS316

Model/Ref: 467094-467093

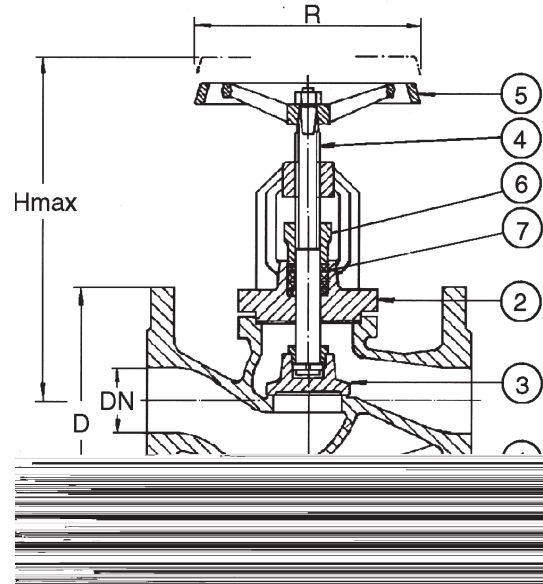


*Partnership.
Without Limits.*

www.lauridsenindustri.com

Stop Valve PN 40/25 Flanged Straight SS316

No	Part	Material
1	Body	Stainless steel 1.4408
2	Bonnet	Stainless steel 1.4408
3	Disc	Stainless steel 1.4408
4	Stem	Stainless steel 1.4436
5	Handwheel	Cast iron
6	Gland	Stainless steel 1.4408
7	Glandpacking	PTFE
8		
9		
10		


Variants:

S.D.N.R. = Non-return disc

R = Parabolic disc

PTFE-sealing

Various actuators

DN200-300 available PN40

Other dimensions/materials on request

DN	D	n	Hcd	d	L	Hmax	Max working-pressure		Weight Kg
							Mpa 120 °C	Mpa 400 °C	
15	95	4	65	14	130	189	4,0	2,1	5,2
20	105	4	75	14	150	189	4,0	2,1	5,8
25	115	4	85	14	160	203	4,0	2,1	7,6
32	140	4	100	18	180	216	4,0	2,1	9,0
40	150	4	110	18	200	246	4,0	2,1	13,1
50	165	4	125	18	230	259	4,0	2,1	15,1
65	185	4	145	18	290	313	4,0	2,1	26,0
80	200	8	160	18	310	317	4,0	2,1	33,0
100	235	8	190	22	350	381	4,0	2,1	44,0
125	270	8	220	26	400	452	4,0	2,1	71,0
150	300	8	250	26	480	476	4,0	2,1	100,0
467093 PN25									
200	360	12	310	26	600	643	2,5	1,3	170,0
250	425	12	370	30	730	780	2,5	1,3	283,0
300	485	16	430	30	850	890	2,5	1,3	414,0