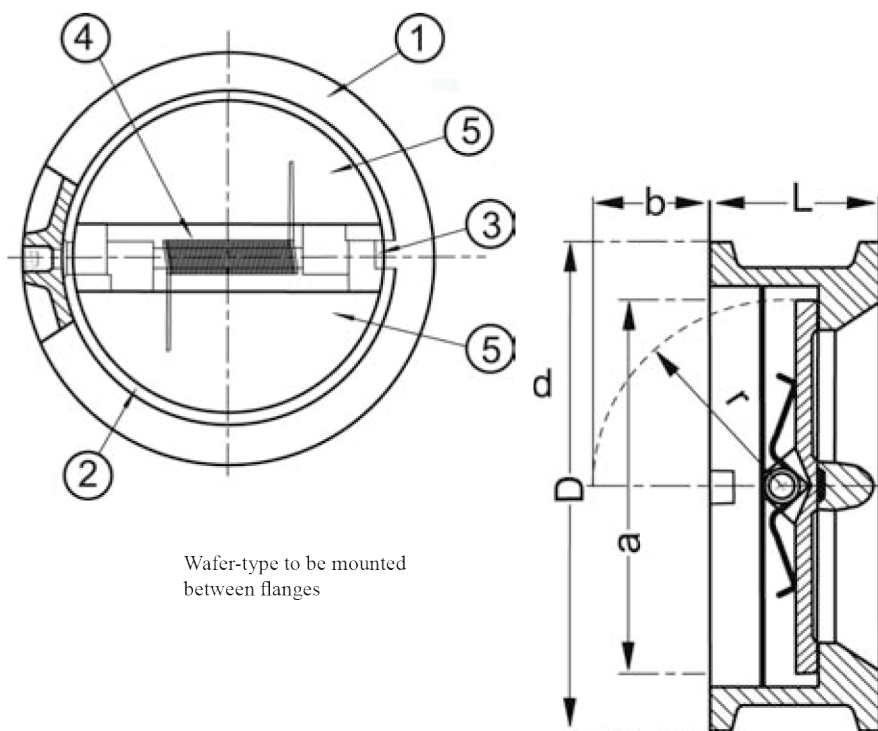




**Dual Check Valve PN 16
Wafer Straight CF8M**

Model/Ref: 315192-315191



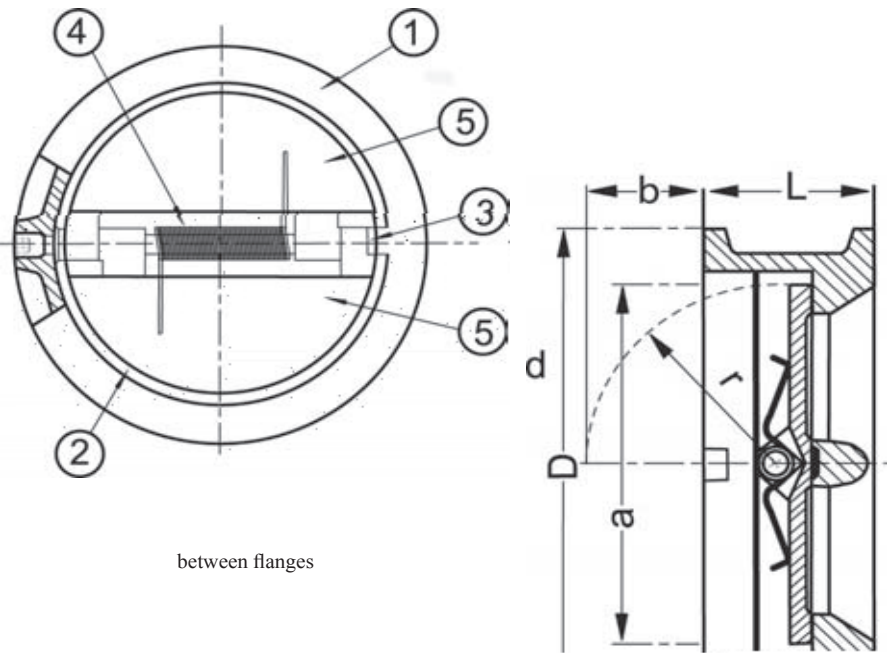
Wafer-type to be mounted
between flanges

*Partnership.
Without Limits.*

www.lauridsenindustri.com

Dual Check Valve PN 16 Wafer Straight CF8M

No	Part	Material
1		
2		
3		
4		
5		



Variants
Soft sealing

Other dimensions/materials on request

DN	D	a	b	r	L	Max working-pressure		Weight Kg
						Mpa 200 °C	Mpa °C	
40								
50								
65								
80								
100								
125								
150								
200								
250								
300								
315191								
350								
400								
450								
500								
600								