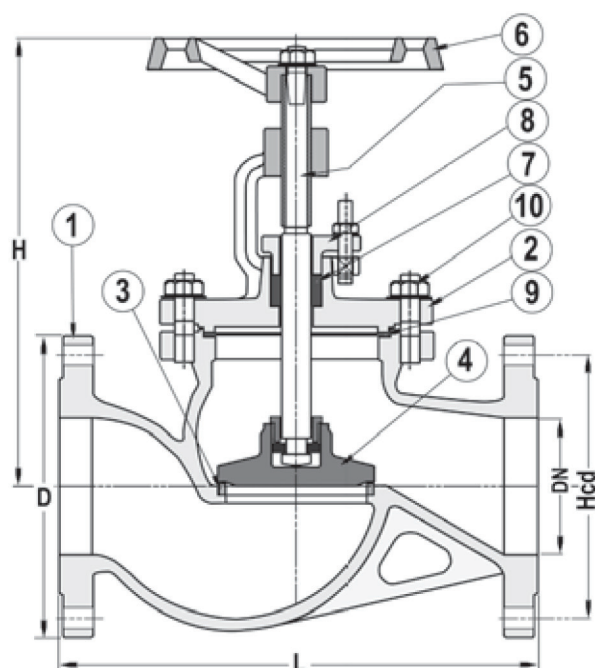




Stop Valve Flanged Straight GSC25

Model/Ref: 467064-467063

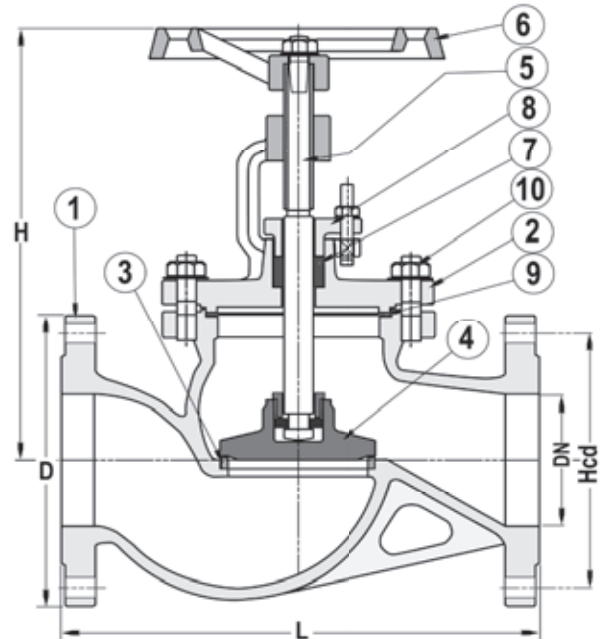


*Partnership.
Without Limits.*

www.lauridsenindustri.com

Stop Valve Flanged Straight GSC25

| No | Part | Material |
|----|--------------|-------------------------|
| 1 | Body | Cast steel GSC25 |
| 2 | Bonnet | Cast steel GSC25 |
| 3 | Seat ring | Stainless steel 1.4301 |
| 4 | Disc | Stainless steel X20Cr13 |
| 5 | Stem | Stainless steel X20Cr13 |
| 6 | Handwheel | Cast iron |
| 7 | Glandpacking | Graphite |
| 8 | Gland | Cast steel GSC25 |
| 9 | Gasket | Graphite |
| 10 | Bolt/Nut | Steel, zincplated |


Variants:

S.D.N.R. = Non-return disc

R = Parabolic disc

Rg5 = Bronze trim

Various actuators

DN200-300 available PN40

Other dimensions/materials on request

| DN | D | n x Ød | Hcd | L | Hmax | Max working-pressure | | Weight Kg |
|--------------------|-----|--------|-----|-----|------|----------------------|------------|-----------|
| | | | | | | Mpa 120 °C | Mpa 400 °C | |
| 15 | 95 | 4x14 | 65 | 130 | 189 | 4,0 | 2,1 | 5,2 |
| 20 | 105 | 4x14 | 75 | 150 | 189 | 4,0 | 2,1 | 5,8 |
| 25 | 115 | 4x14 | 85 | 160 | 203 | 4,0 | 2,1 | 7,6 |
| 32 | 140 | 4x18 | 100 | 180 | 216 | 4,0 | 2,1 | 9,0 |
| 40 | 150 | 4x18 | 110 | 200 | 246 | 4,0 | 2,1 | 13,1 |
| 50 | 165 | 4x18 | 125 | 230 | 259 | 4,0 | 2,1 | 15,1 |
| 65 | 185 | 4x18 | 145 | 290 | 313 | 4,0 | 2,1 | 26,0 |
| 80 | 200 | 8x18 | 160 | 310 | 317 | 4,0 | 2,1 | 33,0 |
| 100 | 235 | 8x22 | 190 | 350 | 381 | 4,0 | 2,1 | 44,0 |
| 125 | 270 | 8x26 | 220 | 400 | 452 | 4,0 | 2,1 | 71,0 |
| 150 | 300 | 8x26 | 250 | 480 | 476 | 4,0 | 2,1 | 100,0 |
| 467063 PN25 | | | | | | | | |
| 200 | 360 | 12x26 | 310 | 600 | 643 | 2,5 | 1,3 | 170,0 |
| 250 | 425 | 12x30 | 370 | 730 | 780 | 2,5 | 1,3 | 283,0 |
| 300 | 485 | 12x30 | 430 | 850 | 890 | 2,5 | 1,3 | 414,0 |