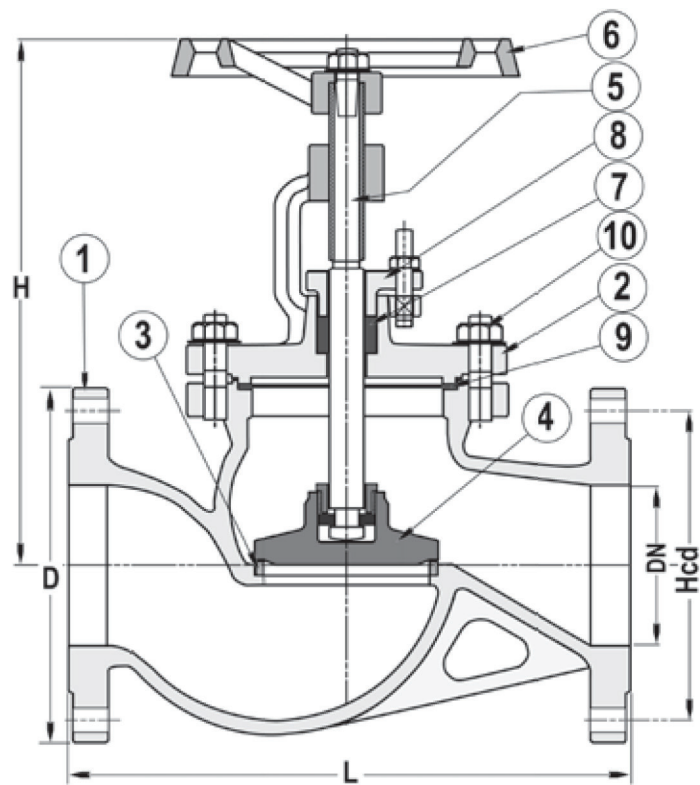




Stop Valve Flanged Straight GG25

Model/Ref: 467052-467051

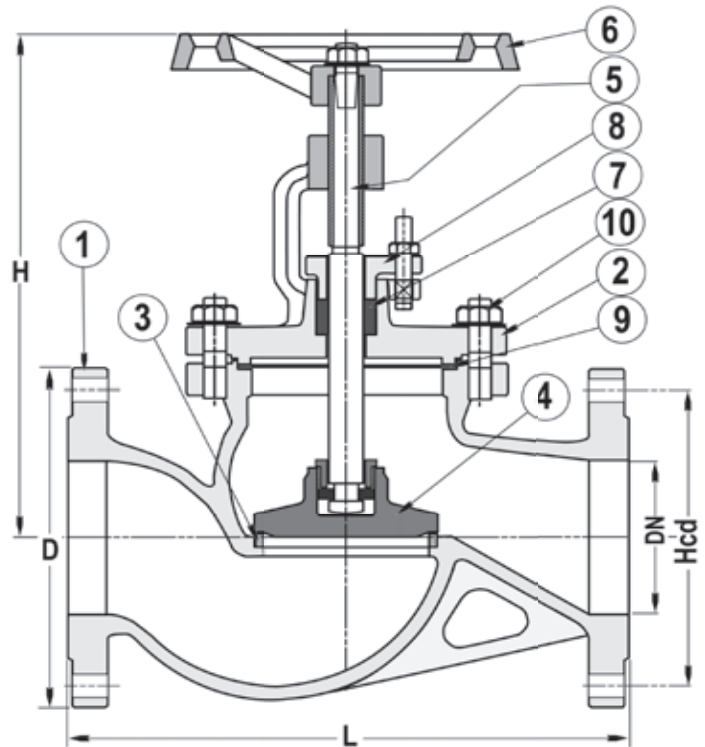


*Partnership.
Without Limits.*

www.lauridsenindustri.com

Stop Valve Flanged Straight GG25

No	Part	Material
1	Body	Cast iron GG25
2	Bonnet	Cast iron GG25
3	Seat ring	Bronze Rg5
4	Disc	Bronze Rg5
5	Stem	Special brass
6	Handwheel	Cast iron
7	Glandpacking	Graphite
8	Gland	Cast iron GG25
9	Gasket	Superkev
10	Bolt/Nut	Steel, zincplated


Variants:

S.D.N.R. = Non-return disc

R = Parabolic disc

SS = Stainless steel trim

Various actuators

DN200-300 available PN16

Other dimensions/materials on request

DN	D	n x Ød	Hcd	L	H	Max working-pressure		Weight Kg
						Mpa 120 °C	Mpa 225 °C	
15	95	4x14	65	130	165	1,6	1,0	3,8
20	105	4x14	75	150	165	1,6	1,0	4,0
25	115	4x14	85	160	180	1,6	1,0	5,0
32	140	4x18	100	180	180	1,6	1,0	7,0
40	150	4x18	110	200	215	1,6	1,0	11
50	165	4x18	125	230	230	1,6	1,0	13
65	185	4x18	145	290	245	1,6	1,0	18
80	200	8x18	160	310	295	1,6	1,0	23
100	220	8x18	180	350	325	1,6	1,0	35
125	250	8x18	210	400	360	1,6	1,0	53
150	285	8x22	240	480	425	1,6	1,0	75
467051 PN10								
200	340	8x22	295	600	505	1,0	0,6	135
250	395	12x22	350	730	625	1,0	0,6	215
300	445	12x22	400	850	690	1,0	0,6	305
350	505	16x22	460	980	755	1,0	0,6	405
400	565	16x22	515	1100		1,0	0,6	550