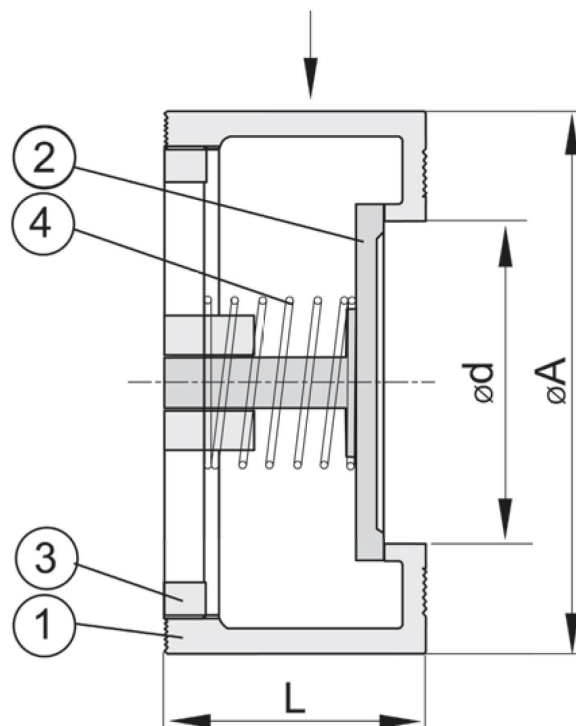




**Disc Check Valve PN 25
Wafer Straight AISI 316**

Model/Ref: 473093

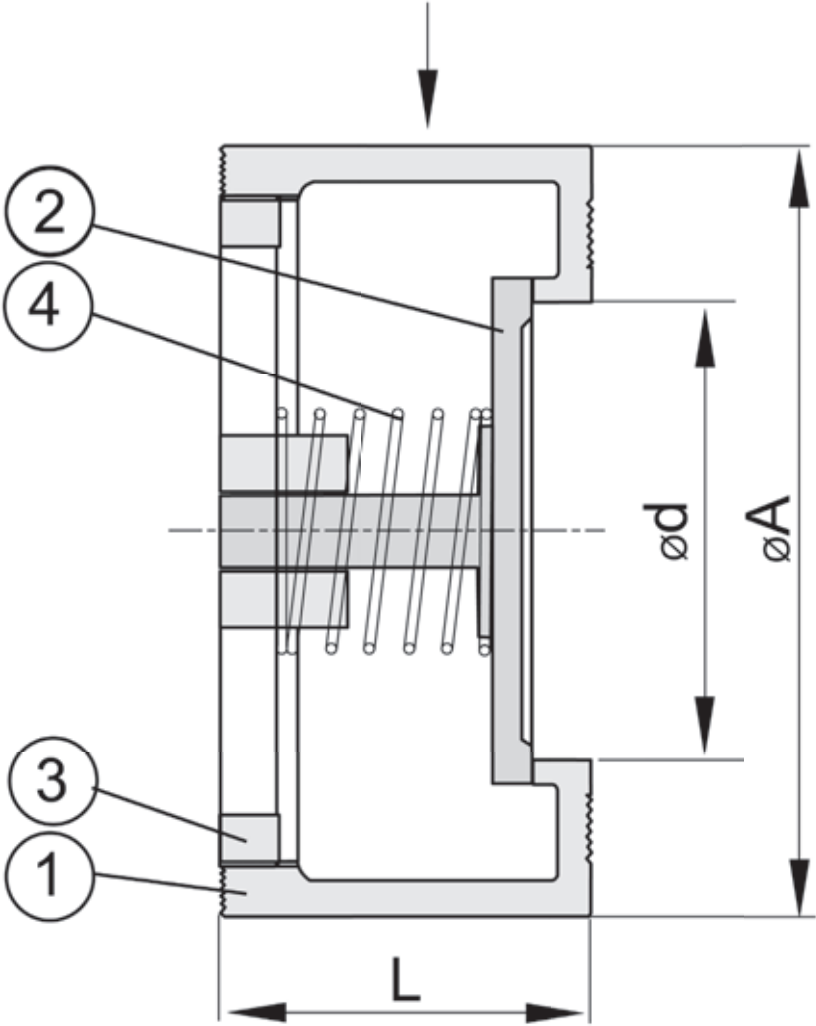


*Partnership.
Without Limits.*

www.lauridsenindustri.com

Disc Check Valve PN 25 Wafer Straight AISI 316

No	Part	Material
1	Body	AISI 316
2	Disc	AISI 316
3	Cap	AISI 320
4	Spring	AISI 316



Variants:
 Material Bronze
 Other dimensions/materials on request

DN	A	L	d	Max working-pressure		Weight Kg
				Mpa 100 °C	Mpa °C	
125	187	90	105	2,5		7,4
150	217	105	130	2,5		10,4
200	273	140	170	2,5		17,4