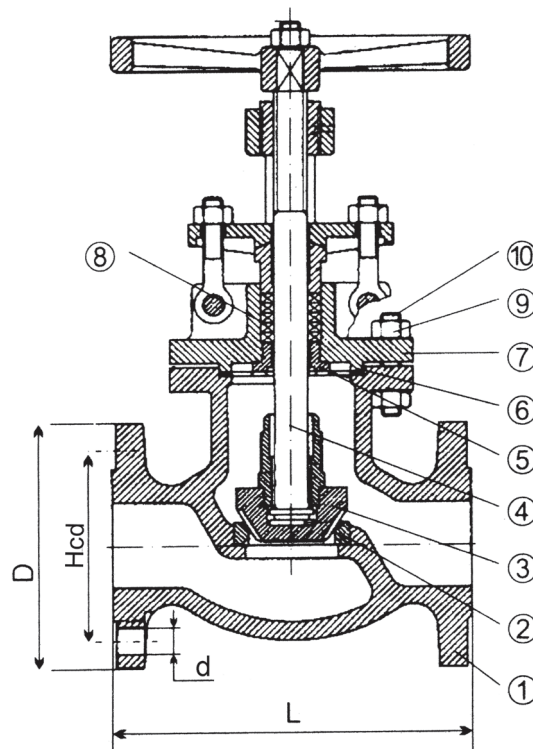




## Globe Valve ANSI 300 Flange Straight WCB

Model/Ref: 467068



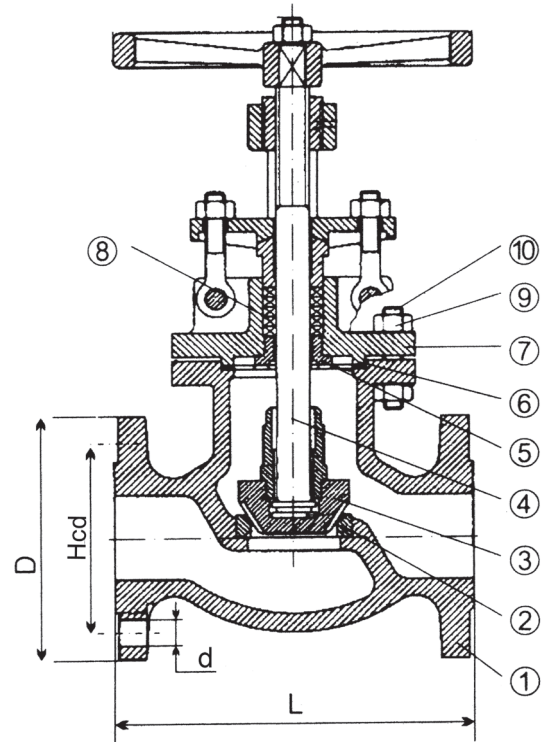
*Partnership.  
Without Limits.*

[www.lauridsenindustri.dk](http://www.lauridsenindustri.dk)

**Globe Valve ANSI 300 Flange Straight WCB**

| No | Part      | Material      |
|----|-----------|---------------|
| 1  | Body      | A216 WCB      |
| 2  | Seat ring | A105 + 13% Cr |
| 3  | Disc      | A105 + 13% Cr |
| 4  | Stem      | A182 F6a      |
| 5  | Backseat  | A182 F6a      |
| 6  | Gasket    | Graphite      |
| 7  | Bonnet    | A216 WCB      |
| 8  | Packing   | Graphite      |
| 9  | Stud nut  | A 194 2H      |
| 10 | Stud      | A193 B7       |

Variants:



Other dimensions/materials on request

| DN  | D   | n  | Hcd | d  | L   | Max working-pressure Mpa |        | Weight Kg |
|-----|-----|----|-----|----|-----|--------------------------|--------|-----------|
|     |     |    |     |    |     | -29 to 38 °C             | 400 °C |           |
| 50  | 165 | 8  | 127 | 18 | 267 | 5,1                      | 4,51   | 34,0      |
| 65  | 191 | 8  | 149 | 23 | 298 | 5,1                      | 4,51   | 45,0      |
| 80  | 210 | 8  | 168 | 23 | 318 | 5,1                      | 4,51   | 60,0      |
| 100 | 254 | 8  | 200 | 23 | 356 | 5,1                      | 4,51   | 95,0      |
| 125 | 279 | 8  | 235 | 22 | 400 | 2,0                      | 1,58   |           |
| 150 | 318 | 12 | 270 | 23 | 445 | 5,1                      | 4,51   | 200,0     |
| 200 | 381 | 12 | 330 | 26 | 559 | 5,1                      | 4,51   | 315,0     |
| 250 | 445 | 16 | 387 | 30 | 622 | 5,1                      | 4,51   | 458,0     |
|     |     |    |     |    |     |                          |        |           |
|     |     |    |     |    |     |                          |        |           |
|     |     |    |     |    |     |                          |        |           |
|     |     |    |     |    |     |                          |        |           |
|     |     |    |     |    |     |                          |        |           |