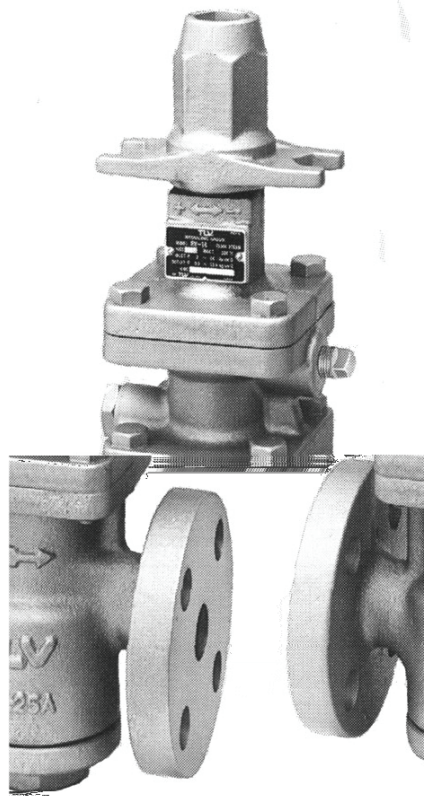




## Steam Valve PN 16 Flange Straight GGG40.3

Model/Ref: 920302



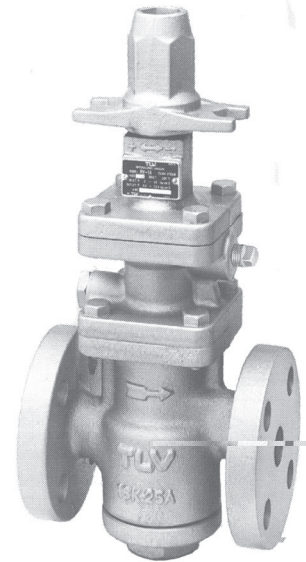
*Partnership.  
Without Limits.*

[www.lauridsenindustri.com](http://www.lauridsenindustri.com)

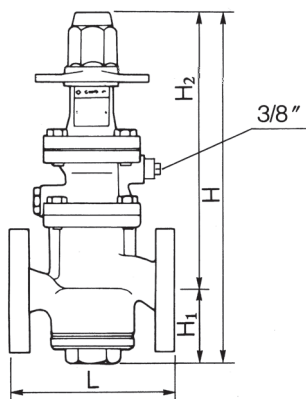
## Steam Valve PN 16 Flange Straight GGG40.3

### Technologically advanced fluid control valve.

1. The patented self-aligning and shockabsorbing spherical piston holds the set pressure within  $\pm 0,1$  bar.
2. The valve is unaffected by varying primary pressure and fluctuating flow rates.
3. Major internal components of stainless steel.
4. Wide pressure range and large capacity.
5. Internal primary and secondary pressure sensing channels make external sensing lines unnecessary for most applications.



<b>Model</b>	<b>COSR-3</b>
Connection	Flanged
Size	DN20-DN50
Body material	Ductile Cast iron (GGG 40,3)
Operating Pressure (barg)	1-3
Maximum Operating Temperature (°C)	-
Pressure Adjustment Range (barg)	0,1-0,5
Maximum Reduction Ratio	-
Minimum Adjustable Flow Rate	5% of rated flow rate



Flang Standard DIN 2501 PN 25/40.  
 Other Flange Standards available

DN	L	H	H1	H2	Weight kg
20	150	367	72	295	11
25	160	360	75	285	13
32	180	395	86	309	19
40	200	395	80	315	20
50	230	425	100	325	22