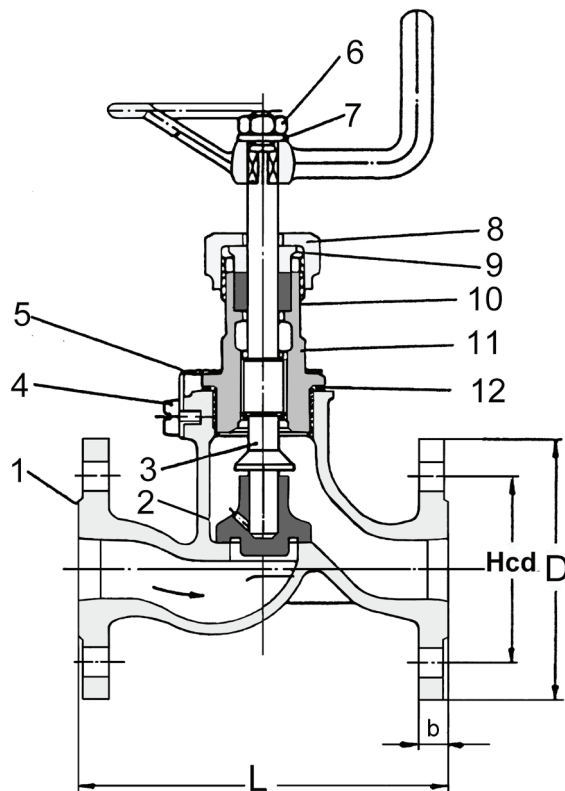




Globe Valve PN 25 Flange Straight CuSn10

Model/Ref: 850333



*Partnership.
Without Limits.*

www.lauridsenindustri.dk

Globe Valve PN 25 Flange Straight CuSn10

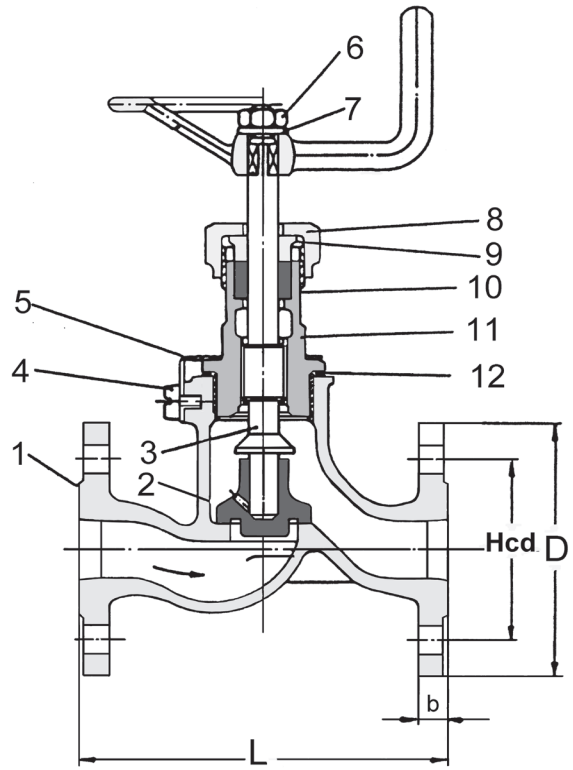
No	Part	Material
1	Body	Zincfree Bronze Cu Sn 10
2	Disc	Zincfree Bronze Cu Sn 10
3	Stem	Cu Sn 8
4	Cylinder screw	Cu Sn 6 F35
5	Safety plate	Steel, zincplated
6	Nut	Cu Sn 6 F35
7	Washer	Cu Sn 8
8	Bonnet nut	Cu Sn 35 Ni
9	Gland	Cu Sn 8
10	Gland packing	PTFE
11	Bonnet	Zincfree Bronze Cu Sn 10
12	Packing	It Mo

Variants:

S.D.N.R. = Non return disc

Soft sealed

Other dimensions/materials on request



DN	D	n	Hcd	d	b	L	Max working-pressure		Weight Kg
							Mpa	Mpa	
20	86	4	62	M10	10	120	2,5		2,1
25	92	4	68	M10	10	130	2,5		2,3
32	100	6	76	M10	10	140	2,5		3,1