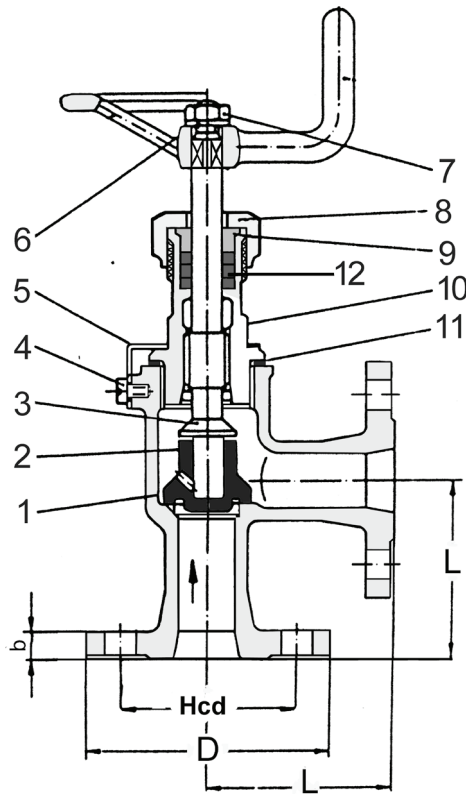




Globe Valve PN 25 Flange Angle CuSn10

Model/Ref: 850343

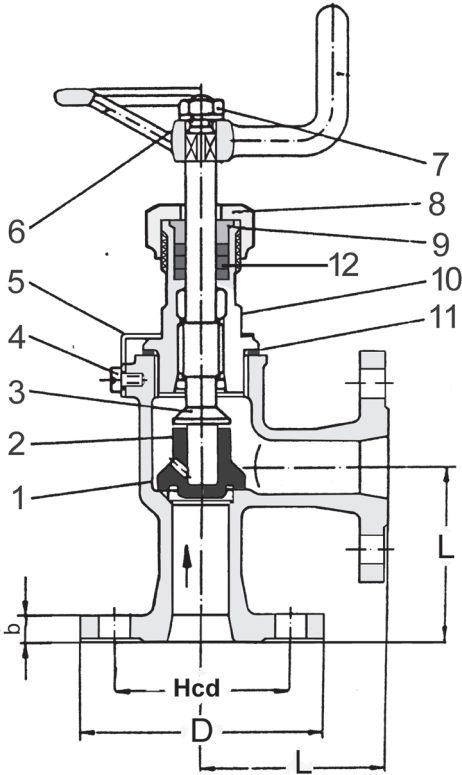


*Partnership.
Without Limits.*

www.lauridsenindustri.dk

Globe Valve PN 25 Flange Angle CuSn10

No	Part	Material
1	Body	Zincfree Bronze Cu Sn 10
2	Disc	Zincfree Bronze Cu Sn 10
3	Stem	Cu Sn 8
4	Cylinder screw	Cu Sn 6 F35
5	Safety plate	Steel, zincplated
6	Washer	Cu Sn 8
7	Nut	Cu Sn 6 F35
8	Bonnet nut	Cu Sn 35 Ni
9	Gland	Cu Sn 8
10	Bonnet	Zincfree Bronze Cu Sn 10
11	Packing	It Mo
12	Gland packing	PTFE


Variants:

S.D.N.R. = Non return disc

Soft sealed

Other dimensions/materials on request

DN	D	n	Hcd	d	b	L	Max working-pressure		Weight Kg
							Mpa	Mpa	
20	86	4	62	M10	10	65	2,5	2,5	2,0
25	92	4	68	M10	10	70	2,5	2,5	2,5
32	100	6	76	M10	10	75	2,5	2,5	3,5