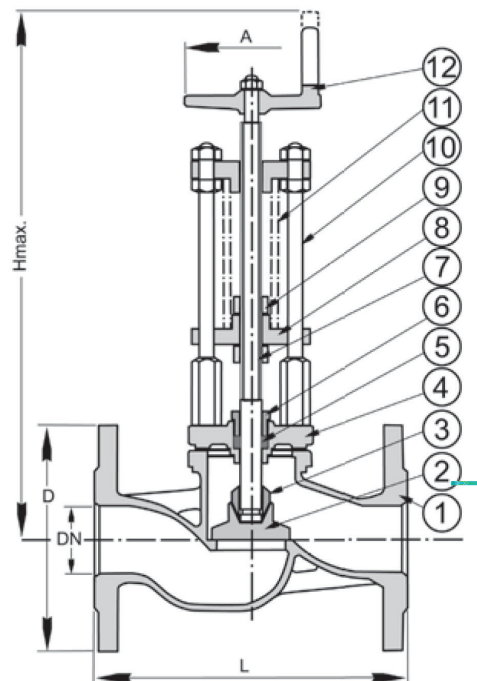




**Overboard Valve PN 16  
Flange Straight Bronze**

Model/Ref: 454022

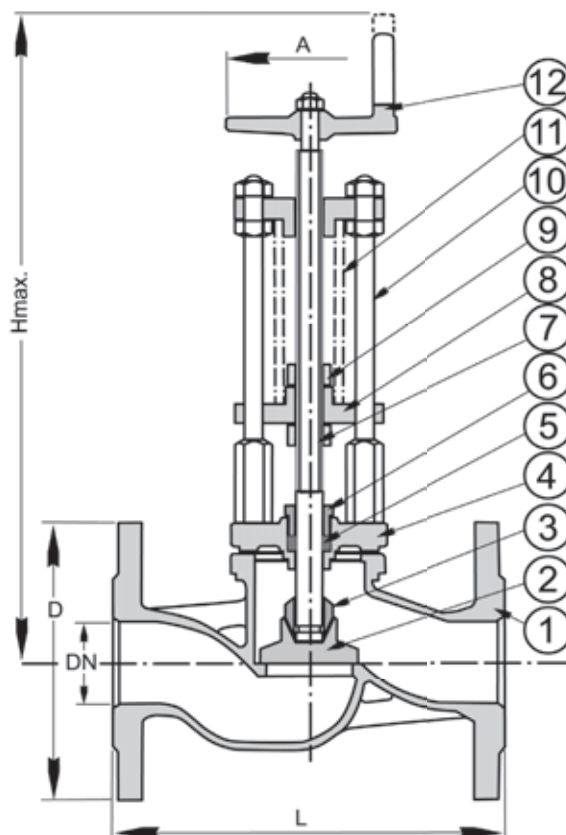


*Partnership.  
Without Limits.*

[www.lauridsenindustri.com](http://www.lauridsenindustri.com)

**Overboard Valve PN 16 Flange Straight Bronze**

No	Part	Material
1	Body	Gunmetal LG2
2	Disc	Gunmetal LG2
3	Disc nut	Special Brass
4	Bonnet	Gunmetal LG2
5	U-ring DN 15/50	Perbunan rubber
5	Packing DN 65-150	Synthetic fibre
6	Gland	Gunmetal LG2
7	Stem	Special Brass
8	Bridge	Gunmetal LG2
9	Nut	Special Brass
10	Pillar	Steel 230Mo7 Led
11	Spring	Spring steel Cr18Ni8
12	Handle	Gunmetal LG2


**Variants:**

Non return disc etc.

Other dimensions/materials on request

DN	D	L	L1	Hmax	Hlmax	A	Max working-pressure		Weight Kg
								Mpa 100 °C	
15	95	130	90	270	250	100		1,6	2,8
20	105	150	95	270	250	100		1,6	3,3
25	115	160	100	285	265	100		1,6	4,5
32	140	180	105	310	285	100		1,6	6,2
40	150	200	115	340	320	100		1,6	8,1
50	165	230	125	395	380	100		1,6	10,9
65	185	290	145	435	410	125		1,6	15,2
80	200	310	155	480	440	125		1,6	21,0
100	220	350	175	510	465	125		1,6	28,0
125	250	400	200	600	550	125		1,6	42,0
150	285	480	225	660	595	200		1,6	59,0