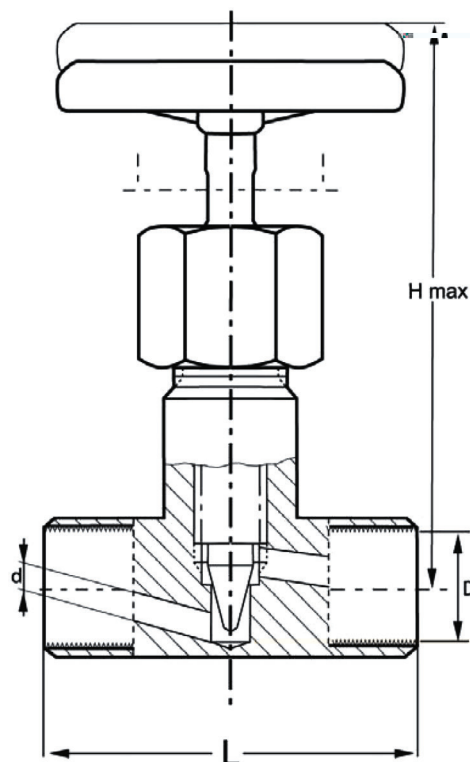




Needle Valve PN 100 Thread Straight Brass

Model/Ref: 460515

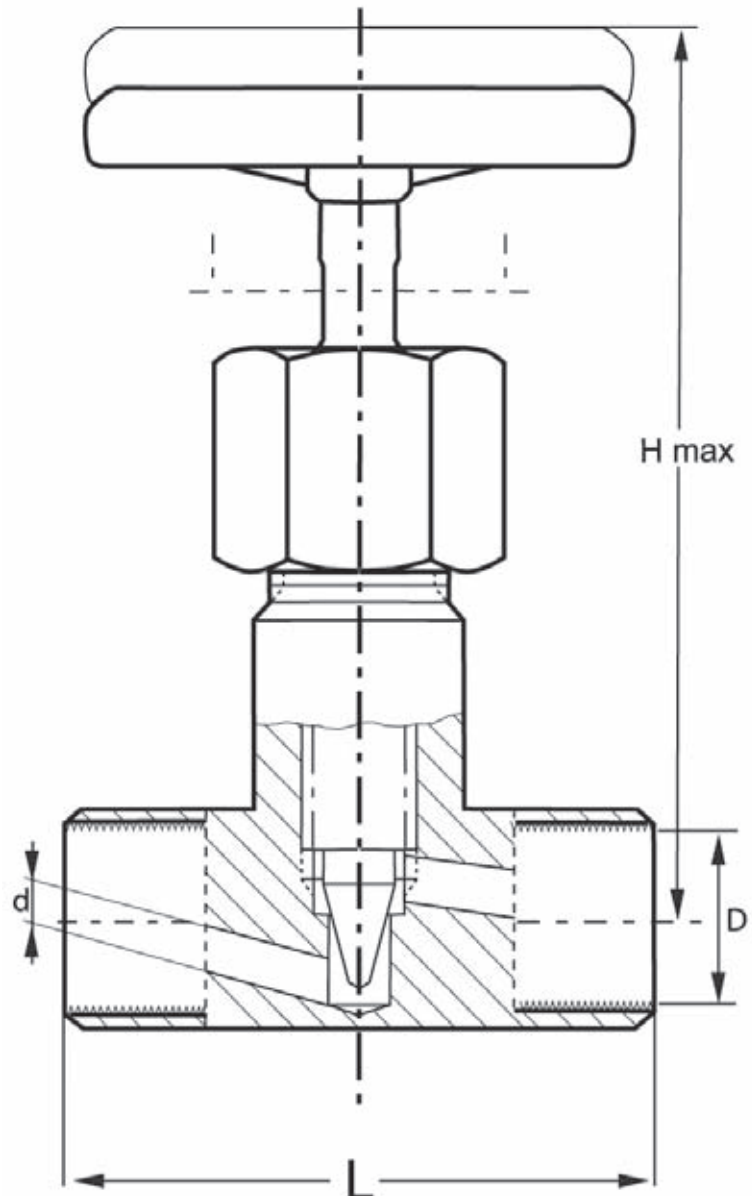


*Partnership.
Without Limits.*

www.lauridsenindustri.com

Needle Valve PN 100 Thread Straight Brass

No	Part	Material
1	Body	Brass CuZn39Pb3
2	Stem	Brass CuZn39Pb3
3	Glandpacking	Graphite
4	Gland	Brass CuZn39Pb3
5	Gland nut	Brass CuZn39Pb3
6	Handwheel	Pressed steel


Variants:

Locked gland nut

Other dimensions/materials on request

DN	D	d	L	Hmax	Max working-pressure		Weight Kg
					Mpa 100 °C	Mpa 185 °C	
8	1/4"	4	48	70	10,0	8,5	0,30
10	3/8"	5	54	75	10,0	8,5	0,30
15	1/2"	5	56	75	10,0	8,5	0,33