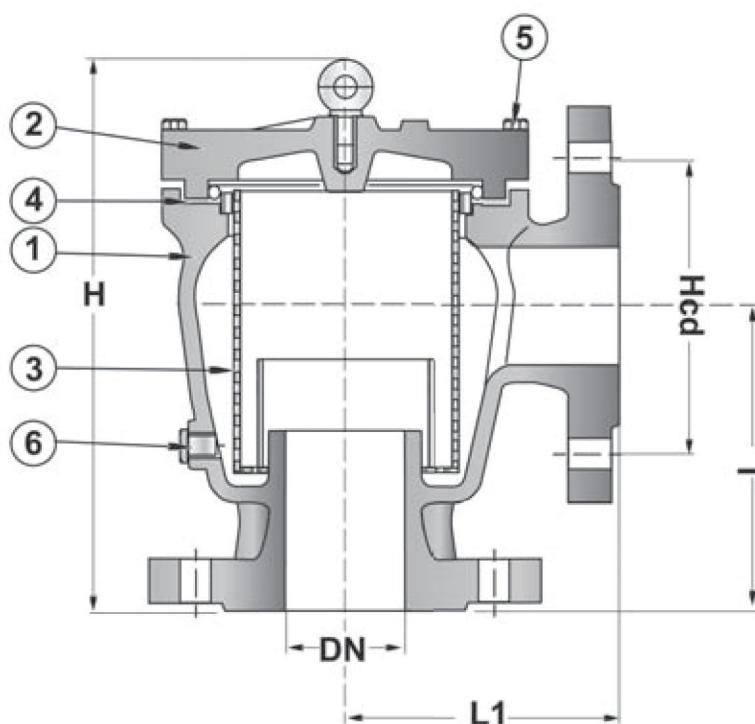




Mudbox PN 4 Flange Angle Bronze

Model/Ref: 482121

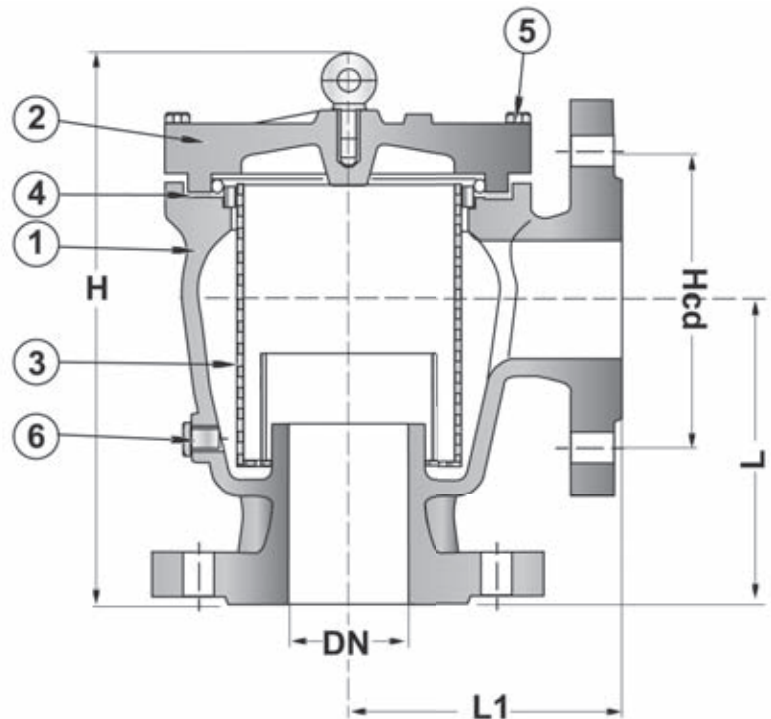


*Partnership.
Without Limits.*

www.lauridsenindustri.com

Mudbox PN 4 Flange Angle Bronze

No	Part	Material
1	Body	Bronze Rg5
2	Cover	Bronze Rg5
3	Basket	AISI 316 (1.4401)
4	Cover sealing	NBR
5	Stud bolts, nuts	Steel
6	Drain Plug	Brass


Variants:

Other mesh-sizes
 With test valve
 Other dimensions/materials on request

Standard Mesh-size:
 DN 40- 65 5x5 mm
 DN 80-500 8x8 mm

Flanges drilled according to PN10

DN	Inch	D	n x Ød	Hcd	L1/L2	H	Max working-pressure		Weight Kg
							Mpa	80 °C	
40	1½"	150	4x18	110	125	240	0,4		12,5
50	2"	165	4x18	125	135	260	0,4		17,5
65	2½"	185	4x18	145	150	280	0,4		20,0
80	3"	200	8x18	160	175	330	0,4		30,0
100	4"	220	8x18	180	195	350	0,4		42,5
125	5"	250	8x18	210	220	415	0,4		57,5
150	6"	285	8x22	240	270	470	0,4		78,0
200	8"	340	8x22	295	300	540	0,4		115,0
250	10"	395	12x22	350	390	660	0,4		166,0
300	12"	445	12x22	400	450	760	0,4		230,0
350	14"	505	16x22	460	400	730	0,4		274,0
400	16"	565	16x26	515	420/520	980	0,4		380,0
450	19"	670	20x26	565	625	980	0,4		615,0