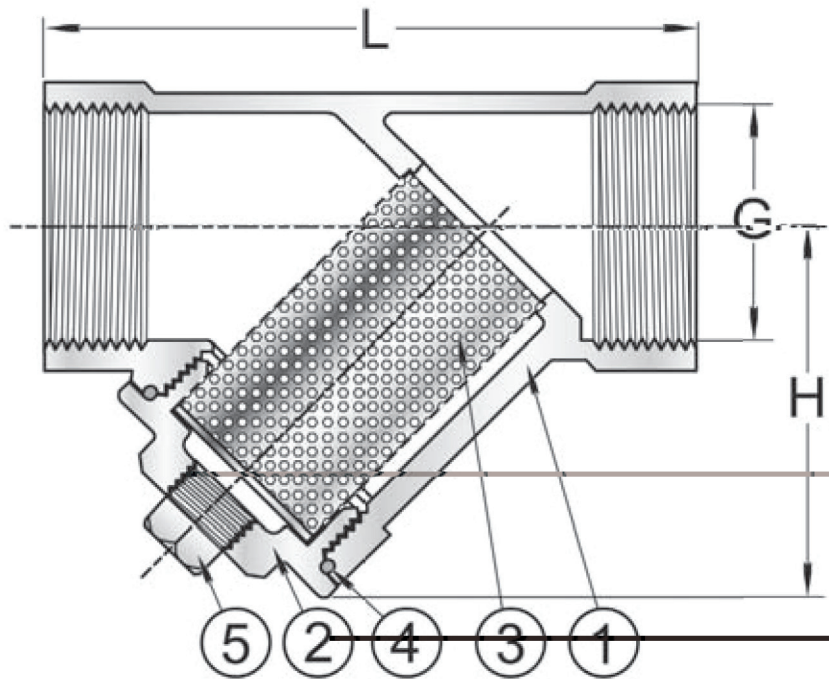




Sainers PN 40 Thread S raigh SS316

Model/Ref: 482294

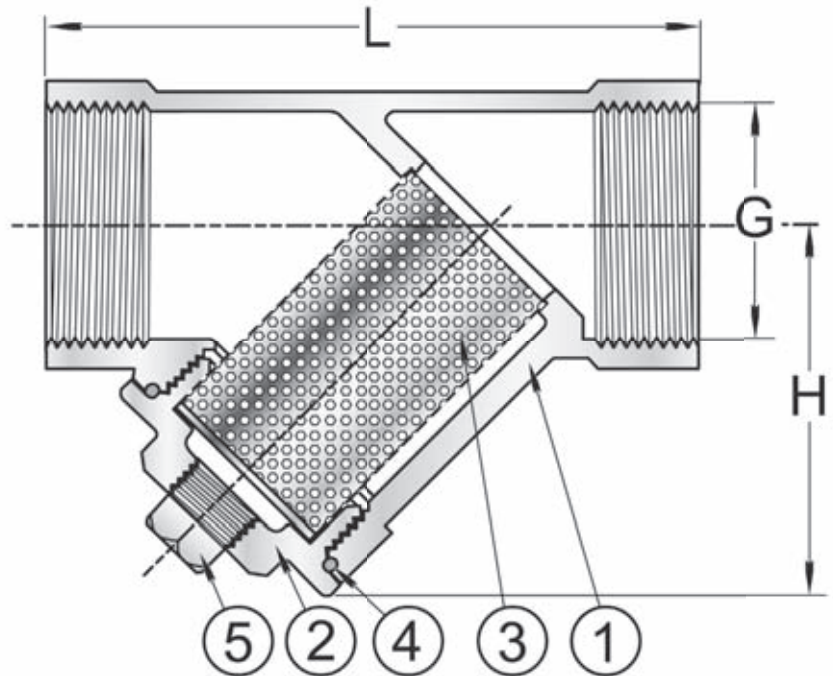


*Partnership.
Without Limits.*

www.lauridsenindustri.com

Sainers PN 40 Thread S raigh SS316

| No | Part | Material |
|----|----------|-----------------------|
| 1 | Body | Stainless steel SS316 |
| 2 | Cap | Stainless steel SS316 |
| 3 | Strainer | Stainless steel SS304 |
| 4 | Gasket | PTFE |
| 5 | Plug | Stainless steel SS316 |



Standard Mesh-size:
1 mm

Variants:

Other mesh-sizes

Other dimensions/materials on request

| DN | Inch | L | H | Max working-pressure | | Weight Kg |
|----|--------|-----|-----|----------------------|------------|-----------|
| | | | | Mpa 80 °C | Mpa 180 °C | |
| 8 | 1/4" | 57 | 32 | 4,0 | 2,9 | 0,3 |
| 10 | 3/8" | 57 | 32 | 4,0 | 2,9 | 0,3 |
| 15 | 1/2" | 61 | 37 | 4,0 | 2,9 | 0,3 |
| 20 | 3/4 | 70 | 41 | 4,0 | 2,9 | 0,3 |
| 25 | 1" | 86 | 47 | 4,0 | 2,9 | 0,3 |
| 32 | 1 1/4" | 100 | 54 | 4,0 | 2,9 | 0,3 |
| 40 | 1 1/2" | 111 | 62 | 4,0 | 2,9 | 0,3 |
| 50 | 2" | 138 | 76 | 4,0 | 2,9 | 0,3 |
| 65 | 2 1/2" | 172 | 91 | 4,0 | 2,9 | 0,3 |
| 80 | 3" | 205 | 110 | 4,0 | 2,9 | 0,3 |