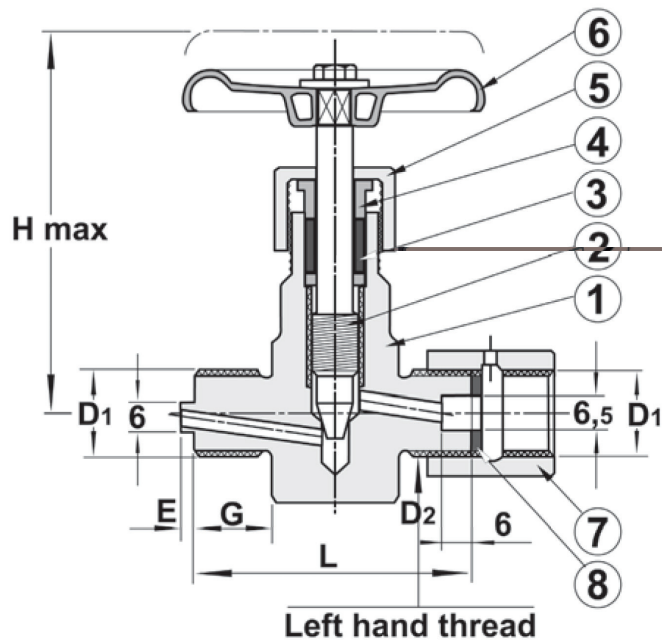




**Pressure Gauge Valve
PN 100 Thread Straight Brass**

Model/Ref: 490515

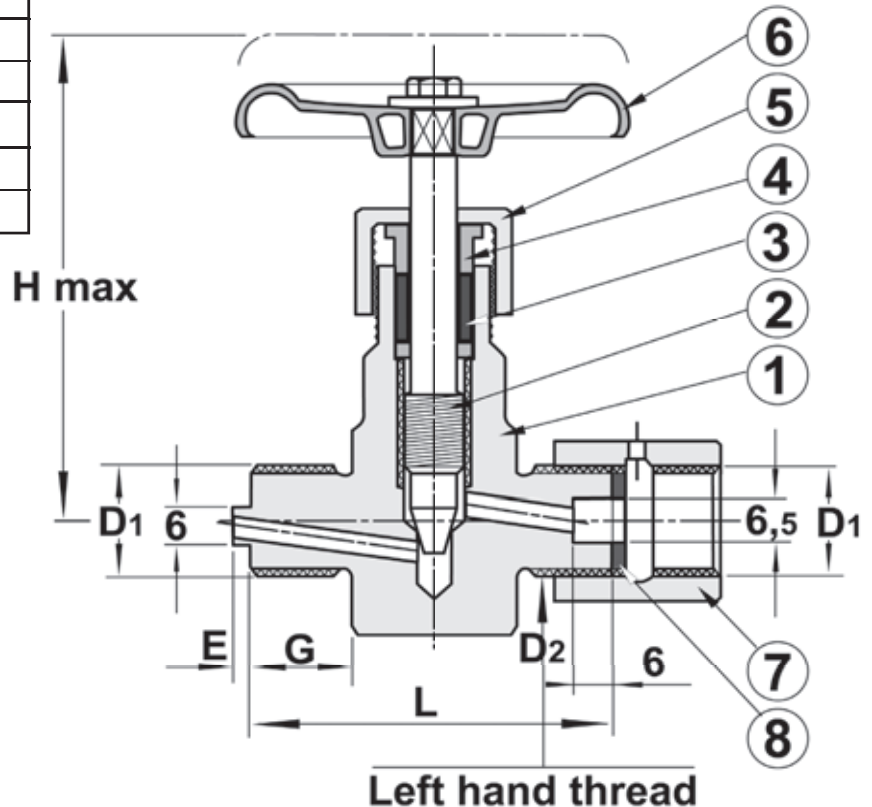


*Partnership.
Without Limits.*

www.lauridsenindustri.com

Pressure Gauge Valve PN 100 Thread Straight Brass

No	Part	Material
1	Body	Brass
2	Stem	Brass
3	Glandpacking	Graphite
4	Gland	Brass
5	Glandnut	Brass
6	Handwheel	Pressed steel
7	Nipple	Brass
8	Packing	Graphite


Application:

Locked gland nut
 Shutting off towards pressure gauge.
 Other materials on request.

DN	D1	D2	L	G	E	Hmax	Max working-pressure		Weight Kg
							Mpa 100 °C	Mpa 185 ° C	
8	G 1/4" B	G 1/4" BV	50	13	3	72	10,0	8,5	0,28
10	G 3/8" B	G 3/8" BV	54	15	3	72	10,0	8,5	0,31
15	G 1/2" B	G 1/2" BV	64	20	5	78	10,0	8,5	0,43