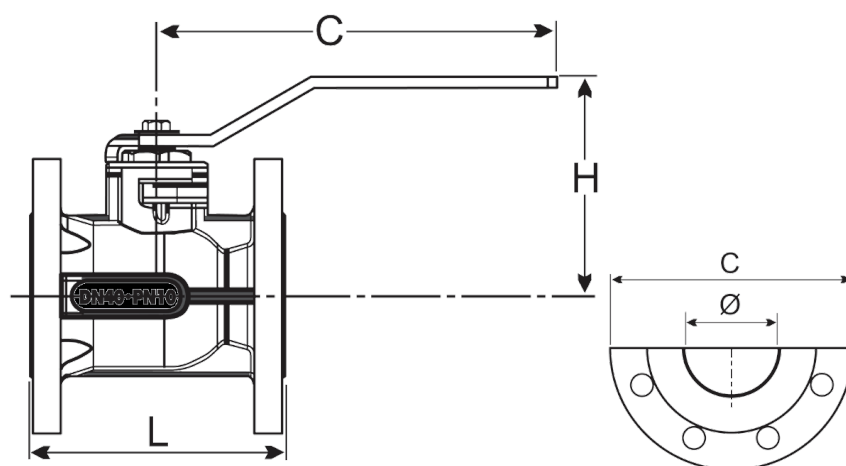




Ball Valve PN 16/10 Flange Straight GG25

Model/Ref: 445152

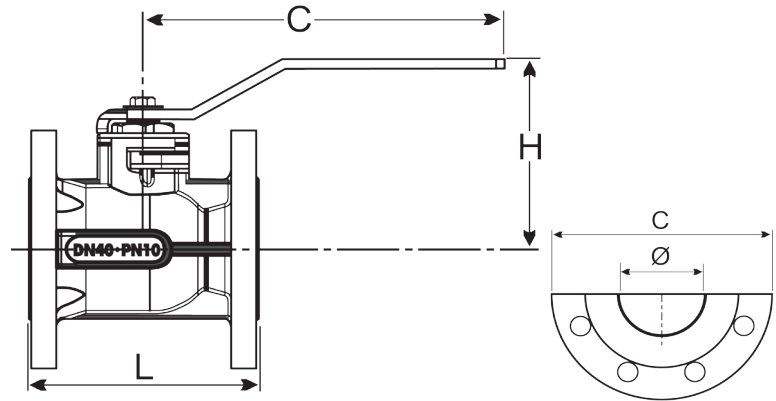


*Partnership.
Without Limits.*

www.lauridsenindustri.com

Ball Valve PN 16/10 Flange Straight GG25

No	Part	Material
1	Body	Cast iron GG25
2	Ball	Hardchromed brass
3	Seating	PTFE
4	Stem	Hardchromed brass
5	Stem packing	NBR
6	Lever	Cast iron Fe360C


Variants:

Various actuators

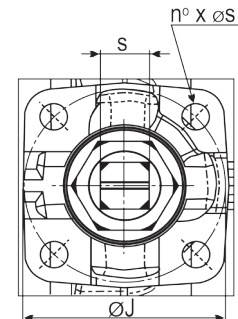
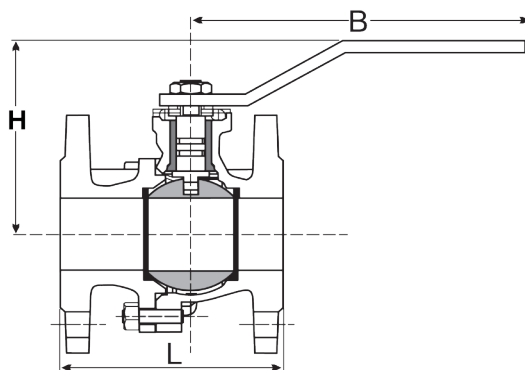
Seating Carbon filled PTFE

Ball Stainless steel SS304 or SS316

Stem in SS304

Other dimensions/materials on request

DN	L	H	C	B	Ø	Weight Kg
15	120	85	105	130	20	2,7
20	120	85	105	130	20	2,7
25	125	95	115	170	25	3,6
32	130	100	140	170	32	4,8



DN	L	H	B	ISO F	D	nxØs	ØJ	S	Weight Kg
40	149	125	230	05	7	4x7	50	14	7,5
50	150	135	230	05	7	4x7	50	14	9,0
65	170	143	230	05	7	4x7	50	14	10,5
80	180	165	280	07	9	4x9	70	17	15,5
100	190	180	360	07	9	4x9	70	17	18,5
125	200	225	450	10	11	4x11	102	22	28,0
150	210	243	560	10	11	4x11	102	22	38,5
200	-	320	1000	12	13	4x14	125	-	93,0
250	-	-	350	12	13	-	-	-	180,0