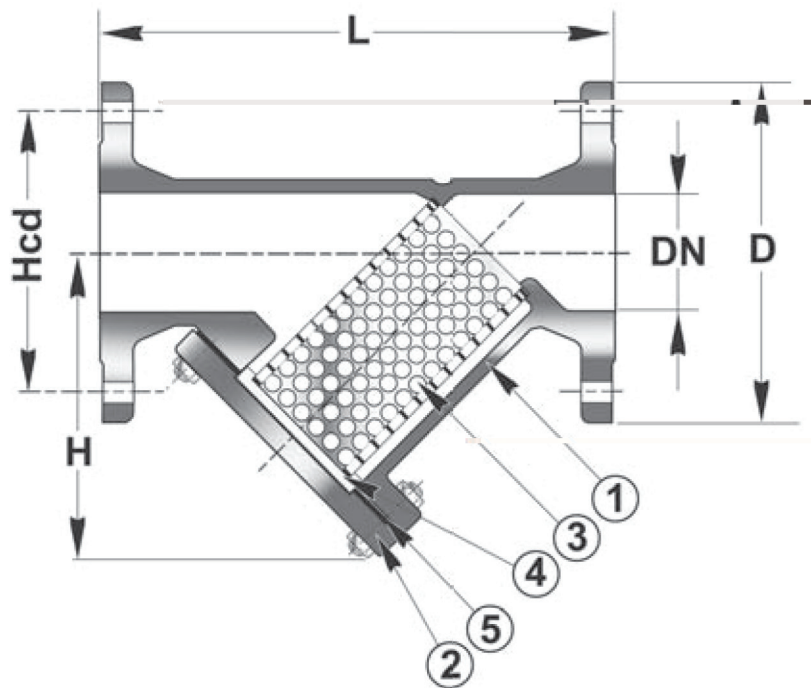


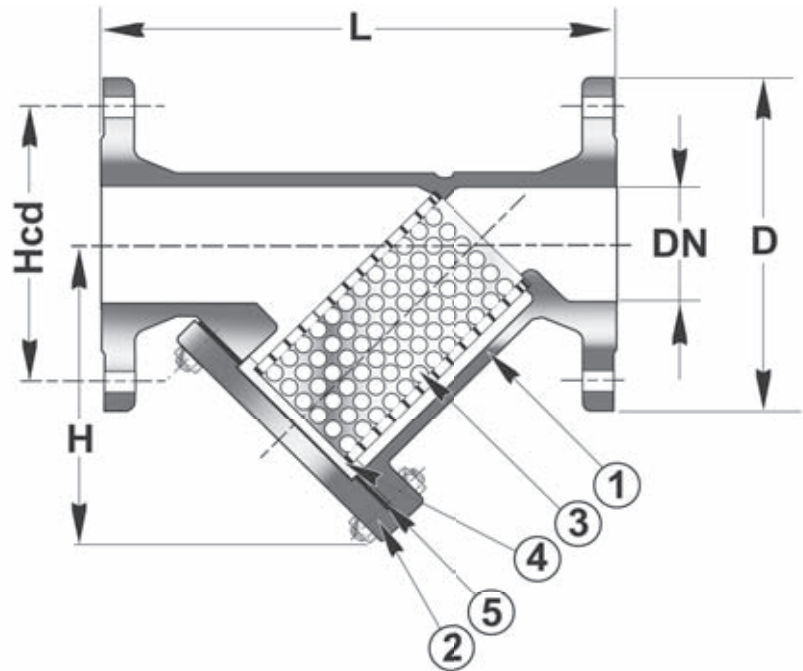


Model/Ref: 483464-483463



*Partnership.
Without Limits.*

No	Part	Material
1	Body	Cast steel GSC25
2	Cover	Cast steel GSC25
3	Strainer	Stainless steel SS304
4	Guide	Stainless steel SS304
5	Gasket	Graphite


Variants:

Other mesh-sizes

DN200-300 available PN40

Other dimensions/materials on request

Standard Mesh-size:

1 mm

DN	Inch	D	n x Ød	Hcd	L	H	Max working-pressure		Weight Kg
							Mpa 200 °C	Mpa 300 °C	
15	½"	95	4x14	65	130	65	4,0	2,8	3,5
20	¾"	105	4x14	75	150	65	4,0	2,8	3,6
25	1"	115	4x14	85	160	70	4,0	2,8	4,6
32	1¼"	140	4x18	100	180	80	4,0	2,8	5,4
40	1½"	150	4x18	110	200	90	4,0	2,8	7,8
50	2"	165	4x18	125	230	100	4,0	2,8	9,6
65	2½"	185	4x18	145	290	130	4,0	2,8	14,4
80	3"	200	8x18	160	310	135	4,0	2,8	20,0
100	4"	235	8x22	190	350	170	4,0	2,8	31,0
125	5"	270	8x26	220	400	205	4,0	2,8	49,0
150	6"	300	8x26	250	480	225	4,0	2,8	83,0
483463 PN25									
200	8"	360	12x26	310	600	260	2,5	1,7	134,0
250	10"	425	12x30	370	730	305	2,5	1,7	192,0
300	12"	485	16x30	430	850	525	2,5	1,7	274,0