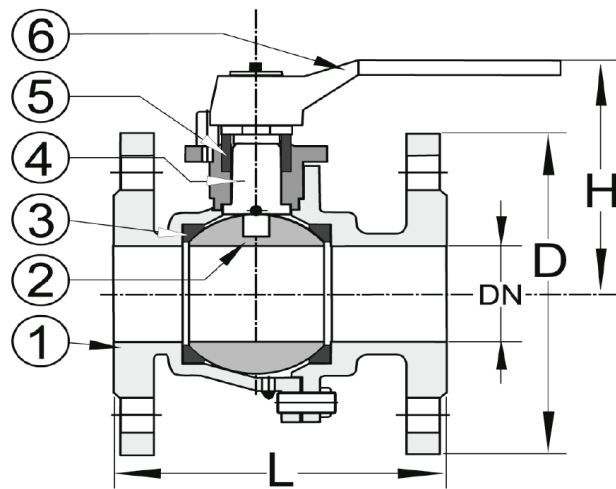




## Ball Valve PN 16 Flange Straight GSC25

Model/Ref: 445162

With ISO-top flange

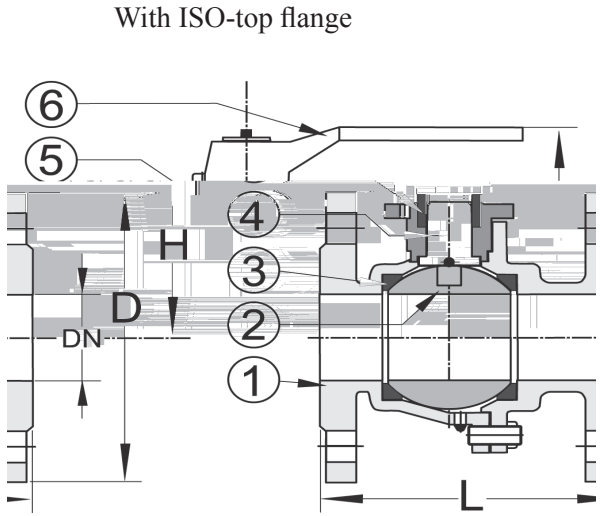


*Partnership.  
Without Limits.*

[www.lauridsenindustri.com](http://www.lauridsenindustri.com)

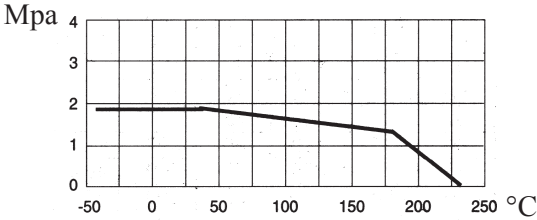
**Ball Valve PN 16 Flange Straight GSC25**

	Body	Cast steel GSC25
	Ball	Stainless steel SS304
	Seating	PTFE
	Stem	Stainless steel SS304
	Stem packing	PTFE
	Lever	Cast iron



:

Various actuators  
 Seating Carbon filled PTFE



Other dimensions/materials on request

	95	4	65	14	115	84			1,8
	105	4	75	14	120	84			2,6
	115	4	85	14	125	93			4,0
	140	4	100	18	130	102			5,3
	150	4	110	18	140	135			6,2
	165	4	125	18	150	145			9,0
	185	4	145	18	170	174			13,5
	200	8	160	18	180	188			17,2
	220	8	180	18	190	203			24,0
	250	8	210	18	325	247			46,0
	285	8	240	22	350	261			60,0
	340	8	295	22	400	400			150,0
	395	12	350	22	450	450			210,0