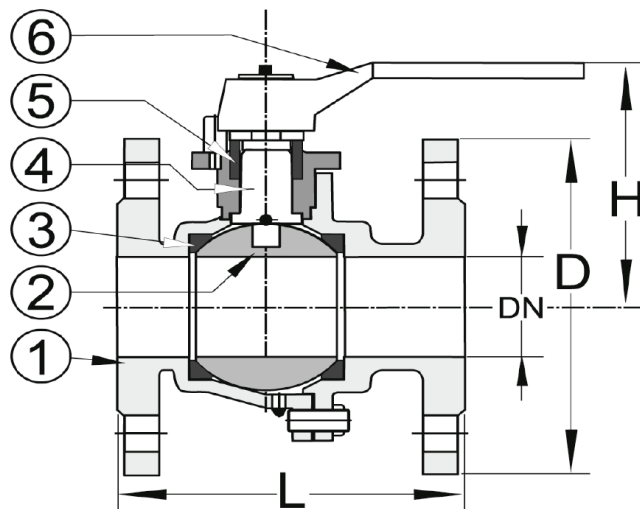




## Ball Valve PN 16 Flange Straight SS316

Model/Ref: 445192

With ISO-top flange



*Partnership.  
Without Limits.*

[www.lauridsenindustri.com](http://www.lauridsenindustri.com)

**Ball Valve PN 16 Flange Straight SS316**

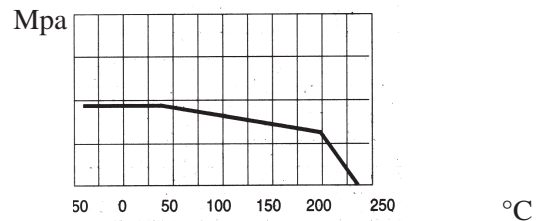
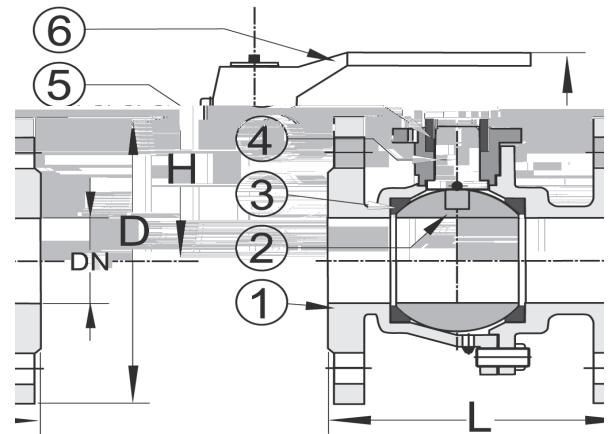
No	Part	Material
1	Body	Stainless steel SS316
2	Ball	Stainless steel SS316
3	Seating	PTFE
4	Stem	Stainless steel SS316
5	Stem packing	PTFE
6	Lever	Stainless steel SS304
7		
8		
9		
10		

**Variants:**

Various actuators  
 Seating Carbon filled PTFE  
 Fire safe approved

Other dimensions/materials on request

With ISO-top fange



DN	D	n	Hcd	d	L	H	Max working-pressure		Weight Kg
							acc. to above chart		
15	95	4	65	14	115	84			1,8
20	105	4	75	14	120	84			2,6
25	115	4	85	14	125	93			4,0
32	140	4	100	18	130	102			5,3
40	150	4	110	18	140	135			6,2
50	165	4	125	18	150	145			9,0
65	185	4	145	18	170	174			13,5
80	200	8	160	18	180	188			17,2
100	220	8	180	18	190	203			24,0
125	250	8	210	18	325	247			46,0
150	285	8	240	22	350	261			60,0
200	340	8	295	22	400	400			150,0
250	395	12	350	22	450	450			210,0