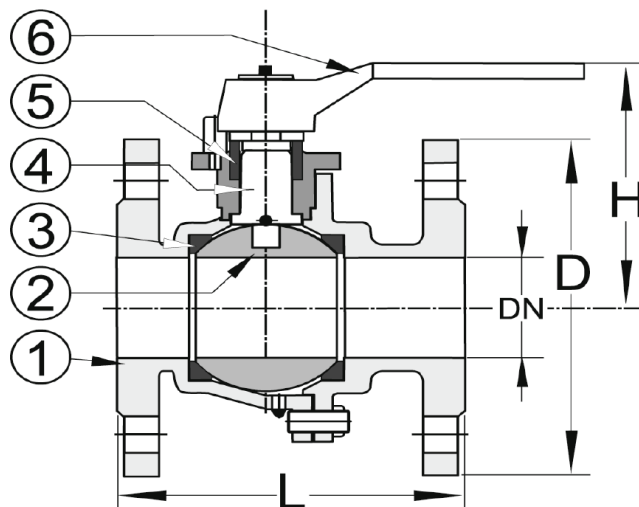




## Ball Valve PN 40 Flange Straight SS316

Model/Ref: 445194

With ISO-top flange

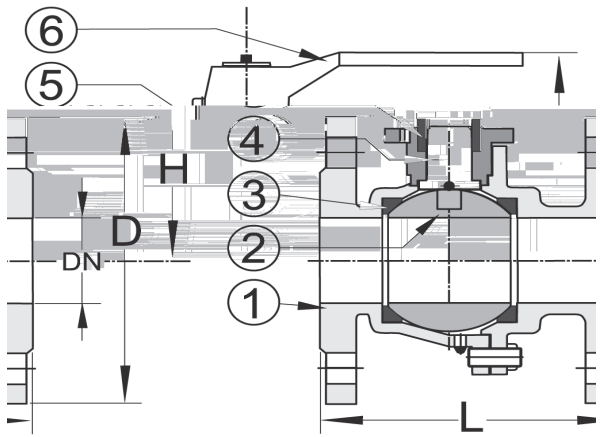


*Partnership.  
Without Limits.*

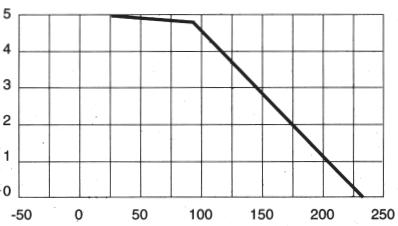
[www.lauridsenindustri.com](http://www.lauridsenindustri.com)

**Ball Valve PN 40 Flange Straight SS316**

No	Part	Material
1		
2		
3		
4		
5		
6		
7		
8		
9		
10		



Variants:



DN	D	n	Hcd	d	L	H	Max working-pressure		Weight Kg
							acc. to above chart		
15	95	4	65	14	115	84			2,2
20	105	4	75	14	120	84			3,0
25	115	4	85	14	125	93			4,3
32	140	4	100	18	130	102			5,8
40	150	4	110	18	140	135			6,9
50	165	4	125	18	150	145			11,0
65	185	8	145	18	170	174			16,0
80	200	8	160	18	180	188			21,0
100	235	8	190	22	190	203			40,0
125	270	8	220	26	325	247			60,0
150	300	8	250	26	350	261			100,0
200	360	12	320	30	400	400			178,0