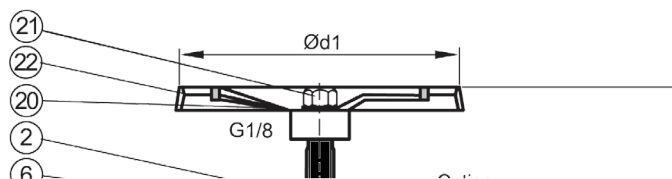




**Quick Closing Valve  
PN 16/10 Flange Angle GGG40.3**

Model/Ref: 567102-567101



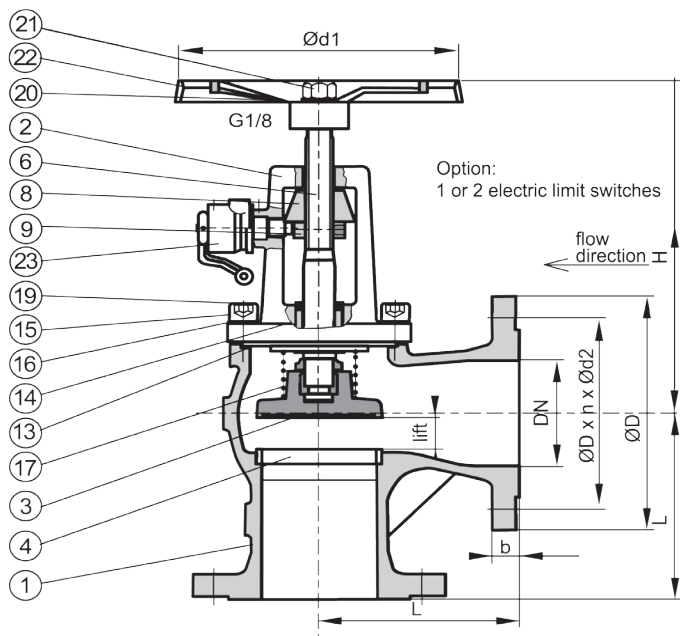
*Partnership.  
Without Limits.*

[www.lauridsenindustri.com](http://www.lauridsenindustri.com)

## Quick Closing Valve PN 16/10 Flange Angle GGG40.3

| No  | Part              | Material        |
|-----|-------------------|-----------------|
| 1   | Body              | GGG 40.3        |
| 2   | Bonnet            | GGG 40.3        |
| 3   | Cone              | 1.4021          |
| 4   | Seat              | 1.4301          |
| 6   | Stem              | 1.4021          |
| 8   | Square nut        | Steel           |
| 9   | Indicator         | Steel           |
| 13  | Gasket            | PTFE            |
| 14* | Groove ring       | Viton           |
| 15  | Stud bolt         | Steel           |
| 16  | Hex. nut          | Steel           |
| 17  | Spring            | Spring steel    |
| 19* | Mud stripper      | NBR             |
| 20  | Washer            | Spring steel    |
| 21  | Hex. nut          | Steel           |
| 22  | Hand Wheel        | GG-20           |
| 23  | Release mechanism | Stainless steel |

\*Recommended spare parts



**Variants:** Body and Bonnet in steel GS-C25

| DN                 | D   | n  | Hcd | d  | L   | Max working-pressure |            | Weight Kg |
|--------------------|-----|----|-----|----|-----|----------------------|------------|-----------|
|                    |     |    |     |    |     | Mpa 120 °C           | Mpa 180 °C |           |
| 15                 | 95  | 4  | 65  | 14 | 90  | 1,6                  | 1,0        | 4,3       |
| 20                 | 105 | 4  | 75  | 14 | 95  | 1,6                  | 1,0        | 5,8       |
| 25                 | 115 | 4  | 85  | 14 | 100 | 1,6                  | 1,0        | 6,0       |
| 32                 | 140 | 4  | 100 | 18 | 105 | 1,6                  | 1,0        | 11,2      |
| 40                 | 150 | 4  | 110 | 18 | 115 | 1,6                  | 1,0        | 12,9      |
| 50                 | 165 | 4  | 125 | 18 | 125 | 1,6                  | 1,0        | 15,3      |
| 65                 | 185 | 4  | 145 | 18 | 145 | 1,6                  | 1,0        | 29,7      |
| 80                 | 200 | 8  | 160 | 18 | 155 | 1,6                  | 1,0        | 34,0      |
| 100                | 220 | 8  | 180 | 18 | 175 | 1,6                  | 1,0        | 45,3      |
| 125                | 250 | 8  | 210 | 18 | 200 | 1,6                  | 1,0        | 57,0      |
| 150                | 285 | 8  | 240 | 22 | 225 | 1,6                  | 1,0        | 76,5      |
| <b>567101 PN10</b> |     |    |     |    |     |                      |            |           |
| 200                | 340 | 8  | 295 | 22 | 275 | 1,0                  | 0,6        | 165,0     |
| 250                | 395 | 12 | 350 | 22 | 325 | 1,0                  | 0,6        | 208,0     |